



### Advantages/Benefits

- ▶ When de-energized, outlet port exhausted or pressurized
- ▶ Body materials: brass, polyamide
- ▶ Fast response times
- ▶ Compact design

### Design/Function

Type 301 is available in a variety of different circuit functions for different applications.

When energized, the solenoid armature is drawn against a spring.

The flow path through the valve is dependent on the chosen circuit function. The solenoid epoxy encapsulation efficiently dissipates the heat generated by the coil.

### Applications

- Neutral gases and liquids
- Pneumatic control
- Vacuum
- Shut-off, dosing, filling and ventilating
- Small scale instruments, laboratory and measuring equipment
- Gas control, welding equipment

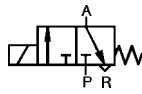
# 3/2-Way Miniature Solenoid Valve, Sub-base connection

# Type 301

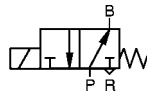
## Technical Data

### Circuit Function

**C** 3/2-way valve, when de-energized outlet port A exhausted



**D** 3/2-way valve, when de-energized outlet port B pressurized



### Body Material

Body and seat of brass  
Body and seat of polyamide

### Specifications

Orifice DN [mm]	Kv-Value Water [m <sup>3</sup> /h]	QNN-Value Air <sup>1)</sup> [l/min]	Pressure Range <sup>2)</sup> [bar]	Weight	
				threaded port [kg]	sub-base [kg]
1,2	0,045	48	0-10	-	0,09
1,6	0,060	65	0- 6	0,12	0,09

<sup>1)</sup> Measured with 6 bar upstream pressure and 1 bar pressure drop across the valve at +20 °C.

<sup>2)</sup> Also suitable for technical vacuum.

All pressures quoted are gauge pressures with respect to the prevailing atmospheric pressure.

### Operating Data (Valve)

#### Seal Materials/Fluids Handled/Temp.- Range

NBR Neutral fluids, e.g. compressed air, water, hydraulic oil, oils and fat without additives, town gas, -10 to +90 °C

For more detailed information please refer to resistance chart (Leaflet-No. 1896009).

Max. ambient temperature + 55 °C

Max. viscosity 21 mm<sup>2</sup>/s

Response times opening 12 ms  
closing 8 ms

Times measured at outlet A from switching on until pressure rise to 90 % / pressure drops to 10 % at a max. working pressure of 6 bar.

Port connection sub-base or manifold and G 1/8 banjo coupler for direct installation to remotely piloted valves

### Operating Data (Actuator)

Operating voltages 24, 230, 240 V/50 Hz  
12, 24 V/=

Voltage tolerance ±10 %

Power consumption AC 9 VA (inrush)  
6 VA/ 4 W (hold)  
DC 4 W or 2 W depending on version

Duty cycle 100% continuously rated for manifold assembly use reduced switch-on time or 2-W- version

Cycling rate up to 1000 c.p.m

Rating with cable plug, cable or lead IP 65

### Installation / Accessories

Installation as required, but preferably with solenoid system upright

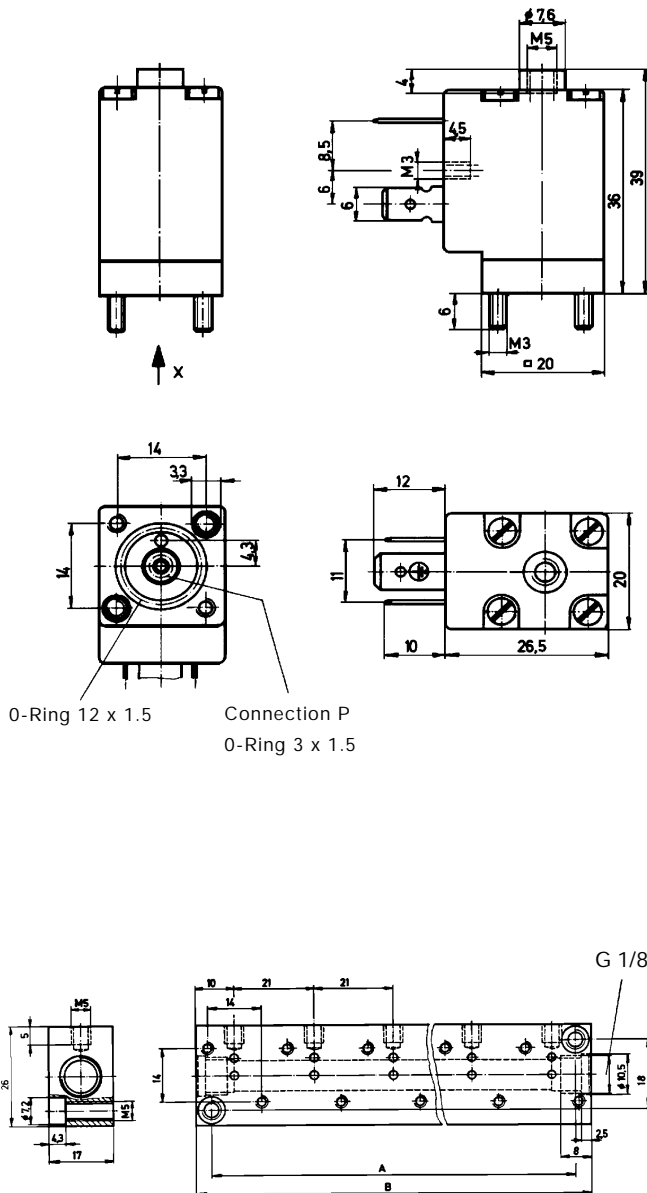
Electrical connection

- plug connection without cable plug (supplied as standard)
- moulded-in cable on request
- moulded-in flying leads 3 x 0,75 mm<sup>2</sup>, on request
- moulded-in flying leads 2 x 0,75 mm<sup>2</sup>, on request

# 3/2-Way Miniature Solenoid Valve, Sub-base connection

# Type 301

## Dimensions in mm



0-Ring 12 x 1.5  
Connection P  
0-Ring 3 x 1.5

## Connections

All illustrations in this data sheet show valves of circuit function C, using the connections P, R and A. These connections may vary with the circuit function D as indicated in the following overview.

Circuit Function	Connections		
C	P	R	A
D	R	P	B

i.e. the pressure port for circuit function D is located on the top of the valve.

## Multiple Manifold Assembly

The manifolds have a common pressure inlet P (R) for the pressure connection of Type 301-C or the exhaust connection of Type 301-D and an individual lateral outlet A (B) for each valve. Type 301-C may also be mounted together with Type 201 valves. They can however not be mounted with Type 301-D valves. The electrical connection can be either on the right or left of the manifold.

Manifolds may be coupled together using special push-fit O-ring connecting nipples for linking the pressure inlets P (R). Manifolds joined together in this way should be securely mounted.

## Order-Code for Manifold

Manifold	Hole Spacing		Order-No.
	A	B	
1 valve	12	20	005 312 T
2 valves	33	41	005 355 E
3 valves	54	62	005 313 U
4 valves	75	83	005 314 V
5 valves	96	104	005 315 W
6 valves	117	125	005 316 X
7 valves	138	146	005 893 K
8 valves	159	167	005 166 Z
9 valves	180	188	005 241 C
10 valves	201	209	005 819 Y
11 valves	222	230	005 242 D
12 valves	243	251	005 222 Z

## Order-Code for Accessories

Specification	Order-No.
Connector nipples with NBR-O-rings (8 x 1,25)	005 040 A
3-pin cable plug, IP 65 rating	005 377 C

# 3/2-Way Miniature Solenoid Valve, Sub-base connection

# Type 301

## Ordering Chart (Other Versions on Request)

Circuit Function	Orifice DN [mm]	Flow Rate		Port Connection [ISO 228]	Pressure Range <sup>2)</sup> [bar]	Body Material	Seal Material	Weight [kg]	Voltage/ Frequency [V/Hz]	Order-No.						
		Water Kv-Value [m <sup>3</sup> /h]	Air <sup>1)</sup> Qn [l/min]													
C	1,0	0,030	33	Sub-base	0-7	Brass	NBR	0,09	024/=	086 514 F <sup>3)</sup>						
										054 627 X						
	1,2	0,045	48	Sub-base	0-10	PA	NBR	0,09	024/=	054 348 P						
										054 345 C						
										054 346 D						
										054 917 J						
										Brass	NBR	0,09	024/=	052 327 Y <sup>4)</sup>		
														042 974 X		
														045 239 H <sup>4)5)</sup>		
														044 450 G <sup>4)</sup>		
										024/50	045 137 K	110/50	052 326 X <sup>4)</sup>	042 999 Z		
															230/50	057 082 L
															240/50	054 915 Q
	1,6	0,060	65	Sub-base	0- 6	Brass	NBR	0,09	012/=							
															024/50	042 870 B
										110/50	054 032 N					
												230/50	057 597 M			
										240/50	061 554 V					
												PA	NBR	0,09	024/50	049 755 J
024/=										055 941 T						
											110/50	066 853 W				
230/50										056 437 K						
											240/50	086 486 C				
G 1/8	0- 6	Brass	NBR	0,175	024/=	062 240 P <sup>6)</sup>										
						230/50	044 141 W <sup>6)</sup>									
D	1,6	0,060	65	Sub-base	0- 4			Brass	NBR	0,06	024/=	062 407 U				

<sup>1)</sup> Measured with 6 bar upstream pressure and 1 bar pressure drop across the valve at +20 °C,  
<sup>2)</sup> also suitable for vacuum, <sup>3)</sup> 2-W power consumption, <sup>4)</sup> available with manual override,  
<sup>5)</sup> 3 moulded-in PVC-single strands 0.75 mm<sup>2</sup>, length 300 mm, <sup>6)</sup> Pilot valve mounted to banjo-coupler.

DTS 1000010923 EN Version: A Status: RL (released | freigegeben | validé) printed: 09.01.2025