



2/2-way solenoid valve for neutral media

- Compact 2 to 8-part distributor or collector block solution, stackable
- Stable plastic body with robust brass connection
- Ready-for-installation delivery for fast start-up
- Optional with energy-saving Kick and Drop coil
- Ex variants available on request



Product variants described in the data sheet may differ from the product presentation and description.

Type description

The Type 0287 is a servo-assisted 2/2-way valve. The modular stackable valve can be obtained as a distributor or collector variant in DN 13. It is suitable for neutral media, such as compressed air or water.

Table of contents

1. General technical data	3
2. Circuit functions	3
3. Approvals and conformities	4
3.1. General notes	4
3.2. Conformity	4
3.3. Standards	4
3.4. Explosion protection.....	4
3.5. North America (USA/Canada)	4
4. Materials	5
4.1. Bürkert resistApp.....	5
4.2. Material specifications	5
Standard variant collector	5
Standard variant distributor	5
5. Dimensions	6
5.1. Standard variant.....	6
6. Performance specifications	6
6.1. Power consumption	6
7. Ordering information	7
7.1. Bürkert eShop	7
7.2. Bürkert product filter	7
7.3. Bürkert Product Enquiry Form	7
7.4. Ordering chart	8
Standard variant distributor	8
7.5. Ordering chart accessories.....	8
Cable plug Type 2518, form A according to DIN EN 175301 - 803	8

1. General technical data

Product properties	
Dimensions	Further information can be found in chapter "5. Dimensions" on page 6.
Material	
Connection	Brass
Seal	FKM
Body	PPE/Polyamide
Housing cover	PPE/Polyamide
Valve inner parts	Stainless steel, brass
Orifice	DN 13
Switching function	A Further information can be found in chapter "2. Circuit functions" on page 3.
Thermal insulation class of solenoid	Polyamide coil class B Epoxy coil class H
Performance data	
Duty cycle	100 % continuous operation
Switching time ¹⁾	0.1...0.5 seconds (depending on differential pressure)
Electrical data	
Operating voltage	24 V DC, 24 V 56 Hz, 230 V 56 Hz
Voltage tolerance	± 10 %
Medium data	
Operating medium	Neutral gases and liquids (e.g. compressed air, water)
Medium temperature	0 °C...+ 70 °C
Product connections	
Electrical connection	Plug contacts according to DIN EN 175301 - 803 form A for cable plug Type 2518 ▶. Further information can be found in chapter "Cable plug Type 2518, form A according to DIN EN 175301 - 803" on page 8.
Approvals and conformities	
Degree of protection	IP65 with cable plug, cable connection and terminal box
Directive	CE, EAC
Explosion protection	Further information can be found in chapter "3.4. Explosion protection" on page 4.
North America (USA/Canada)	Further information can be found in chapter "3.5. North America (USA/Canada)" on page 4.
Environment and installation	
Installation position	As required, preferably with actuator upright
Ambient temperature	Max. + 55 °C

1.) Measurement at + 20 °C, 6 bar at the valve outlet, opening: pressure build-up 0...90 %, closing: pressure reduction 100...10 %

2. Circuit functions

Note:

CF B, normally open on request

Symbol	Description
	Circuit function A (CF A) 2/2-way solenoid valve Servo-controlled Normally closed

DTS 1000551788 EN Version: C Status: RL (released | freigegeben | valide) printed: 13.02.2026

3. Approvals and conformities

3.1. General notes

- The approvals and conformities listed below must be stated when making enquiries. This is the only way to ensure that the product complies with all required specifications.
- Not all available variants can be supplied with the below mentioned approvals or conformities.



3.2. Conformity

In accordance with the Declaration of Conformity, the product is compliant with the EU Directives.

3.3. Standards

The applied standards which are used to demonstrate compliance with the EU Directives are listed in the EU-Type Examination Certificate and/or the EU Declaration of Conformity.




3.4. Explosion protection

Approval	Description					
 	<p>Optional: Explosion protection according to category 2 (zone 1/21)</p> <p>Ex marking of the components according to the following table:</p>					
	<table border="1"> <thead> <tr> <th colspan="2">Coil Type AC10</th> </tr> <tr> <th>Coils with cable outlet</th> <th>Coils with terminal box</th> </tr> </thead> <tbody> <tr> <td> <p>ATEX:</p> <p>EPS 18 ATEX 1232 X II 2G Ex mb IIC T4 Gb II 2D Ex mb IIIC T130 °C Db</p> <p>IECEX:</p> <p>IECEX EPS 18.0110 X Ex mb IIC T4 Gb Ex mb IIIC T130 °C Db</p> </td> <td> <p>ATEX:</p> <p>EPS 18 ATEX 1232 X II 2G Ex eb mb IIC T4 Gb II 2D Ex mb tb IIIC T130 °C Db</p> <p>IECEX:</p> <p>IECEX EPS 18.0110 X Ex eb mb IIC T4 Gb Ex mb tb IIIC T130 °C Db</p> </td> </tr> </tbody> </table>	Coil Type AC10		Coils with cable outlet	Coils with terminal box	<p>ATEX:</p> <p>EPS 18 ATEX 1232 X II 2G Ex mb IIC T4 Gb II 2D Ex mb IIIC T130 °C Db</p> <p>IECEX:</p> <p>IECEX EPS 18.0110 X Ex mb IIC T4 Gb Ex mb IIIC T130 °C Db</p>
Coil Type AC10						
Coils with cable outlet	Coils with terminal box					
<p>ATEX:</p> <p>EPS 18 ATEX 1232 X II 2G Ex mb IIC T4 Gb II 2D Ex mb IIIC T130 °C Db</p> <p>IECEX:</p> <p>IECEX EPS 18.0110 X Ex mb IIC T4 Gb Ex mb IIIC T130 °C Db</p>	<p>ATEX:</p> <p>EPS 18 ATEX 1232 X II 2G Ex eb mb IIC T4 Gb II 2D Ex mb tb IIIC T130 °C Db</p> <p>IECEX:</p> <p>IECEX EPS 18.0110 X Ex eb mb IIC T4 Gb Ex mb tb IIIC T130 °C Db</p>					

3.5. North America (USA/Canada)

Note:

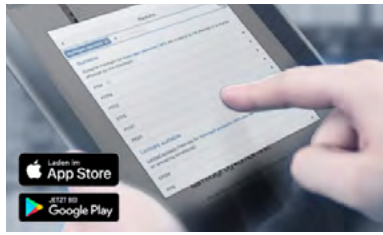
The following approvals are only available on request for coil systems with epoxy coils.

Approval	Description
	<p>Optional: UL Recognized for the USA and Canada (valid for coils)</p> <p>The coils are UL Recognized for the USA and Canada according to:</p> <ul style="list-style-type: none"> • UL 429 (electrically operated valves) • CAN/CSA-C22.2 No. 139
	<p>Optional: UL Hazardous Locations – Explosion Protection (valid for coils)</p> <p>UL Listed for Hazardous Locations for USA and Canada</p> <p>Class I, Zone 1 Class I, Division 2, Group A, B, C and D Class II + III, Division 2, Group F and G</p>
	<p>Optional: FM (Factory Mutual) – Explosion Protection (valid for coils)</p> <p>FM for Hazardous Locations for USA and Canada</p> <p>Class I, Zone 1 Class I, Division 1, Groups A, B, C and D Class II + III, Division 1, Groups E, F and G</p>

DTS 1000551788 EN Version: C Status: RL (released | freigegeben | valide) printed: 13.02.2026

4. Materials

4.1. Bürkert resistApp



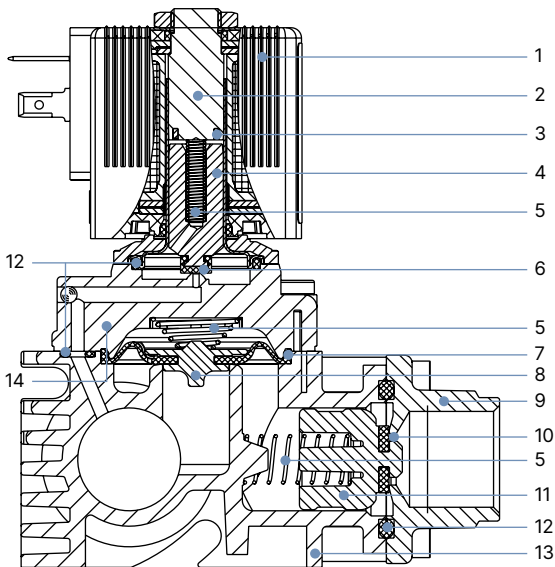
Bürkert resistApp – Chemical resistance chart

You want to ensure the reliability and durability of the materials in your individual application case? Verify your combination of media and materials on our website or in our resistApp.

[Start chemical resistance check](#)

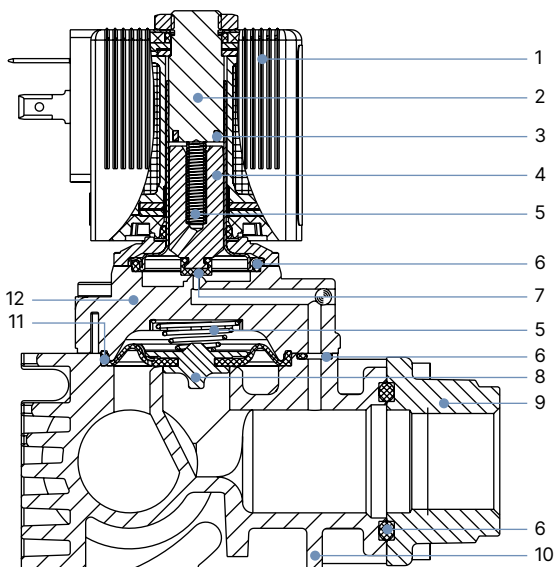
4.2. Material specifications

Standard variant collector



No.	Element	Material
1	Coil	Polyamide, optional epoxy
2	Stopper	Stainless steel 1.4105
3	Short circuit ring	Copper
4	Magnetic core	Stainless steel 1.4105
5	Spring	Stainless steel 1.4310
6	Core seal	FKM
7	Diaphragm	FKM
8	Diaphragm holder	Brass
9	Connection	Brass
10	Seal	FKM
11	Routing	PPE/Polyamide
12	O-ring	FKM
13	Body	PPE/Polyamide
14	Cover	PPE/Polyamide

Standard variant distributor



No.	Element	Material
1	Coil	Polyamide, optional epoxy
2	Stopper	Stainless steel 1.4105
3	Short circuit ring	Copper
4	Magnetic core	Stainless steel 1.4105
5	Spring	Stainless steel 1.4310
6	O-ring	FKM
7	Core seal	FKM
8	Diaphragm holder	Brass
9	Connection	Brass
10	Body	PPE/Polyamide
11	Diaphragm	FKM
12	Cover	PPE/Polyamide

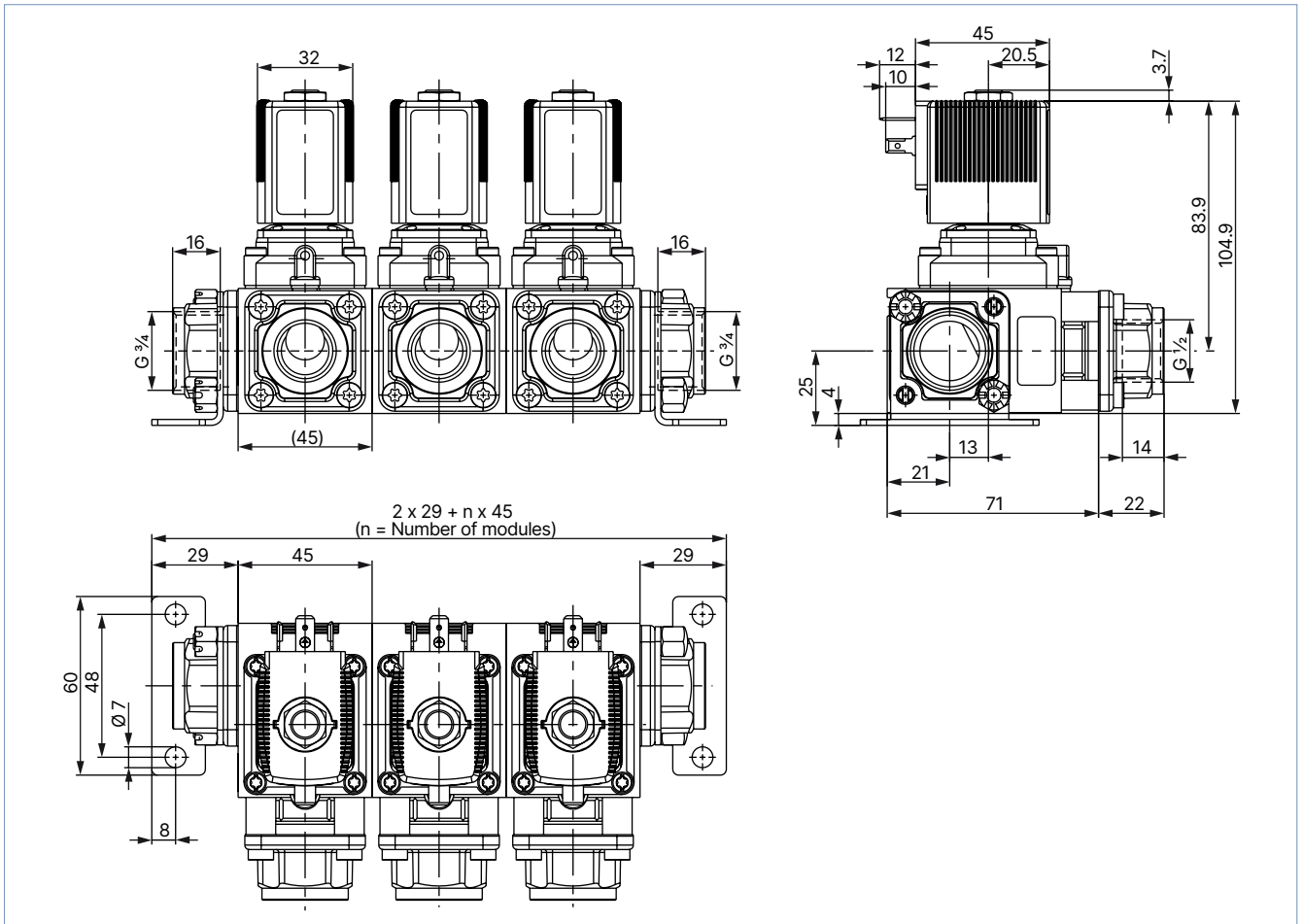
DTS 1000551788 EN Version: C Status: RL (released | freigegeben | valide) printed: 13.02.2026

5. Dimensions

5.1. Standard variant

Note:

Dimensions in mm



6. Performance specifications

6.1. Power consumption

Orifice [mm]	Circuit function	Coil size [mm]	AC			DC	
			Inrush power [VA]	Holding power [VA] [W]		Cold power [W]	Warm power [W]
13	CF A	32	16	9.5	5	6	5

7. Ordering information

7.1. Bürkert eShop



Bürkert eShop – Easy ordering and quick delivery

You want to find your desired Bürkert product or spare part quickly and order directly? Our online shop is available for you 24/7. Sign up and enjoy all the benefits.

[Order online now](#)

7.2. Bürkert product filter

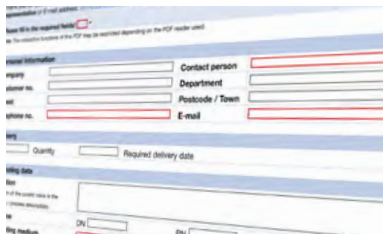


Bürkert product filter – Get quickly to the right product

You want to select products comfortably based on your technical requirements? Use the Bürkert product filter and find suitable articles for your application quickly and easily.

[Try out our product filter](#)

7.3. Bürkert Product Enquiry Form



Bürkert Product Enquiry Form – Your enquiry quickly and compactly

Would you like to make a specific product enquiry based on your technical requirements? Use our Product Enquiry Form for this purpose. There you will find all the relevant information for your Bürkert contact. This will enable us to provide you with the best possible advice.

[Fill out the form now](#)

DTS 1000551788 EN Version: C Status: RL (released | freigegeben | valide) printed: 13.02.2026

7.4. Ordering chart

Standard variant distributor

Note:

- Collector variants are available on request.
- The blocks are supplied with the standard cable plug **Type 2518** ▶, mounting brackets and a 3/4" sealing plug.
- Please note that the cable plug must be ordered separately, see "**Cable plug Type 2518, form A according to DIN EN 175301 - 803**" on [page 8](#) or separate data sheet **Type 2518** ▶.

Circuit function	Port connection	Orifice [mm]	K _v value water [m ³ /h]	Pressure range [bar]	Number of valves per block	Weight [kg]	Article no.		
							024/DC [V/Hz]	024/50...60 [V/Hz]	230/50...60 [V/Hz]
Distributor function, seal material FKM, polyamide coil, medium temperature 0...+ 70 °C									
A, solenoid valve 2/2-way Servo-controlled Normally closed 	G 1/2	13	3.0	0.5...10	2	1.3	20040758	20040763	20040767
							20040760	20040764	20040768
							20040761	20040765	20040769
							20040762	20040766	20040770

Further variants on request	
Material Cover: PPE/Polyamide Seal: EPDM/FKM	Voltage Further voltages
Process connection G 1/4, G 3/8 External thread G 1/2, G 3/4	Approval Further information can be found in chapter " 3. Approvals and conformities " on page 4 .

7.5. Ordering chart accessories

Cable plug Type 2518, form A according to DIN EN 175301 - 803

Note:

- Dimensions in mm
- For further variants see data sheet **Type 2518** ▶.

Cable plug	Dimensions	Variant	Voltage	Article no.
		Without wiring (AC/DC)	0...250 V AC/DC	314802
		With LED (AC/DC)	12...24 V AC/DC	314812
		With LED and varistor (AC/DC)	12...24 V AC/DC	314820
		With rectifier, LED and varistor	12...24 V AC/DC	314816

DTS 1000551788 EN Version: C Status: RL (released | freigegeben | valide) printed: 13.02.2026