



2/2-way solenoid valve for neutral media

- Compact 2 to 8-part distributor or collector block solution, stackable
- Stable plastic body with robust brass connection
- Ready-for-installation delivery for fast start-up
- Optional with energy-saving Kick and Drop coil
- Ex variants available on request

Product variants described in the data sheet may differ from the product presentation and description.

Type description

The Type 0287 is a servo-assisted 2/2-way valve. The modular stackable valve can be obtained as a distributor or collector version in DN 13. It is suitable for neutral media, such as compressed air or water.

Table of contents

1. General technical data	3
2. Circuit functions	3
3. Approvals and conformities	4
3.1. General notes.....	4
3.2. Conformity	4
3.3. Standards.....	4
3.4. Explosion protection	4
3.5. North America (USA/Canada)	4
4. Materials	5
4.1. Bürkert resistApp	5
4.2. Material specifications	5
Standard version collector	5
Standard version distributor.....	5
5. Dimensions	6
5.1. Standard version.....	6
6. Performance specifications	6
6.1. Power consumption	6
7. Ordering information	7
7.1. Bürkert eShop	7
7.2. Bürkert product filter.....	7
7.3. Bürkert Product Enquiry Form	7
7.4. Ordering chart.....	8
Standard version distributor.....	8
7.5. Ordering chart accessories.....	8
Cable plug Type 2518, form A according to DIN EN 175301 - 803	8

1. General technical data

Product properties	
Dimensions	Further information can be found in chapter “5. Dimensions” on page 6.
Material	
Connection	Brass
Cover	PPE/PA
Seal	FKM
Body	PPE/PA
Valve inner parts	Stainless steel, brass
Orifice	DN 13
Switching function	A Further information can be found in chapter “2. Circuit functions” on page 3.
Thermal insulation class of solenoid	Polyamide coil class B Epoxy coil class H
Performance data	
Duty cycle	100 % continuous operation
Switching time ^{1.)}	0.1...0.5 seconds (depending on differential pressure)
Electrical data	
Operating voltage	024/DC, 024 V/56 Hz, 230 V/56 Hz
Voltage tolerance	± 10 %
Medium data	
Operating medium	Neutral medium (e.g. compressed air, water)
Medium temperature	0 °C...+ 70 °C
Process/Port connection & communication	
Electrical connection	Plug contacts according to DIN EN 175301 - 803 form A for cable plug Type 2518 ▶. Further information can be found in chapter “Cable plug Type 2518, form A according to DIN EN 175301 - 803” on page 8.
Approvals and conformities	
Degree of protection	IP65 with cable plug, cable connection and terminal box
Directive	CE, EAC
North America (USA/Canada)	Further information can be found in chapter “3.5. North America (USA/Canada)” on page 4.
Environment and installation	
Installation position	As required, preferably with actuator upright
Ambient temperature	Max. + 55 °C

1.) Measurement at + 20 °C, 6 bar at the valve outlet, opening: pressure build-up 0...90 %, closing: pressure reduction 100...10 %

2. Circuit functions

Note:
WWB, normally open on request

Symbol	Description
	Circuit function A (CF A) 2/2-way solenoid valve Servo-controlled Normally closed

DTS 1000551788 EN Version: A Status: RL (released | freigegeben | validé) printed: 29.04.2024

3. Approvals and conformities

3.1. General notes

- The approvals and conformities listed below must be stated when making enquiries. This is the only way to ensure that the product complies with all required specifications.
- Not all available versions can be supplied with the below mentioned approvals or conformities.



3.2. Conformity

In accordance with the Declaration of Conformity, the product is compliant with the EU Directives.

3.3. Standards

The applied standards which are used to demonstrate compliance with the EU Directives are listed in the EU-Type Examination Certificate and/or the EU Declaration of Conformity.




3.4. Explosion protection

Approval	Description						
 	<p>Optional: Explosion protection according to category 2 (zone 1/21)</p> <p>Ex marking of the components according to the following table:</p> <table border="1"> <thead> <tr> <th colspan="2">Coil Type AC10</th> </tr> <tr> <th>Coils with cable outlet</th> <th>Coils with terminal box</th> </tr> </thead> <tbody> <tr> <td> ATEX: EPS 18 ATEX 1232 X II 2G Ex mb IIC T4 Gb II 2D Ex mb IIIC T130 °C Db IECEX: IECEX EPS 18.0110 X Ex mb IIC T4 Gb Ex mb IIIC T130 °C Db </td> <td> ATEX: EPS 18 ATEX 1232 X II 2G Ex eb mb IIC T4 Gb II 2D Ex mb tb IIIC T130 °C Db IECEX: IECEX EPS 18.0110 X Ex eb mb IIC T4 Gb Ex mb tb IIIC T130 °C Db </td> </tr> </tbody> </table>	Coil Type AC10		Coils with cable outlet	Coils with terminal box	ATEX: EPS 18 ATEX 1232 X II 2G Ex mb IIC T4 Gb II 2D Ex mb IIIC T130 °C Db IECEX: IECEX EPS 18.0110 X Ex mb IIC T4 Gb Ex mb IIIC T130 °C Db	ATEX: EPS 18 ATEX 1232 X II 2G Ex eb mb IIC T4 Gb II 2D Ex mb tb IIIC T130 °C Db IECEX: IECEX EPS 18.0110 X Ex eb mb IIC T4 Gb Ex mb tb IIIC T130 °C Db
Coil Type AC10							
Coils with cable outlet	Coils with terminal box						
ATEX: EPS 18 ATEX 1232 X II 2G Ex mb IIC T4 Gb II 2D Ex mb IIIC T130 °C Db IECEX: IECEX EPS 18.0110 X Ex mb IIC T4 Gb Ex mb IIIC T130 °C Db	ATEX: EPS 18 ATEX 1232 X II 2G Ex eb mb IIC T4 Gb II 2D Ex mb tb IIIC T130 °C Db IECEX: IECEX EPS 18.0110 X Ex eb mb IIC T4 Gb Ex mb tb IIIC T130 °C Db						

3.5. North America (USA/Canada)

Note:

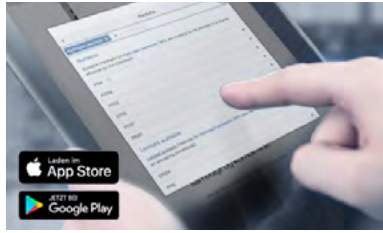
The following approvals are only available on request for coil systems with epoxy coils.

Approval	Description
	<p>Optional: UL Recognized for the USA and Canada (valid for coils)</p> <p>The coils are UL Recognized for the USA and Canada according to:</p> <ul style="list-style-type: none"> • UL 429 (electrically operated valves) • CAN/CSA-C22.2 No. 139
	<p>Optional: UL Hazardous Locations – Explosion Protection (valid for coils)</p> <p>UL Listed for Hazardous Locations for USA and Canada</p> <p>Class I, Zone 1 Class I, Division 2, Group A, B, C and D Class II + III, Division 2, Group F and G</p>
	<p>Optional: FM (Factory Mutual) – Explosion Protection (valid for coils)</p> <p>FM for Hazardous Locations for USA and Canada</p> <p>Class I, Zone 1 Class I, Division 1, Groups A, B, C and D Class II + III, Division 1, Groups E, F and G</p>

DTS 1000551788 EN Version: A Status: RL (released | freigegeben | validé) printed: 29.04.2024

4. Materials

4.1. Bürkert resistApp



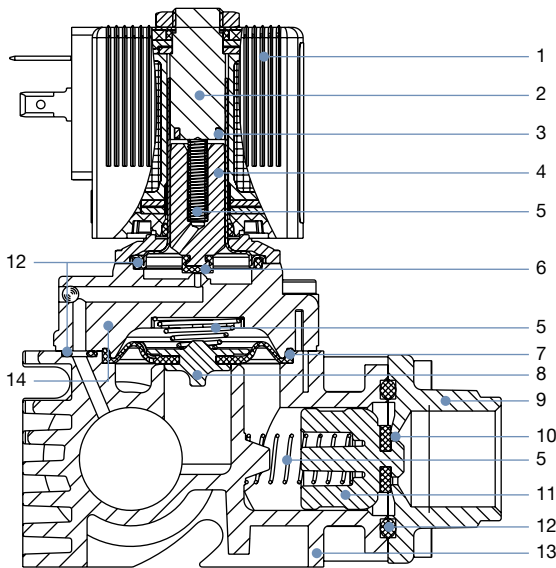
Bürkert resistApp – Chemical resistance chart

You want to ensure the reliability and durability of the materials in your individual application case? Verify your combination of media and materials on our website or in our resistApp.

[Start chemical resistance check](#)

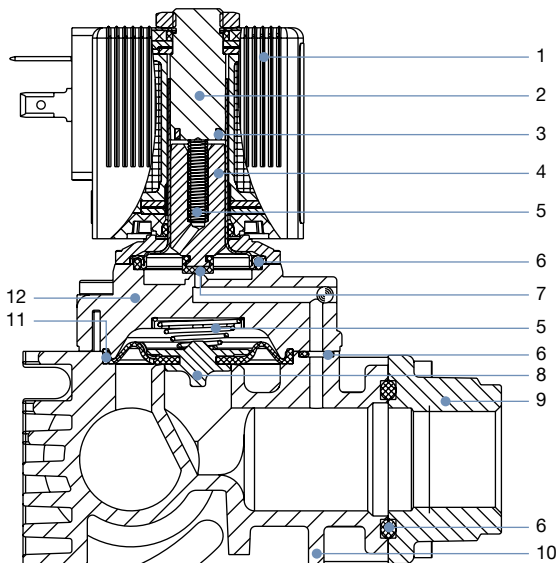
4.2. Material specifications

Standard version collector



No.	Element	Material
1	Coil	Polyamide, optional epoxy
2	Stopper	Stainless steel 1.4105
3	Short circuiting ring	Copper
4	Magnetic core	Stainless steel 1.4105
5	Spring	Stainless steel 1.4310
6	Core seal	FKM
7	Diaphragm	FKM
8	Diaphragm holder	Brass
9	Connection	Brass
10	Seal	FKM
11	Routing	PPE/PA
12	O-ring	FKM
13	Body	PPE/PA
14	Cover	PPE/PA

Standard version distributor



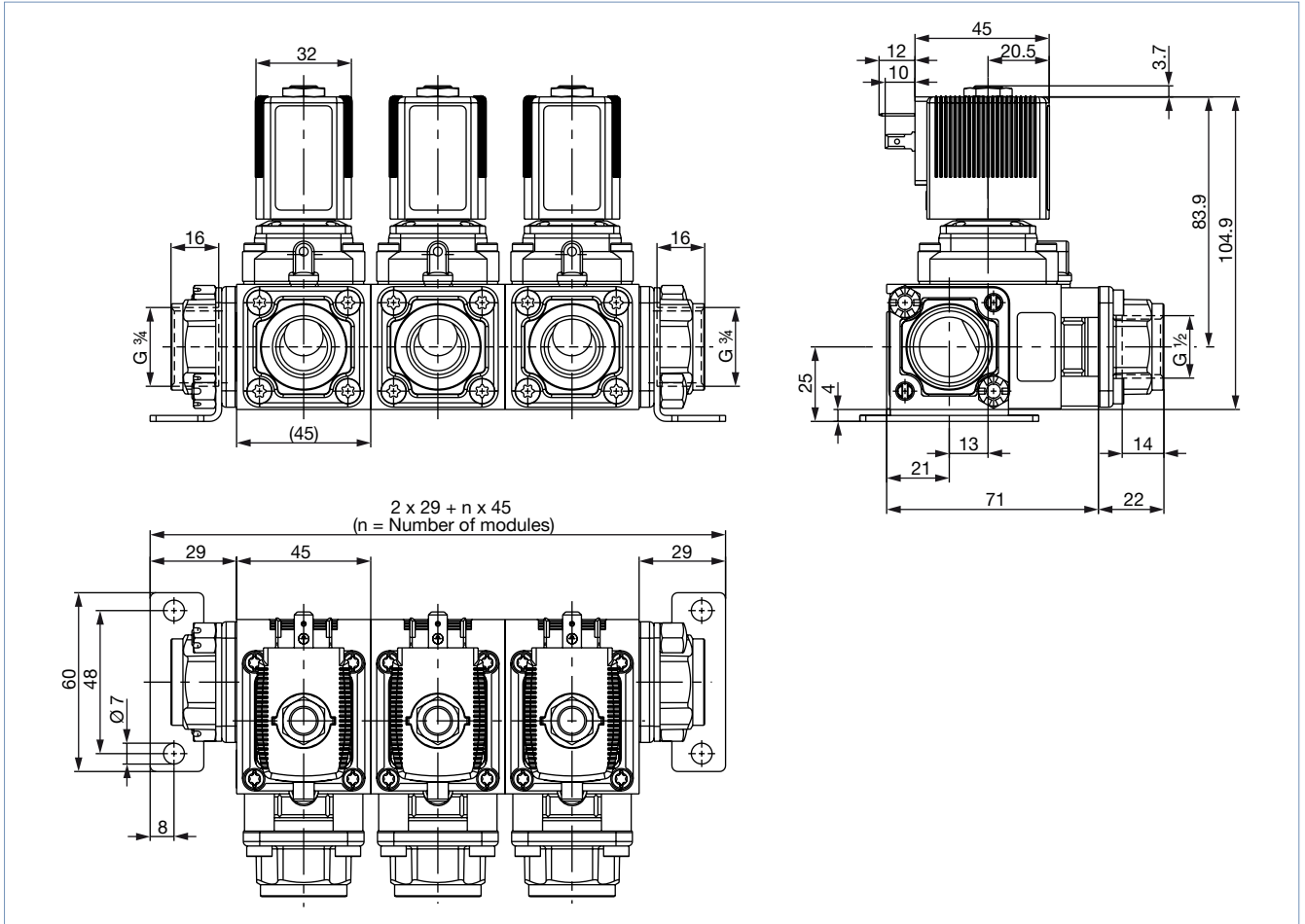
No.	Element	Material
1	Coil	Polyamide, optional epoxy
2	Stopper	Stainless steel 1.4105
3	Short circuiting ring	Copper
4	Magnetic core	Stainless steel 1.4105
5	Spring	Stainless steel 1.4310
6	O-ring	FKM
7	Core seal	FKM
8	Diaphragm holder	Brass
9	Connection	Brass
10	Body	PPE/PA
11	Diaphragm	FKM
12	Cover	PPE/PA

5. Dimensions

5.1. Standard version

Note:

Dimensions in mm



6. Performance specifications

6.1. Power consumption

Orifice [mm]	Circuit function	Coil size [mm]	AC			DC	
			Starting power [VA]	Holding power [VA]	[W]	Cold power [W]	Warm power [W]
13	WWA	32	16	9.5	5	6	5

7. Ordering information

7.1. Bürkert eShop



Bürkert eShop – Easy ordering and quick delivery

You want to find your desired Bürkert product or spare part quickly and order directly? Our online shop is available for you 24/7. Sign up and enjoy all the benefits.

[Order online now](#)

7.2. Bürkert product filter

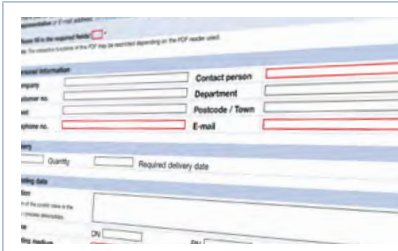


Bürkert product filter – Get quickly to the right product

You want to select products comfortably based on your technical requirements? Use the Bürkert product filter and find suitable articles for your application quickly and easily.

[Try out our product filter](#)

7.3. Bürkert Product Enquiry Form



Bürkert Product Enquiry Form – Your enquiry quickly and compactly

Would you like to make a specific product enquiry based on your technical requirements? Use our Product Enquiry Form for this purpose. There you will find all the relevant information for your Bürkert contact. This will enable us to provide you with the best possible advice.

[Fill out the form now](#)

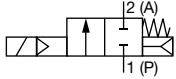
DTS 1000551788 EN Version: A Status: RL (released | freigegeben | validé) printed: 29.04.2024





7.4. Ordering chart

Standard version distributor

Note:

- Collector versions are available on request.
- The blocks are supplied with the standard cable plug **Type 2518** ▶, mounting brackets and a 3/4" sealing plug.
- Please note that the cable plug must be ordered separately, see **"Cable plug Type 2518, form A according to DIN EN 175301 - 803"** on **page 8** or separate data sheet **Type 2518** ▶.

Circuit function	Port connection	Orifice [mm]	K _v value water [m³/h]	Pressure range [bar]	Number of valves per block	Weight [kg]	Article no.		
							024/DC [V/Hz]	024/50...60 [V/Hz]	230/50...60 [V/Hz]
Distributor function, seal material FKM, polyamide coil, medium temperature 0...+70 °C									
A, solenoid valve 2/2-way Servo-controlled Normally closed 	G 1/2	13	3.0	0.5...10	2	1.3	20040758	20040763	20040767
					3	1.7	20040760	20040764	20040768
					4	2.2	20040761	20040765	20040769
					5	2.7	20040762	20040766	20040770


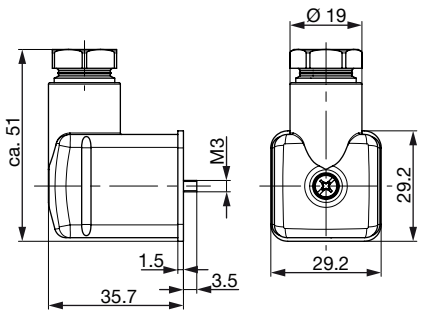
Further versions on request	
 Material Cover: PPE/PA Seal: EPDM/FKM	 Voltage Further voltages
 Process connection G 1/4, G 3/8 External thread G 1/2, G 3/4	 Approval Further information can be found in chapter "3. Approvals and conformities" on page 4 .

7.5. Ordering chart accessories

Cable plug Type 2518, form A according to DIN EN 175301 - 803

Note:

- Dimensions in mm
- For further versions see data sheet **Type 2518** ▶.

Cable plug	Dimensions	Version	Voltage	Article no.
		Without circuitry (AC/DC)	0...250 V AC/DC	314802
		With LED (AC/DC)	12...24 V AC/DC	314812
		With LED and varistor (AC/DC)	12...24 V AC/DC	314820
		With rectifier, LED and varistor	12...24 V AC/DC	314816

DTS 1000551788 EN Version: A Status: RL (released | freigegeben | validé) printed: 29.04.2024