



2/2 way plunger solenoid valve with separating diaphragm

- Compact design
- Low electrical power consumption
- Short response times
- Hermetically sealing isolating diaphragm
- Non-metallic valve internals



Product variants described in the data sheet may differ from the product presentation and description.

Type description

Type 117 is a normally-closed direct-acting plunger-type solenoid valve with PTFE-coated diaphragm. The diaphragm isolates the fluid from the solenoid system. When deenergized (in circuit function A) the valve is closed by spring action. When energized, the solenoid armature is drawn in 2/2 way, G 1/8, UNF 1/4-28 FluidControl Systems against a spring to open the valve. The solenoid epoxy encapsulation efficiently dissipates the heat generated by the coil.

Table of contents

1. General technical data	3
2. Circuit functions	3
3. Approvals and conformities	4
3.1. General notes	4
3.2. Conformity	4
3.3. Standards	4
4. Materials	4
4.1. Bürkert resistApp	4
4.2. Material specifications	4
5. Dimensions	5
6. Ordering information	6
6.1. Bürkert eShop	6
6.2. Bürkert product filter	6
6.3. Bürkert Product Enquiry Form	6
6.4. Ordering chart	7
6.5. Ordering chart accessories.....	7
Cable plug Type 2507, form B according to industry standard.....	7

DTS 1000010903 EN Version: K Status: RL (released | freigegeben | valide) printed: 13.02.2026

1. General technical data

Product properties	
Dimensions	Further information can be found in chapter "5. Dimensions" on page 5.
Material	
Seal	PTFE/EPDM PTFE/FKM EPDM/FKM
Body	ETFE (TEFZEL)
Coil	Epoxy
Orifice	DN 1.2...DN 2.0
Circuit function	A Further information can be found in chapter "2. Circuit functions" on page 3.
Thermal insulation class of solenoid coil	Epoxy coil class H
Performance data	
Duty cycle	100 % continuous operation
Switching frequency	Max. 300 c.p.m.
Switching time	Opening: approx. 20 ms Closing: approx. 20 ms
Electrical data	
Operating voltage	12 V DC, 24 V DC, 24 V UC, 220/230 V UC
Electrical power consumption	4 W
Voltage tolerance	± 10 %
Medium data	
Operating medium	
With PTFE/EPDM	Alkalis, mineral acids and organic acids, washing and bleaching lyes
With PTFE/FKM	Oxidising acids and lyes, saline solutions, oils and waste gases
Medium temperature	- 10 °C...+ 70 °C
Viscosity	Max. 21 mm ² /s
Product connections	
Electrical connection	<ul style="list-style-type: none"> Plug contacts according to industry standard form A for cable plug Type 2507 ▶ Further information can be found in chapter "Cable plug Type 2507, form B according to industry standard" on page 7. Flying leads with 300 mm are available on request.
Approvals and conformities	
Degree of protection	IP65 with cable plug
Environment and installation	
Installation position	As required, preferably with actuator upright
Ambient temperature	Max. + 55 °C

2. Circuit functions

Symbol	Description
	Circuit function A (CF A) 2/2-way solenoid valve Direct-acting Normally closed

3. Approvals and conformities

3.1. General notes

- The approvals and conformities listed below must be stated when making enquiries. This is the only way to ensure that the product complies with all required specifications.
- Not all available variants can be supplied with the below mentioned approvals or conformities.

3.2. Conformity

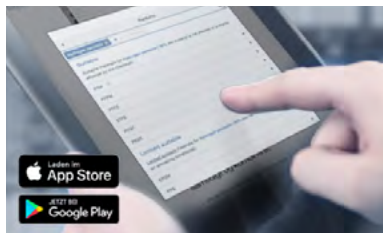
In accordance with the Declaration of Conformity, the product is compliant with the EU Directives.

3.3. Standards

The applied standards which are used to demonstrate compliance with the EU Directives are listed in the EU-Type Examination Certificate and/or the EU Declaration of Conformity.

4. Materials

4.1. Bürkert resistApp

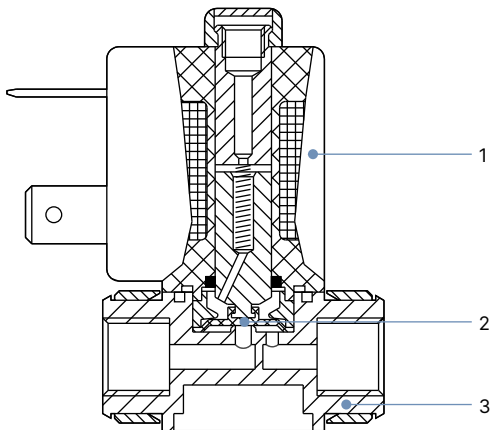


Bürkert resistApp – Chemical resistance chart

You want to ensure the reliability and durability of the materials in your individual application case? Verify your combination of media and materials on our website or in our resistApp.

[Start chemical resistance check](#)

4.2. Material specifications

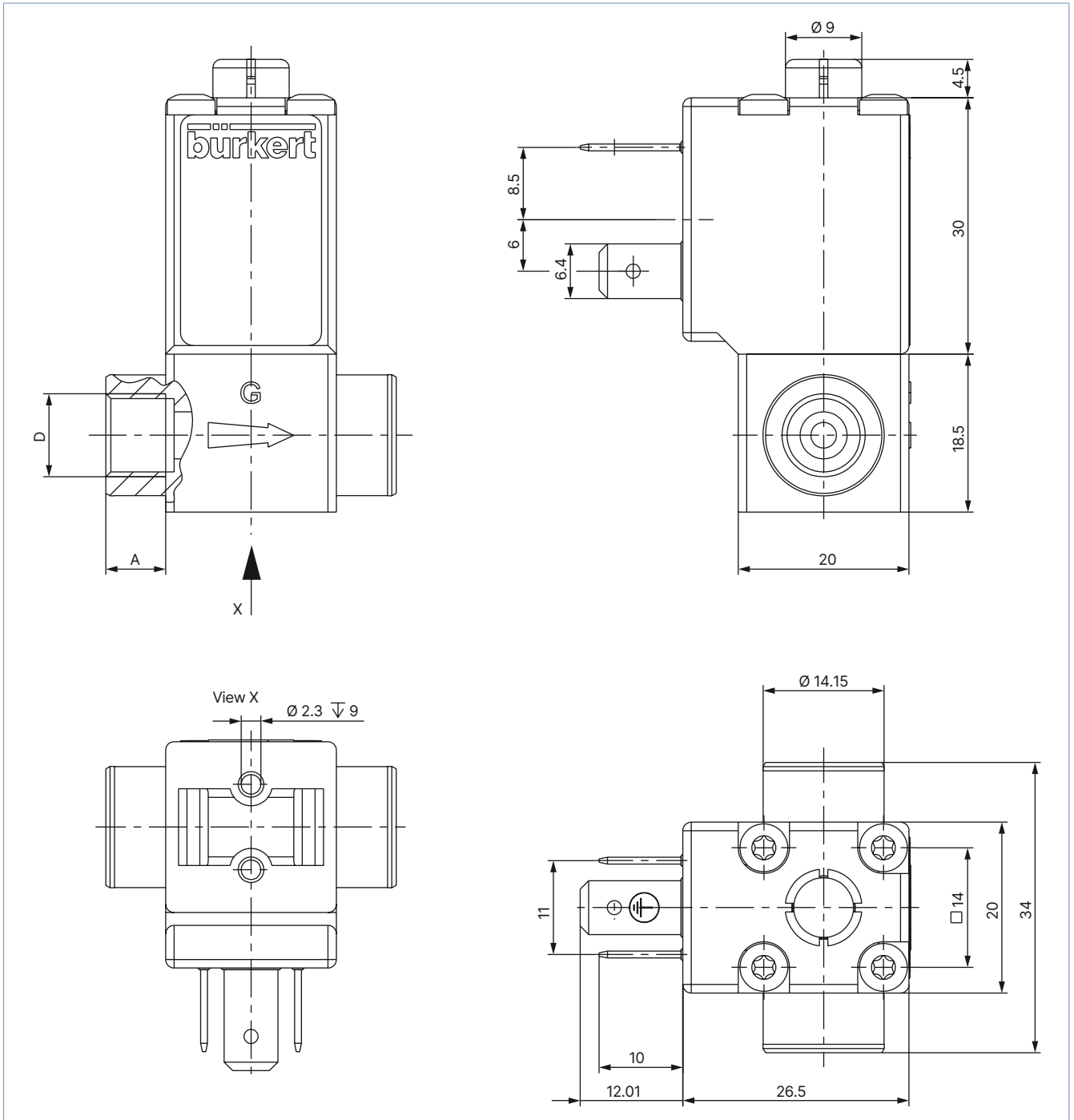


No.	Element	Material
1	Coil	Epoxy
2	Separating diaphragms	PTFE/EPDM PTFE/FKM EPDM/FKM
3	Valve body	ETFE (TEFZEL)

5. Dimensions

Note:

Dimensions in mm



D	A
G 1/8	8
NPT 1/8	7
UNF 1/4...28	8

6. Ordering information

6.1. Bürkert eShop



Bürkert eShop – Easy ordering and quick delivery

You want to find your desired Bürkert product or spare part quickly and order directly? Our online shop is available for you 24/7. Sign up and enjoy all the benefits.

[Order online now](#)

6.2. Bürkert product filter

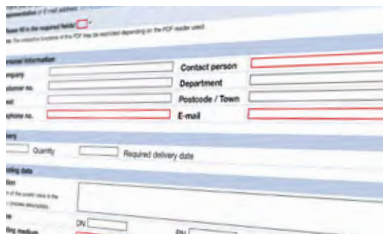


Bürkert product filter – Get quickly to the right product

You want to select products comfortably based on your technical requirements? Use the Bürkert product filter and find suitable articles for your application quickly and easily.

[Try out our product filter](#)

6.3. Bürkert Product Enquiry Form



Bürkert Product Enquiry Form – Your enquiry quickly and compactly

Would you like to make a specific product enquiry based on your technical requirements? Use our Product Enquiry Form for this purpose. There you will find all the relevant information for your Bürkert contact. This will enable us to provide you with the best possible advice.

[Fill out the form now](#)

DTS 1000010903 EN Version: K Status: RL (released | freigegeben | valide) printed: 13.02.2026

6.4. Ordering chart

Note:

- All valves are delivered with a ETFE body (TEFZEL).
- Please note that the cable plug must be ordered separately, see [“Cable plug Type 2507, form B according to industry standard” on page 7](#) or separate data sheet **Type 2507** ▶.

Circuit function	Port connection	Orifice	K _v value water	Voltage/Frequency	Pressure range	Seal material	Article no.	
		[mm]	[m ³ /h]	[V/Hz]	[bar]			
CFA 2/2-way solenoid valve Direct-acting Normally closed 	G 1/8	1.6	0.06	24/DC	0...1.5	PTFE/EPDM	057606	
				24/UC			058206	
				24/DC			PTFE/FKM	056664
				24/UC				041763
				220...230/UC				057839
	G 1/8	2.0	0.09	24/DC	0...1.0	PTFE/EPDM	043698	
				220...230/UC			021301	
				24/DC			PTFE/FKM	040947
				24/UC				058062
				220...230/UC				021186

6.5. Ordering chart accessories

Cable plug Type 2507, form B according to industry standard

Note:

- Dimensions in mm
- Delivery of cable plug includes a flat seal and a fastening screw.
- Refer to data sheet **Type 2507** ▶ for more information about the cable plug.

Cable plug	Dimensions	Variant	Voltage	Article no.
		Without wiring (standard)	2...250 V AC/DC	423845
		With LED	24 V AC/DC	423849

DTS 1000010903 EN Version: K Status: RL (released | freigegeben | valide) printed: 13.02.2026