



Resistance Thermometer Pt100

- Compact version
- Tube material stainless steel 1.4571
- Wide range of applications for neutral mediums and aggressive fluids
- With cable plug or cable

Product variants described in the data sheet may differ from the product presentation and description.

Type description

Temperature measuring with Pt100 temperature probe integrated in stainless steel tube. Measuring unit according DIN 910 screwed and welded-in (not exchangeable). Wide range of applications for neutral and aggressive media. Accuracy class B (ΔT [degree]= $\pm 0.3 \pm 0.005 T$ [°C]).

Table of contents

1. General technical data	3
2. Dimensions	3
3. Ordering information	4
3.1. Bürkert eShop – Easy ordering and quick delivery.....	4
3.2. Bürkert product filter.....	4
3.3. Ordering chart.....	4

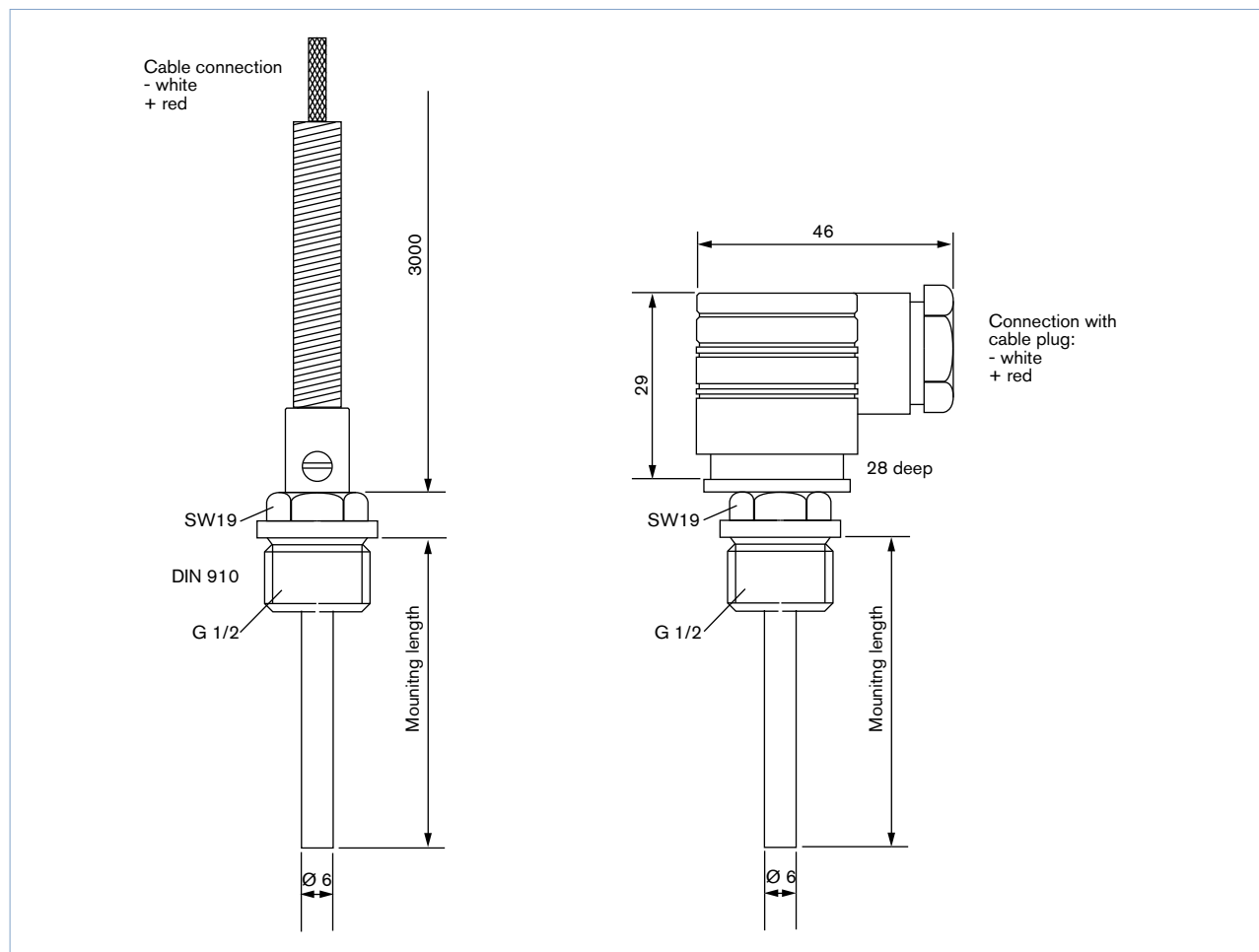
1. General technical data

Product properties	
Dimensions	Detailed information can be found in chapter "2. Dimensions" on page 3.
Material	
Protection tube	Stainless steel 1.4571
Measuring surface	Flat
Measuring range	Up to +125 °C with cable plug Up to +200 °C with cable
Connection cable	3 m, PTFE silicone isolation, screened
Connection	External thread G 1/2
Cable plug	Type 2508 according to DIN 43650 Form A
Approvals and certificates	
Protection class	IP 65
Environment and installation	
Umgebungstemperatur	Max. +80 °C

2. Dimensions

Note:

Dimensions in mm



3. Ordering information

3.1. Bürkert eShop – Easy ordering and quick delivery



Bürkert eShop – Easy ordering and fast delivery

You want to find your desired Bürkert product or spare part quickly and order directly? Our online shop is available for you 24/7. Sign up and enjoy all the benefits.

[Order online now](#)

3.2. Bürkert product filter







Bürkert product filter – Get quickly to the right product

You want to select products comfortably based on your technical requirements? Use the Bürkert product filter and find suitable articles for your application quickly and easily.

[Try out our product filter](#)

3.3. Ordering chart

Electrical connection	Mounting length	Article no.
	[mm]	
3 m cable	50	783713 
3 m cable	100	783714 
Cable plug	50	783715 
Cable plug	100	783716 

Bürkert – Close to You

For up-to-date addresses
please visit us at
www.burkert.com

DTS 1000110272 EN Version: F Status: RL (released | freigegeben | validé) printed: 05.10.2021

