

Clamp tank flange for aseptic Clamp connection acc. to DIN 11864-3

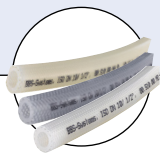


- Suitable for aseptic Clamp ferrules acc. to DIN 11864-3
- All medium contact materials traceable
- Component of the BBS modular system

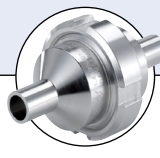
Hygienic Processing Components.....



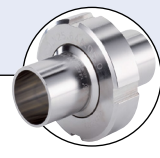
Type BBS-05
Clamp connection



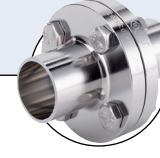
Type BBS-04
Silicone tube



Type BBS-10
Check valve



Type BBS-03
Threaded connection



Type BBS-06
Sterile orbital flange



Type 2103
Diaphragm valve

These clamp block flanges are suitable for aseptic Clamp connections according to DIN 11864-3. They are specifically intended to provide a safe and secure flexible connection of pipes or equipment to a tank using standard clamps.

They can be used for connecting measuring instruments, sight glasses or sampling systems as well as burst discs. Their design and construction makes them simple to clean.

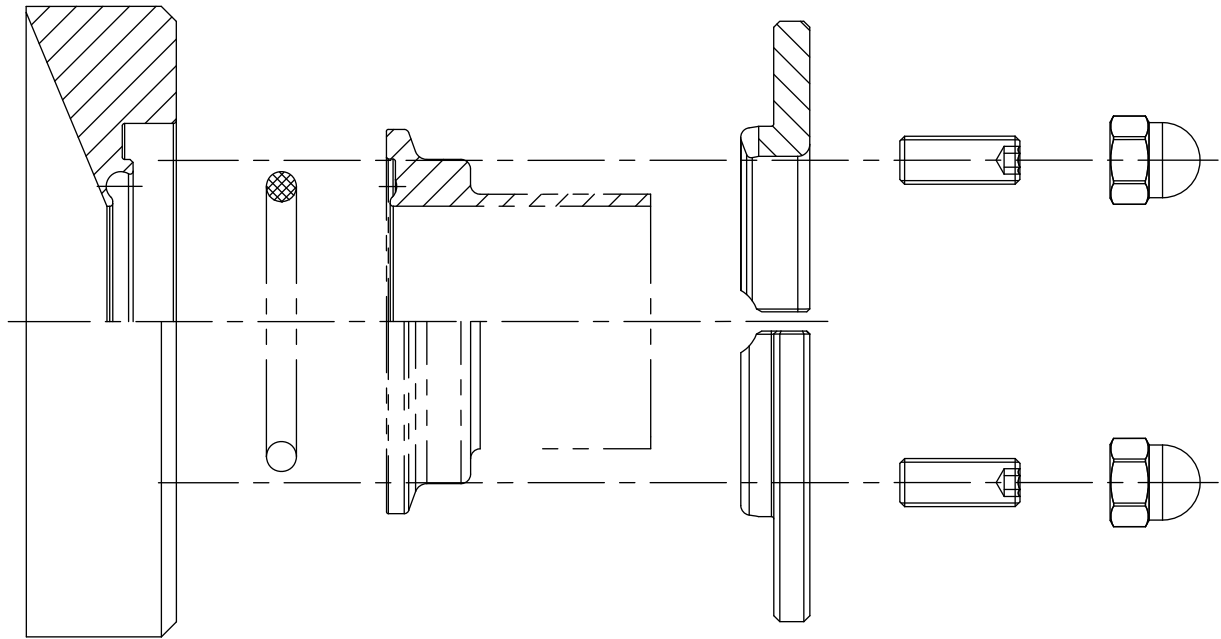
Applications

- Biotechnology
- Pharmaceutical
- Chemical industry
- Dairy
- Food
- Cosmetic

Technical data

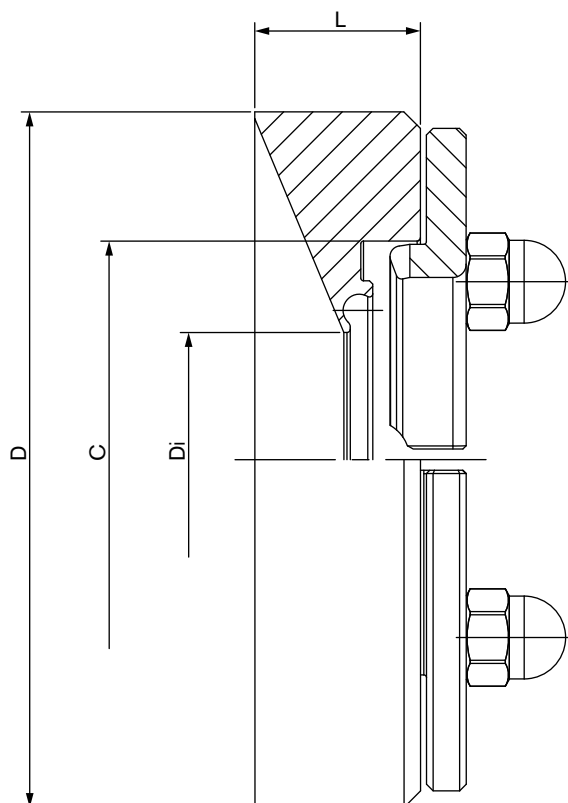
Available standard sizes	ISO DN08 to DN100 DIN DN10 to DN100 BS-OD DN1/2" to DN4"
Material medium contact	Stainless steel 1.4435 BN2 (316L) Special materials like e.g. Hastelloy 2.4602, Titanium, 1.4539 etc. on request
Material medium separated	1.4305 or equivalent
Adapter	Loose tank clamp
Seals	O-Ring, EPDM, PTFE, special seal materials e.g. FFKM, pure PTFE etc. on request. Suitable O-Rings please see datasheet BBS-05 Aseptic Clamp connection
Surface quality	Medium contacted surface < Ra 0.8µm, electro polished, finer surface on request
Ambient temperature	-20 to +80 °C
Media	Gases or liquids
Operating pressure	ISO DN08 to DN25 = 40 bar ISO DN08 to DN25 = 25 bar DIN DN10 to DN40 = 40 bar DIN DN50 to DN100 = 25 bar BS-OD DN1/2" to DN1 1/2" = 40 bar BS-OD DN2" to DN4" = 25 bar
Applicable Standards	Seal parts acc. to DIN 11864-3 ISO-Dimension Series B DIN-Dimension Series A BS-OD-Dimension Series C
Certifications	Material 3.1

Clamp tank flange for aseptic Clamp connection acc. to DIN 11864-3



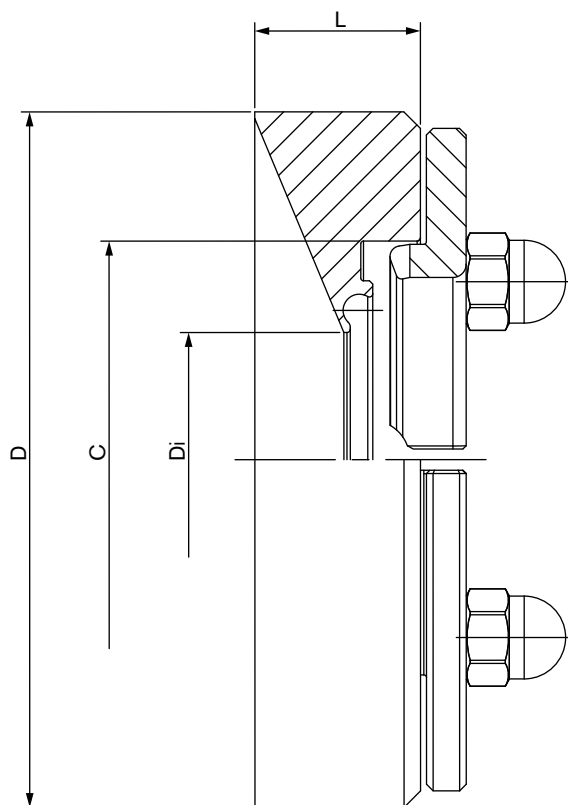
Clamp ferrule and the O-Ring are not supplied a standard. For suitable parts please see our data sheet BBS-05.

Dimension [mm] Clamp tank flange suitable for BBS-05 Aseptic Clamp connection



Orifice	D [mm]	Di [mm]	C [mm]	Suitable Clamp Ø	Article no. Flange L 25 mm		Article no. Flange L 38 mm	
ISO Dimensions Clamp tank flange for Aseptilic Clamp connection acc. to DIN 11864-3								
DN08	75.00	10.30	37.40	34.00	BBS-07-ZT.Z08.64 A.025.35.0	on request	BBS-07-ZT.Z08.64 A.038.35.0	on request
DN10	75.00	14.00	37.40	34.00	BBS-07-ZT.Z10.64 A.025.35.0	on request	BBS-07-ZT.Z10.64 A.038.35.0	on request
DN15	75.00	18.10	37.40	34.00	BBS-07-ZT.Z15.64 A.025.35.0	on request	BBS-07-ZT.Z15.64 A.038.35.0	on request
DN20	90.00	23.70	53.90	50.50	BBS-07-ZT.Z20.64 A.025.35.0	733891	BBS-07-ZT.Z20.64 A.038.35.0	on request
DN25	90.00	29.70	53.90	50.50	BBS-07-ZT.Z25.64 A.025.35.0	733896	BBS-07-ZT.Z25.64 A.038.35.0	733899
DN32	105.00	38.40	66.50	64.00	BBS-07-ZT.Z32.64 A.025.35.0	733911	BBS-07-ZT.Z32.64 A.038.35.0	733914
DN40	105.00	44.30	66.50	64.00	BBS-07-ZT.Z40.64 A.025.35.0	733920	BBS-07-ZT.Z40.64 A.038.35.0	on request
DN50	136.00	56.30	93.00	91.00	BBS-07-ZT.Z50.64 A.025.35.0	733932	BBS-07-ZT.Z50.64 A.038.35.0	on request
DN65	151.00	72.10	108.00	106.00	BBS-07-ZT.Z65.64 A.025.35.0	733942	BBS-07-ZT.Z65.64 A.038.35.0	on request
DN80	175.00	84.30	121.50	119.00	BBS-07-ZT.Z80.64 A.025.35.0	733954	BBS-07-ZT.Z80.64 A.038.35.0	on request
Orifice	D [mm]	Di [mm]	C [mm]	Suitable Clamp Ø	Article no. Flange L 51 mm			
ISO Dimensions Clamp tank flange for Aseptilic Clamp connection acc. to DIN 11864-3 continued								
DN08	75.00	10.30	37.40	34.00	BBS-07-ZT.Z08.64 A.051.35.0	on request		
DN10	75.00	14.00	37.40	34.00	BBS-07-ZT.Z10.64 A.051.35.0	on request		
DN15	75.00	18.10	37.40	34.00	BBS-07-ZT.Z15.64 A.051.35.0	on request		
DN20	90.00	23.70	53.90	50.50	BBS-07-ZT.Z20.64 A.051.35.0	on request		
DN25	90.00	29.70	53.90	50.50	BBS-07-ZT.Z25.64 A.051.35.0	on request		
DN32	105.00	38.40	66.50	64.00	BBS-07-ZT.Z32.64 A.051.35.0	on request		
DN40	105.00	44.30	66.50	64.00	BBS-07-ZT.Z40.64 A.051.35.0	733923		
DN50	136.00	56.30	93.00	91.00	BBS-07-ZT.Z50.64 A.051.35.0	733935		
DN65	151.00	72.10	108.00	106.00	BBS-07-ZT.Z65.64 A.051.35.0	733945		
DN80	175.00	84.30	121.50	119.00	BBS-07-ZT.Z80.64 A.051.35.0	733957		

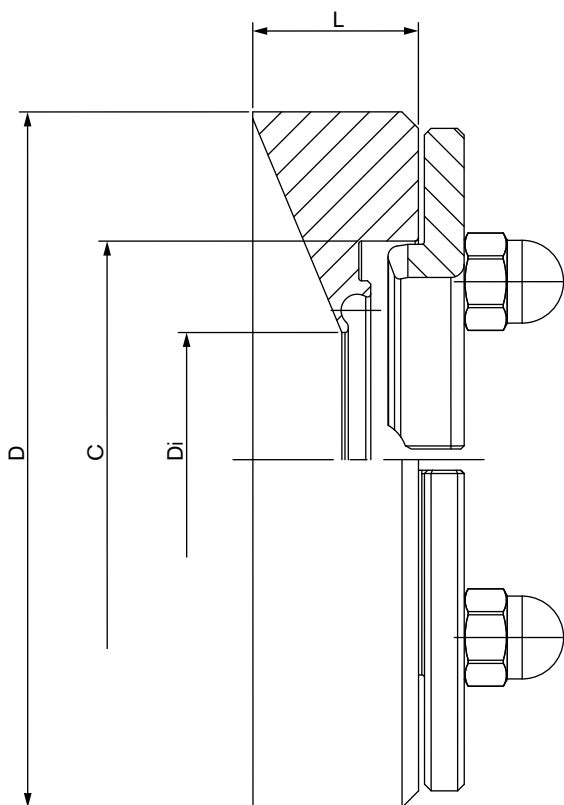
Dimension [mm] Clamp tank flange suitable for BBS-05 Aseptic Clamp connection



Orifice	D [mm]	Di [mm]	C [mm]	Suitable Clamp Ø	Article no. Flange L 25 mm		Article no. Flange L 38 mm		
DIN Dimensions Clamp tank flange for Aseptilic Clamp connection acc. to DIN 11864-3									
DN10	75.00	10.00	37.40	34.00	BBS-07-ZT.F10.64 A.025.35.0	on request	BBS-07-ZT.F10.64 A.038.35.0	on request	
DN15	75.00	16.00	37.40	34.00	BBS-07-ZT.F15.64 A.025.35.0	on request	BBS-07-ZT.F15.64 A.038.35.0	on request	
DN20	90.00	20.00	53.90	50.50	BBS-07-ZT.F20.64 A.025.35.0	on request	BBS-07-ZT.F20.64 A.038.35.0	on request	
DN25	90.00	26.00	53.90	50.50	BBS-07-ZT.F25.64 A.025.35.0	on request	BBS-07-ZT.F25.64 A.038.35.0	on request	
DN32	90.00	32.00	53.90	50.50	BBS-07-ZT.F32.64 A.025.35.0	on request	BBS-07-ZT.F32.64 A.038.35.0	on request	
DN40	105.00	38.00	66.50	64.00	BBS-07-ZT.F40.64 A.025.35.0	on request	BBS-07-ZT.F40.64 A.038.35.0	on request	
DN50	117.00	50.00	80.50	77.50	BBS-07-ZT.F50.64 A.025.35.0	on request	BBS-07-ZT.F50.64 A.038.35.0	on request	
DN65	136.00	66.00	93.00	91.00	BBS-07-ZT.F65.64 A.025.35.0	on request	BBS-07-ZT.F65.64 A.038.35.0	on request	
DN80	151.00	81.00	108.00	106.00	BBS-07-ZT.F80.64 A.025.35.0	on request	BBS-07-ZT.F80.64 A.038.35.0	on request	
DN100	175.00	100.00	121.50	119.00	BBS-07-ZT.F100.64 A.025.35.0	on request	BBS-07-ZT.F100.64 A.038.35.0	on request	
Orifice	D [mm]	Di [mm]	C [mm]	Suitable Clamp Ø	Article no. Flange L 51 mm				
DIN Dimensions Clamp tank flange for Aseptilic Clamp connection acc. to DIN 11864-3 continued									
DN10	75.00	10.00	37.40	34.00	BBS-07-ZT.F10.64 A.051.35.0	on request			
DN15	75.00	16.00	37.40	34.00	BBS-07-ZT.F15.64 A.051.35.0	on request			
DN20	90.00	20.00	53.90	50.50	BBS-07-ZT.F20.64 A.051.35.0	on request			
DN25	90.00	26.00	53.90	50.50	BBS-07-ZT.F25.64 A.051.35.0	on request			
DN32	90.00	32.00	53.90	50.50	BBS-07-ZT.F32.64 A.051.35.0	on request			
DN40	105.00	38.00	66.50	64.00	BBS-07-ZT.F40.64 A.051.35.0	on request			
DN50	117.00	50.00	80.50	77.50	BBS-07-ZT.F50.64 A.051.35.0	on request			
DN65	136.00	66.00	93.00	91.00	BBS-07-ZT.F65.64 A.051.35.0	on request			
DN80	151.00	81.00	108.00	106.00	BBS-07-ZT.F80.64 A.051.35.0	on request			
DN100	175.00	100.00	121.50	119.00	BBS-07-ZT.F100.64 A.051.35.0	on request			

DTS 1000179581 EN Version: D Status: RL (released | freigegeben | validé) printed: 17.07.2018

Dimension [mm] Clamp tank flange suitable for BBS-05 Aseptic Clamp connection



Orifice	D [mm]	Di [mm]	C [mm]	Suitable Clamp Ø	Article no. Flange L 25 mm		Article no. Flange L 38 mm		
BS-OD Dimensions Clamp tank flange for Aseptic Clamp connection acc. to DIN 11864-3									
DN1/2"	75.00	9.40	37.40	34.00	BBS-07-ZT.M05.64 A.025.35.0	733765	BBS-07-ZT.M05.64 A.038.35.0	on request	
DN3/4"	75.00	15.75	37.40	34.00	BBS-07-ZT.M07.64 A.025.35.0	733768	BBS-07-ZT.M07.64 A.038.35.0	on request	
DN1"	85.00	22.10	53.90	50.50	BBS-07-ZT.M10.64 A.025.35.0	733777	BBS-07-ZT.M10.64 A.038.35.0	on request	
DN1 1/2"	105.00	34.80	66.50	64.00	BBS-07-ZT.M15.64 A.025.35.0	733805	BBS-07-ZT.M15.64 A.038.35.0	on request	
DN2"	117.00	47.50	80.50	77.50	BBS-07-ZT.M20.64 A.025.35.0	733829	BBS-07-ZT.M20.64 A.038.35.0	on request	
DN2 1/2"	136.00	60.20	93.00	91.00	BBS-07-ZT.M25.64 A.025.35.0	733837	BBS-07-ZT.M25.64 A.038.35.0	on request	
DN3"	151.00	72.90	108.00	106.00	BBS-07-ZT.M30.64 A.025.35.0	733852	BBS-07-ZT.M30.64 A.038.35.0	on request	
DN4"	175.00	97.38	132.50	130.00	BBS-07-ZT.M40.64 A.025.35.0	733858	BBS-07-ZT.M40.64 A.038.35.0	on request	

Orifice	D [mm]	Di [mm]	C [mm]	Suitable Clamp Ø	Article no. Flange L 51 mm	
BS-OD Dimensions Clamp tank flange for Aseptic Clamp connection acc. to DIN 11864-3 continued						
DN1/2"	75.00	9.40	37.40	34.00	BBS-07-ZT.M05.64 A.051.35.0	on request
DN3/4"	75.00	15.75	37.40	34.00	BBS-07-ZT.M07.64 A.051.35.0	on request
DN1"	85.00	22.10	53.90	50.50	BBS-07-ZT.M10.64 A.051.35.0	on request
DN1 1/2"	105.00	34.80	66.50	64.00	BBS-07-ZT.M15.64 A.051.35.0	on request
DN2"	117.00	47.50	80.50	77.50	BBS-07-ZT.M20.64 A.051.35.0	on request
DN2 1/2"	136.00	60.20	93.00	91.00	BBS-07-ZT.M25.64 A.051.35.0	on request
DN3"	151.00	72.90	108.00	106.00	BBS-07-ZT.M30.64 A.051.35.0	on request
DN4"	175.00	97.38	132.50	130.00	BBS-07-ZT.M40.64 A.051.35.0	on request

To find your nearest Bürkert facility, click on the orange box → www.burkert.com

In case of special application conditions, please consult for advice.

Subject to alterations
© Christian Bürkert GmbH & Co. KG

1806/4_EU-en_00895203