



Control head for decentralised automation of ELEMENT process valves

- Contact-free inductive valve position registration (Teach-In function)
- Coloured illuminated status display
- Integrated control air routing in the actuator
- Fieldbus interface AS interface, DeviceNet, IO-Link or Bürkert system bus (büS)
- With ATEX II cat. 3G/D / IECEx approval

Product variants described in the data sheet may differ from the product presentation and description.

Can be combined with

	Type 2100 ▶ Pneumatically operated 2/2 way angle seat valve ELEMENT
	Type 2101 ▶ Pneumatically operated 2/2 way globe valve ELEMENT
	Type 2103 ▶ 2/2 way diaphragm valve with pneumatic stainless steel actuator (Type ELEMENT)
	Type 2104 ▶ T-diaphragm valve with pneumatic actuator in stainless steel (Type ELEMENT)
	Type 2105 ▶ Tank bottom diaphragm valve with pneumatic actuator in stainless steel (Type ELEMENT)
	Type 2106 ▶ Pneumatically operated 3/2 way seat valve ELEMENT

Type description

The control head Type 8691 is designed for decentralized automation of ELEMENT Type 21xx pneumatic process valves. The registration of the valve position is done through a contact-free analogue sensor element, which automatically recognises and saves the valve end position through the Teach function during start-up. The integrated pilot valve controls single or double-acting actuators. As an option a communication interface, AS-Interface, DeviceNet, IO-Link or büS (based on CANopen) can be chosen.

The design of the control head and the actuator enables an internal control air routing without external tubings. Besides the electrical position feedback, the status of the device is shown directly on the control head itself through coloured powerful LEDs, even in difficult ambient conditions.

The housing is easy to clean and features proven IP protection and chemically resistant materials for use in hygienic processing in food, beverage and pharmaceutical industries. Focused on wash down applications, the IP protection of the housing is supported by a positive pressure inside the control head. Combined with Bürkert ELEMENT actuators, the pneumatic actuating system enables spring chamber aeration that avoids actuator chamber contamination from the environment.

Table of contents

1. General technical data	3
1.1. Control head Type 8691	3
1.2. With fieldbus communication: AS-Interface	4
1.3. With digital communication: IO-Link	5
1.4. With digital communication: Bürkert system bus (bÜS)	5
1.5. With fieldbus communication: DeviceNet	5
1.6. Functional overview Control head Type 8691	6
2. Materials	7
2.1. Material specifications	7
3. Dimensions	7
3.1. Mounting on process valve ELEMENT Type 21xx	7
4. Device/Process connections	8
4.1. Electrical connections	8
Without fieldbus communication 24 V DC	8
Cable gland connection	8
4.2. AS-Interface connection	9
4.3. Bürkert system bus (bÜS) connection	9
4.4. IO-Link connection	9
5. Product installation	10
5.1. Combination options with pneumatic process valves	10
6. Ordering information	11
6.1. Bürkert eShop – Easy ordering and quick delivery	11
6.2. Bürkert product filter	11
6.3. Ordering chart	12
6.4. Ordering chart accessories	12
Standard accessories	12
Adapter kits	12

1. General technical data

1.1. Control head Type 8691

Product properties	
Dimensions	Detailed information can be found in chapter “3. Dimensions” on page 7.
Material	
Body	PPS, stainless steel
Seals	EPDM
Cover	PC
Operation	
Operating keys	A key to operate the Teach-Function
Service interface	Connected to PC via USB connection
Configuration tool	Bürkert Communicator
Commissioning	
Setting valve end positions	Automatic using Teach-Function
Manual operation of pilot valve	Yes
Status display	
Display of device and valve status	High-power LEDs (colours individually adjustable)
Communication	
Fieldbus	AS-Interface, DeviceNet, IO-Link
Digital	Bürkert system bus (büS) (based on CANopen)
Performance data	
Functional overview	Detailed information can be found in chapter “1.6. Functional overview Control head Type 8691” on page 6.
Position sensor/Position feedback	
Analogue position sensor	Inductive (contactless) with self-adjusting switching points (PNP) (NPN on request)
Stroke range for linear actuators	
Valve spindle	2.5...45 mm
Electrical data	
Operating voltage	24 V DC \pm 10 % UL: NEC Class 2
Protection class	3 acc. to DIN EN 61140
Residual ripple	10 %
Power consumption	<2 W
Electrical connection	
Multipole version	M12, 8 pin resp. 4-, or 5 pin acc. to device version (see “4. Device/Process connections” on page 8)
Cable gland version	M16 \times 1.5 (Terminal range 5...10 mm) With screw terminals for cable cross sections 0.14...1.5 mm ²
Pneumatic data	
Control medium	
Dust content	Class 7 (< 40 μ m particle size)
Particle density	Class 5 (< 10 mg/m ³)
Pressure dew point	Class 3 (< -20 °C)
Oil content	Class X (< 25 mg/m ³)
Air supply filter	
Mesh size	Exchangeable ~0.1 mm
Supply pressure	3...7 bar ¹⁾
Pilot air ports	Threaded connection G 1/8, stainless steel
Positioning system	
Circuit function	Single and double-acting
Air capacity	250 l _N /min (for aeration and ventilation) (Q _{Nn} value acc. to definition at pressure drop from 7 to 6 bar absolute)
Actuator series/size	Type 21xx, \varnothing actuator 70/90/130 mm

Approvals and certificates	
Conformity	EMC directive 2014/30/EU
Ignition protection	II 3D Ex tc IIIC T135 °C Dc II 3G Ex ec IIC T4 Gc
UL	cULus Certificate: E238179
ATEX	II 3D Ex tc IIIC T135 °C Dc II 3G Ex ec IIC T4 Gc Certificate: BVS 14 ATEX E 008 X
IECEX	Ex tc IIIC T135 °C Dc Ex ec IIC T4 Gc Certificate: IECEX BVS 14.0009 X
Environment and installation	
Installation and mechanical data	
Installation position	As required, preferably with actuator in upright position
Valve actuator (type, size)	ELEMENT Type 21xx (Actuator size Ø70/90/130 mm)
Adapter kits	Detailed information can be found in chapter “Adapter kits” on page 12.
Operating conditions	
Ambient temperature	
With pilot valve	-10...+55 °C
Without Pilot valve	-20...+60 °C
Degree of protection	IP65/IP67 acc. to EN 60529, 4X acc. to NEMA 250 Standard
Operating altitude	Up to 2000 m above sea level

1.) The supply pressure applied must be 0.5 to 1 bar above the minimum required pilot pressure of the valve actuator.

1.2. With fieldbus communication: AS-Interface

Product properties	
Profile	S-B.A.E (A/B-Slave, max. 62 slaves/master) certificate no. 77601 acc. to Specification V3.0 Master class: M3, M4 S-B.F.F (standard slave, max. 31 slaves/master) Master class: M0, M1, M2, M3, M4
Electrical data	
Operating voltage	26.5...31.6 V DC, UL: NEC Class 2
Via Bus cable	Acc. to specification
Isolation from bus signal	On request
Protection class	3 acc. to DIN EN 61140
Power consumption	
Max. current consumption	120 mA
Current consumption in standard operation	90 mA (acc. to current reduction; valve + 1 end position achieved)
Device with external power supply	
	External power supply (The power supply unit must contain one secured disconnection acc. to IEC 364 - 4 - 41 (PELV or SELV))
Max. current consumption	55 mA (acc. to current reduction ≤ 30 mA)
Max. current consumption from ASI	55 mA
Electrical connection	M12, 4 pin
Outputs	
Contact rating	≤ 1 W via AS-Interface
Watchdog function	Integrated
Input	
Sensor operating voltage	24 V ± 10 % (via AS-Interface)
Current carrying capacity	≤ 50 mA short circuit proof
Switching levels, high	≥ 10 V
Input current, high	Limited to 6.5 mA
Input current, low	≤ 1.5 mA
Programming data	See operating manual ▶

1.3. With digital communication: IO-Link

Electrical data	
Electrical connection	M12 × 1, 4 pin
IO-Link Specification	V1.1.2
SIO-Mode	Yes, optionally 2xDO (end positions), or 1xDI+ 1xDO (valve switch + an end position)
VendorID	0x0078, 120
DeviceID	See IODD file (The IODD file can be downloaded from our website ►, see Software > Device Description Files A.04)
Transmission rate	230.4 kbit/s
Data storage	Yes
Max. cable length	20 m
Port class	A
Power supply	Via IO-Link
Operating voltage	18...30 V DC (acc. to specification)
Max. current consumption	135 mA@18 V
Current consumption in standard operation	110 mA@18 V (acc. to current reduction Pilot valve + 1 end position achieved)
Frame type in operation	TYPE_2_V
Min. cycle time	1 ms

1.4. With digital communication: Bürkert system bus (būS)

Electrical data	
Operating voltage	18...30 V DC (acc. to Specification)
Electrical connection	M12 × 1, 5 pin, A-coded
Current consumption	Max. 150 mA

1.5. With fieldbus communication: DeviceNet

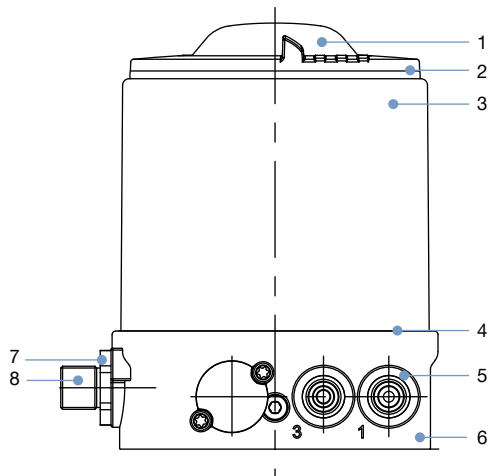
Product properties	
Profile	Group 2 only slave device; MAC-ID and transmission rate through DIP switch
Electrical data	
Power consumption	≤ 80 mA
Operating voltage	11...25 V DC UL: NEC Class 2
Electrical connection	M12-Micro Style - flange connector 5-pins (configuration according DeviceNet specification)
Inputs	
„0”	0...1.5 V
„1”	≥ 8 V
Outputs	
Inrush current	≤ 50 mA
Hold current	≤ 30 mA

1.6. Functional overview Control head Type 8691

Function	Version					
	24 V	IO-Link	AS-Interface Standard-Slave	AS-Interface A/B-Slave	büS/CANopen	DeviceNet
Basic functions						
Teach-Function position sensor	x	x	x	x	x	x
Manual override pilot valve (mechanical)	x	x	x	x	x	x
Manual override pilot valve (electrical)		x			x	
Position feedback valve OPEN/CLOSED	x	x	x	x	x	x
Feedback signal current valve position (intermediate position)		x				
Optical position feedback/status display high-performance LEDs	x	x	x	x	x	x
Inversion of LED colours (colour of optical feedback)	x	x	x	x	x	x
Selection of LED display mode		x			x	
Diagnostic LEDs		x	x	x	x	x
Selection or deactivation of the optical display		x			x	
Date storage function		x				
Locating function		x			x	
büS communication interface (Burkert System Bus)					x	
büS service interface (PC-Tool Bürkert Communicator)		x			x	x
Diagnosis						
Process valve switching cycles counter with definable limit value		x			x	
Pilot valve switching cycles counter		x			x	
Operating hours counter with definable limit value		x			x	
Process valve counter for opening/closing timeout		x			x	
Travel accumulator with definable limit value		x			x	
Active diagnostic messages (feedback when limit values are exceeded)		x			x	
Diagnosis reset command (to reset counter values)		x			x	
Error feedback signal position sensor		x	x	x	x	
Self-monitoring control head with automatic error message		x			x	
Feedback Teach error	x	x	x	x	x	x
Feedback over-temperature		x			x	
Feedback communication error		x	x	x	x	x
Feedback for opening/closing timeout		x			x	
Tolerance for switching time overrun		x			x	
Error detection if the setpoint position is not reached (end positions not reached)		x			x	
Tolerance band of end position detection		x				
Detection of under-voltage and over-voltage of the power supply		x			x	
Log function for error cases		x			x	
Parameterization						
Enable/disable safety position in case of setpoint or bus error		x			x	
Selecting and setting the SIO mode		x				
Selection of digital outputs (end positions) PNP, NPN	x	x				
Selection of digital outputs (end positions) PNP, NPN, PP		x				
Deactivation of local operation (Lock function)		x			x	
Reset function (reset to factory setting)		x			x	

2. Materials

2.1. Material specifications



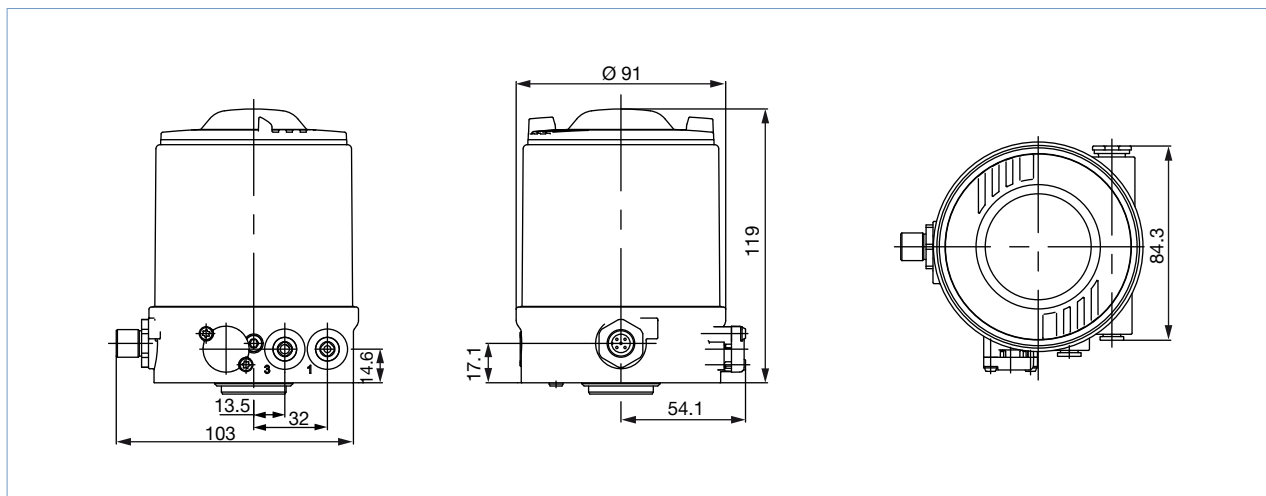
No.	Element	Material
1	Cover	PC
2	Seal	EPDM
3	Outer casing	Stainless steel
4	Seal	EPDM
5	Push-in connector Threaded ports G 1/8	POM/Stainless steel Stainless steel
6	Basic housing	PPS
7	Screws	Stainless steel
8	Plug connector M12	Stainless steel

3. Dimensions

3.1. Mounting on process valve ELEMENT Type 21xx

Note:

Dimensions in mm

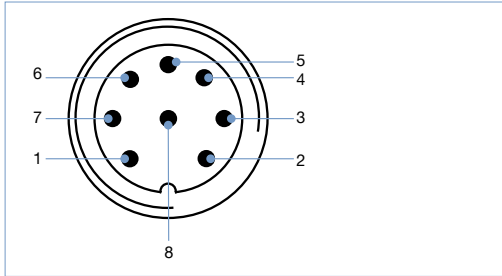


4. Device/Process connections

4.1. Electrical connections

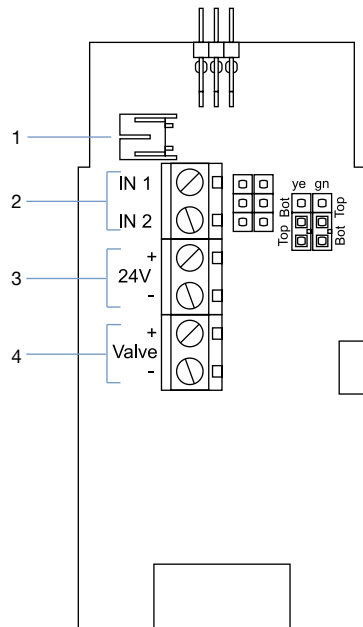
Without fieldbus communication 24 V DC

Circular plug M12, 8 pin



Pin	Description	Pin assignment
1	Limit switches 1	IN 1/TOP
2	Limit switches 2	IN 2/BOTTOM
3	Operating voltage	GND
4	Operating voltage +	24 V DC
5	Valve control +	Valve +
6	Valve control -	Valve
7	-	Not assigned
8	-	Not assigned

Cable gland connection

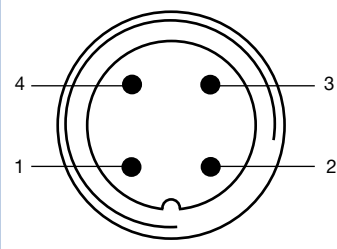


Input signal

Pin	Pin assignment
1	Valve connection
2	Connecting terminals End positions
3	Connecting terminals Supply 24 V DC
4	Connecting terminals Valve (input signal)

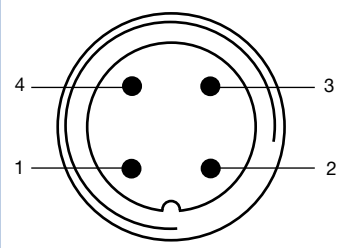
4.2. AS-Interface connection

M12 circular plug, 4 pin, without external power supply



Pin	Description	Pin assignment
1	Bus +	Bus cable AS-Interface +
2	NC (optional)	Not assigned
3	Bus -	Bus cable AS-Interface -
4	NC (optional)	Not assigned

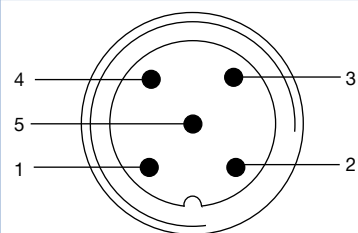
M12 circular plug, 4 pin, with external power supply (on request)



Pin	Description	Pin assignment
1	Bus +	Bus cable AS-Interface +
2	GND (optional)	External power supply
3	Bus -	Bus cable AS-Interface -
4	24 V + (optional)	External power supply

4.3. Bürkert system bus (büS) connection

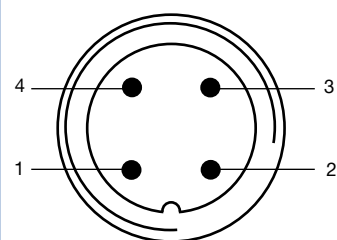
M12 circular plug, 5 pin



Pin	Description	Cable colour
Supply voltage: 11...25 V DC (DeviceNet), 18...30 V DC (büS)		
2	V+	Red
3	V-	Black
Data lines		
1	Drain/Shielding	-
4	CAN_H	White
5	CAN_L	Blue

4.4. IO-Link connection

M12 circular plug, 5 pin



Pin	Description	Pin assignment	
		IO-Link Mode	SIO-Mode
1	L +	24 V DC	
2	I/Q	Not assigned	DI or DO
3	L -	0 V (GND)	
4	Q/C	IO-Link	DI or D0

5. Product installation

5.1. Combination options with pneumatic process valves

Note:

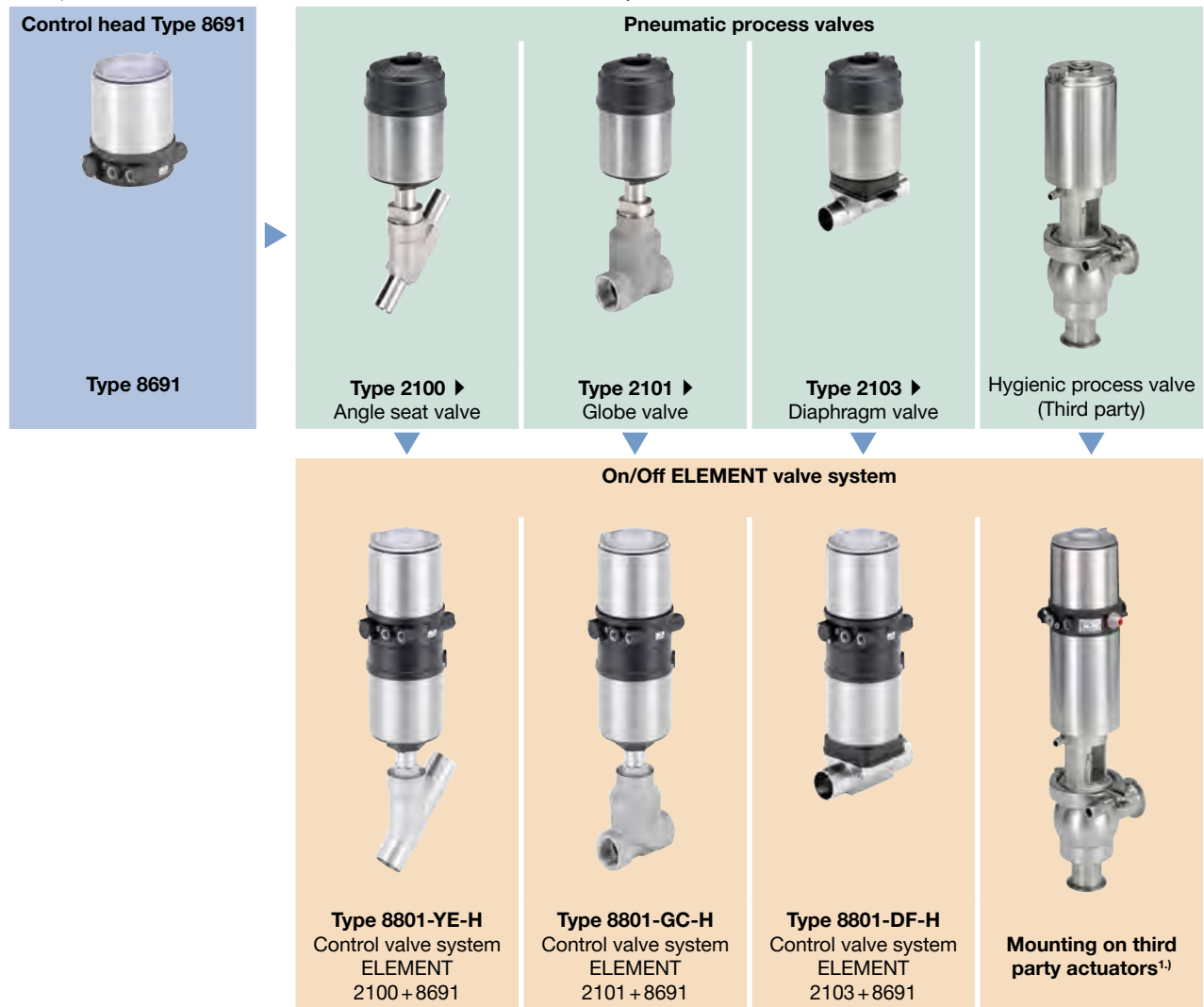
A TopControl control valve system consists of a **control head, Type 8691**, and an **ELEMENT process valve, Type 21xx**.

The following information is required to select a complete system:

- **Article no.** of the desired control head, **Type 8691**
- **Article no.** of the selected process valve, **Type 21xx** (see separate datasheet **Type 2100 ▶, 2101 ▶ and 2103 ▶**)

You order two components and receive a completely assembled and tested valve.

Example of for decentralized automation of On/Off ELEMENT valve systems



1.) See data sheet **adaptations for third-party actuators, KK01 ▶** or contact the appropriate Bürkert sales office.

6. Ordering information

6.1. Bürkert eShop – Easy ordering and quick delivery



Bürkert eShop – Easy ordering and fast delivery

You want to find your desired Bürkert product or spare part quickly and order directly? Our online shop is available for you 24/7. Sign up and enjoy all the benefits.

[Order online now](#)

6.2. Bürkert product filter



Bürkert product filter – Get quickly to the right product

You want to select products comfortably based on your technical requirements? Use the Bürkert product filter and find suitable articles for your application quickly and easily.

[Try out our product filter](#)

6.3. Ordering chart

Note:

Standard versions are UL approved (UL approval IO-Link and büS - Bürkert system bus (büS) in preparation)

Communication	Electrical connection	Circuit function Pilot valve system	Pilot air ports Threaded ports	Article no.	
				Standard	ATEX II Cat. 3G/D, IECEX
AS-Interface Slave profile: S-B.A.E (A/B-Slave, max. 62 Slaves)	M12 circular plug connector	Single-acting	G 1/8	227254	264988
		Double-acting	G 1/8	227240	264975
	M12 circular plug connector/ Flat cable clip/80 cm cable	Single-acting	G 1/8	227258	264990
		Double-acting	G 1/8	227244	264977
DeviceNet	M12 circular plug connector	Single-acting	G 1/8	227255	264989
		Double-acting	G 1/8	227241	264976
IO-Link	M12 circular plug connector	Single-acting	G 1/8	307371	321927
		Double-acting	G 1/8	307368	321925
Bürkert system bus (büS)	M12 circular plug connector	Single-acting	G 1/8	307375	321931
		Double-acting	G 1/8	307373	321929
		Without	G 1/8	307379	321935
Without fieldbus commu- nication	M12 circular plug connector	Single-acting	G 1/8	227262	264992
		Double-acting	G 1/8	227248	264979
		Without	G 1/8	246211	264972
	Cable gland	Single-acting	G 1/8	227260	264991
		Double-acting	G 1/8	227246	264978
		Without	G 1/8	264943	264971

Further versions on request

	Additional büS/CANopen
--	----------------------------------

6.4. Ordering chart accessories

Standard accessories

Description	Article no.
M12 socket, 8 pin with 5 m cable for input and output signals	919267
ASI flat cable clamp with M12 stainless steel socket (spare part)	799646
USB büS interface set (büS stick + connection cable to M12 plug + connection cable M12 to micro USB for the büS service interface) for connection with PC tool Bürkert Communicator	772551
büS cable extension M12, length 1 m	772404
büS cable extension M12, length 3 m	772405
büS cable extension M12, length 5 m	772406
büS cable extension M12, length 10 m	772407
Silencer G 1/8	780779
Sensor Puck (spare part)	682240
Software Bürkert Communicator	LINK

Adapter kits

Adapter kits for third-party actuators can be found in the data sheet **Adaptation for third-party actuators, KK01** or contact the appropriate Bürkert sales office.

Description	Actuator size	Control function	Article no.
Adapter kit for actuator series Type 21xx	Ø 70/90/130 mm	Universal	679917

Bürkert – Close to You

For up-to-date addresses
please visit us at
www.burkert.com

DTS 1000110599 EN Version: Y Status: RL (released | freigegeben | validé) printed: 14.06.2021

