

## Digital inductive conductivity meter



- Fully integrated in Bürkert's process control systems
- Insensitive to coating fluids
- Wide range of applications: Fertiliser dosing, cooling water monitoring, concentration measurement

Type 8223 can be combined with...



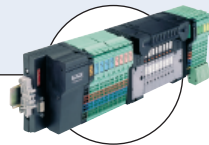
**Type 8802**

TopControl system



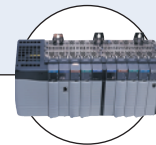
**Type 8792**

Positioner  
SideControl



**Type 8644**

Valve islands



**PLC**

The conductivity meter Type 8223 is available in a splash-proof plastic IP65 housing.

The sensor component consists of two magnetic coils in a PP, PVDF or PEEK sensor holder. In order to measure conductivity, an AC voltage source is connected to the primary magnetic coil. The magnetic field induced generates a current in the secondary magnetic coil. The intensity of the induced current is a direct function of the conductivity of the solution.

The integrated temperature sensor for automatic compensation is a standard feature in the sensor holder. The device functions in a 3-wire circuit and requires a power supply of 12 - 30 V DC.

4... 20 mA standard signal is available as output signal, proportional to the conductivity or the temperature of the fluid.

A wide range of stainless steel, brass and plastic fittings are available (see data sheet Type S020).

Technical data	
<b>General data</b>	
<b>Compatibility</b>	with fittings S020 (see corresponding data sheet)
<b>Materials</b>	
Housing / Nut	PEHD / PC glass reinforced fibre
Cable plug / Screws	PA / Stainless steel
Wetted parts materials	
Fitting	Brass, stainless steel 1.4404/316L, PVC, PP or PVDF
Sensor holder / Seal	PP, PVDF or PEEK / FKM or EPDM
<b>Electrical connections</b>	Cable plug acc. to EN 175301-803
<b>Connection cable</b>	Shielded, cross-section: max. 1.5 mm <sup>2</sup>
<b>Complete device data (fitting + electronic module)</b>	
<b>Pipe diameter</b>	DN15 to DN200
<b>Conductivity measurement</b>	
Measuring range	80 µS/cm to 1 mS/cm - 800 µS/cm to 10 mS/cm 8 mS/cm to 100 mS/cm - 80 mS/cm to 1 S/cm
Accuracy	±2% of F.S.*
<b>Temperature measurement</b>	
Measuring range	-10 to +80°C
Accuracy	±2% of F.S.* (within 0 to +70°C)
<b>Medium temperature</b>	with fitting in PVC: 0 to 50°C, PP, PVDF, stainless steel, brass: -10 to 80°C
<b>Temperature compensation</b>	automatic (with integrated temperature sensor - reference temperature 25°C)
<b>Medium pressure max.</b>	PN6 (see pressure/temperature chart)
<b>Electrical data</b>	
<b>Power supply</b>	12 - 30 V DC (filtered and regulated)
<b>Current consumption with sensor</b>	≤ 50 mA + 22 mA analog output
<b>Output: analog signal</b>	4... 20 mA configurable, proportional to conductivity or temperature max. load: 1000 Ω at 30 V DC; 690 Ω at 24 V DC; 300 Ω at 15 V DC; 150 Ω at 12 V DC

\* of F.S. = of full scale

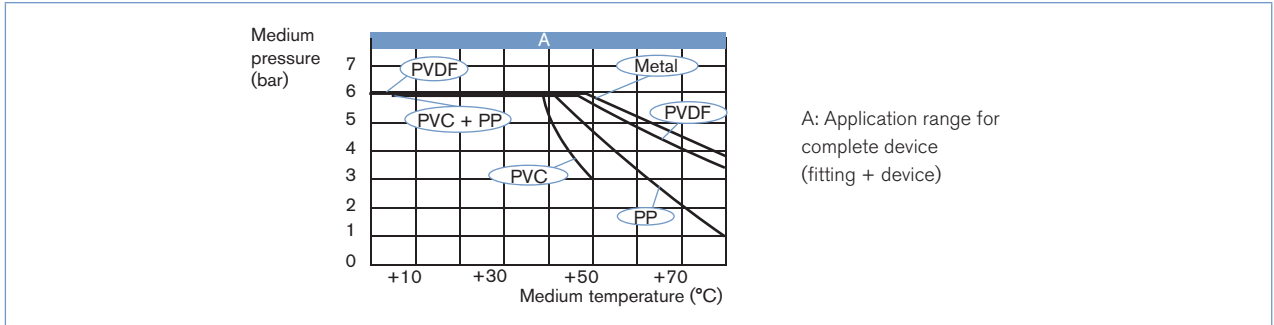
Environment	
Ambient temperature	0 to 60°C (operation and storage)
Relative humidity	≤ 80%, without condensation
Standard, directives and approvals	
Protection class	IP65 with cable plug mounted and tightened
Standard and directives	EN 50081-1, EN 50082-2 Complying with article 3 of §3 from 97/23/CE directive.*
EMC	
Pressure	

\* For the 97/23/CE pressure directive, the device can only be used under following conditions (dependent on max. pressure, pipe diameter and fluid).

Type of fluid	Conditions
Fluid group 1, §1.3.a	DN ≤ 25 only
Fluid group 2, §1.3.a	DN ≤ 32, or DN > 32 and PN*DN ≤ 1000
Fluid group 1, §1.3.b	DN ≤ 200
Fluid group 2, §1.3.b	DN ≤ 200

### Pressure/temperature diagram

Please be aware of the fluid pressure/temperature dependance according to the respective fitting+sensor holder material as shown in the diagram.

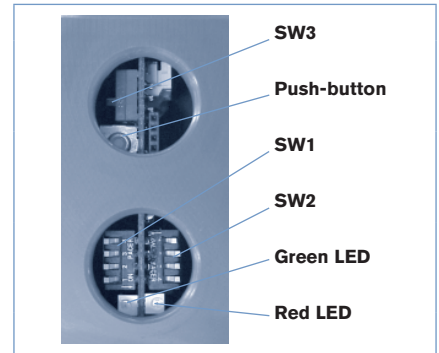


### Configuring

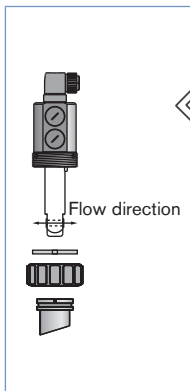
Configuration is done by DIP switches

- SW1:** Selection of
  - ▶ measuring range (switches 1 and 2)
  - ▶ filtering level of conductivity (switches 3 and 4)
- SW2:** Selection of
  - ▶ temperature compensation or
  - ▶ transmission of temperature on 4... 20 mA output
- SW3:** Selection of
  - ▶ current output mode, sinking or sourcing

Push-button allows calibration of sensor "zero conductivity" point.



### Installation

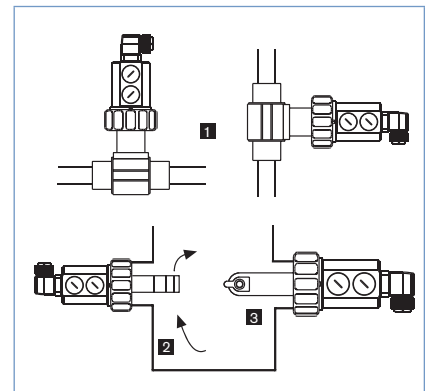


The 8223 conductivity meter can easily be installed into any Bürkert insertion fitting system (S020) by just fixing the main nut.

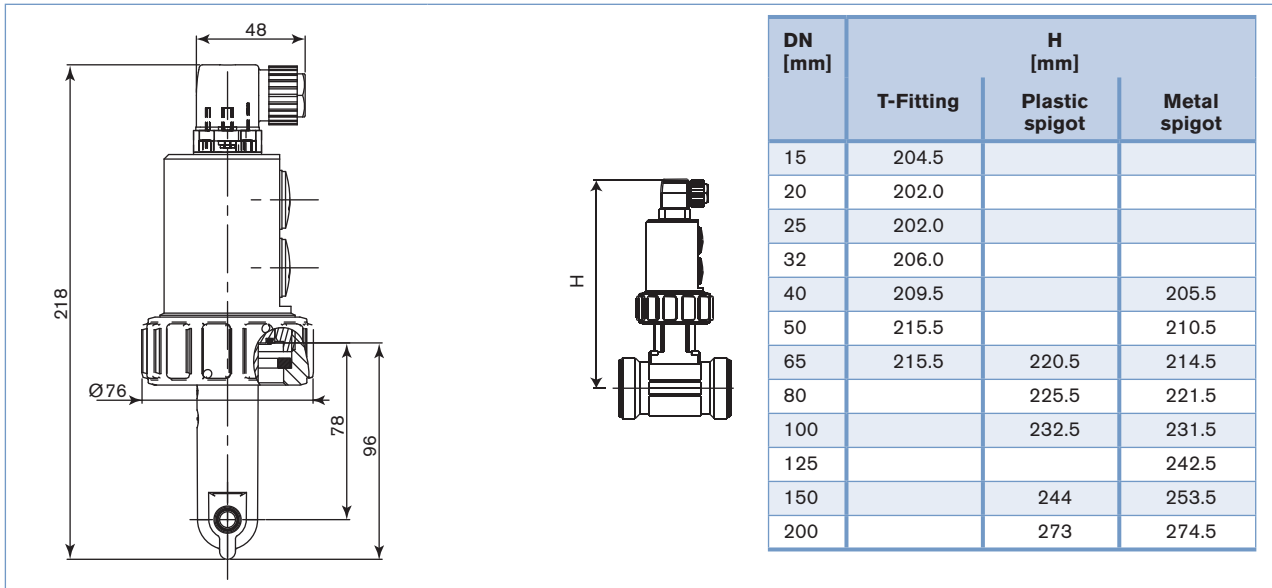
The device must be protected against constant heat radiation and other environmental influences, such as magnetic fields or direct exposure to sunlight

The device can be mounted in following positions:

- 1- Horizontal or vertical pipes
- 2- Mounting in tank without mixer
- 3- Mounting in tank with mixer.



## Dimensions [mm]



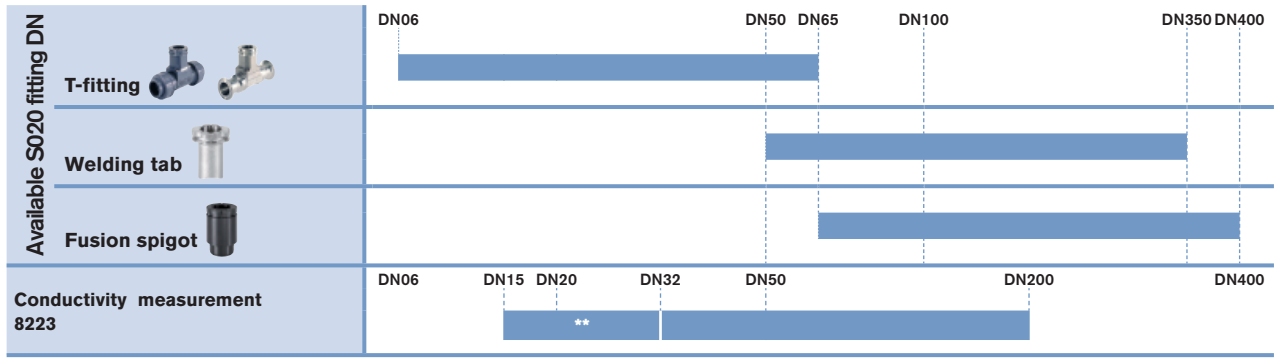
## Ordering chart for conductivity meter Type 8223

Voltage supply	Output	Sensor holder material	Electrical connection	Item no.
12 - 30 V DC	4... 20 mA	PP	Cable plug EN 175301-803	558 767
		PVDF	Cable plug EN 175301-803	440 440
		PEEK	Cable plug EN 175301-803	550 335

## Ordering chart - accessories for conductivity meter Type 8223

Description	Item no.
Ring	619 205
PC - nut	619 204
Set with 1 green FKM + 1 black EPDM seal	552 111
Cable plug EN 175301-803 with cable gland (Type 2508)	438 811
Cable plug EN 175301-803 with NPT1/2" reduction without cable gland (Type 2509)	162 673

Combining the conductivity meter Type 8223 with fittings Type S020



\*\* Only use plastic fitting in analytical version with true union acc. to DIN 8063 (PVC), to DIN 16962 (PP) or to ISO 10931 (PVDF)

Phase out

DTS 1000011773 EN Version: K Status: PO (Phase out | Phase out | Phase out) printed: 28.07.2016

To find your nearest Bürkert office, click on the orange box →

[www.burkert.com](http://www.burkert.com)

In case of special application conditions, please consult for advice.

Subject to alteration.  
© Christian Bürkert GmbH & Co. KG

1210/10\_EU-en\_00891873