



Positive displacement low flow sensor

- For highly viscous fluids
- Value indication, monitoring, transmitting, On/Off control and batch control in combination with different transmitters

Type 8071 can be combined with...



Type 8025

Universal flow transmitter



Type 8619

multiCELL transmitter/controller



Type 2101 (8692)

Continuous TopControl system



PLC

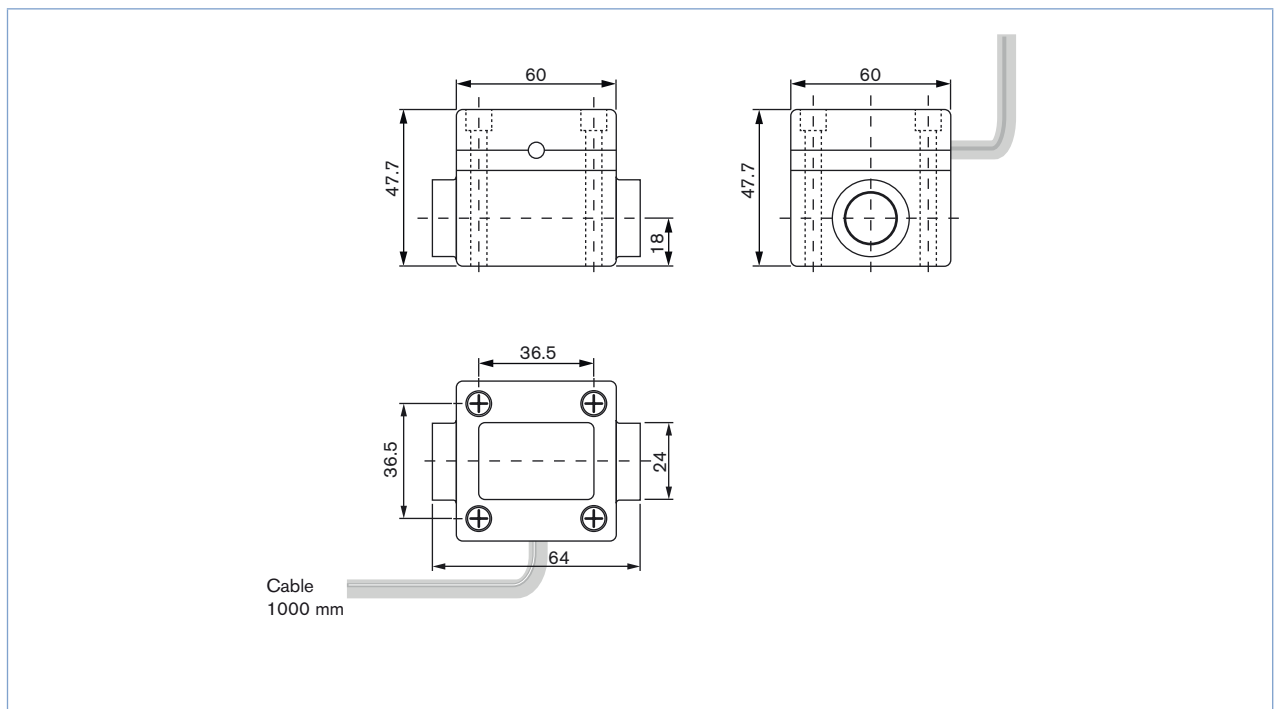
This positive displacement sensor is specially designed for measurement or batch control of highly viscous fluids like glue, honey or oil. It allows an easy connection to transmitters like type 8025 and 8619 for more functionality. The design of this low flow sensor is based on the oval rotor principle. This has proven to be a reliable and highly accurate volumetric method of measuring flow. Exceptional repeatability and high accuracy over a wide range of viscosities and flow rates are features of that design. The low pressure drop and high pressure rating make it suitable for both gravity and pump (in-line) applications. All sensors provide Open Collector NPN frequency output and frequency output on Reed contact via 1 meter 5-wire cable with open ends.

General data

Compatibility	with Type 8025 Universal transmitter/batch controller or Typ 8619 multiCELL transmitter/Controller (see corresponding data sheet)
Materials	Body Rotor Shaft Seal
Process connection	Thread 1/4" (G or NPT)
Electrical connections	5-wire cable, 1 m length
Measuring range	0.5 to 500 l/h (0.13 to 132 gph)
Medium temperature max.	80 °C (176 °F)
Medium pressure max.	5 bar (72 PSI)
Viscosity	1 Pa.s. max. (higher on request)
Max. particle size	75 µm - To prevent damage from dirt or foreign matter, we strongly recommend the installation of a 75 µm (200 mesh) strainer as close as possible to the inlet side of the meter.
Accuracy	≤ ± 1% of Reading
Repeatability	≤ 0.03% of Reading
Environment	
Ambient temperature	+ 80 °C (176 °F) max. (operating and storage)
Relative humidity	≤ 85%, without condensation

Electrical data	
Sensor type	Hall effect sensor or Reed contact
Current consumption	≤ 9 mA (Hall effect sensor)
Output frequency	
Hall effect sensor	Open collector, NPN, max. 25 mA, 4.5 to 24 V DC
Reed contact	switching voltage 30 V DC, max. current, 0.5 A
K-factor	
0.5 - 100 l/h	1000 pulses/l
15 - 500 l/h	400 pulses/l
Standards, directives and approvals	
Protection class	IP54 (NEMA 13)

Dimensions [mm]



Ordering chart for flowmeter Type 8071

Process connection	Flow Range		Body material	Max. pressure	Rotor / shaft material	Seal	Article no.
	> 5 mPa.s.	< 5 mPa.s.					
G ¼	0.5 - 100 l/h (0.13 to 26.4 gph)	2 - 100 l/h (0.53 to 26.4 gph)	PPS	5 bar	PPS / Hastalloy C	FFKM	432288
	15 - 500 l/h (4.00 to 132 gph)	40 - 500 l/h (10.56 to 132 gph)	PPS	5 bar	PPS / Hastalloy C	FFKM	430856
NPT ¼	0.5 - 100 l/h (0.53 to 26.4 gph)	2 - 100 l/h (0.53 to 26.4 gph)	PPS	5 bar	PPS / Hastalloy C	FFKM	448654
	15 - 500 l/h (4.00 to 132 gph)	40 - 500 l/h (10.56 to 132 gph)	PPS	5 bar	PPS / Hastalloy C	FFKM	448655

* > 1 Pa.s.

Ordering chart for accessories

Description	Article no.
Set of two rotors in PPS for measuring range 0.5 - 100 l/h	550921
Set of two rotors in PPS for measuring range 15 - 500 l/h	550922
FFKM seal	550959
Set of PPS cap with hall sensor and Reed contact	553654

To find your nearest Bürkert office, click on the orange box →

www.burkert.com