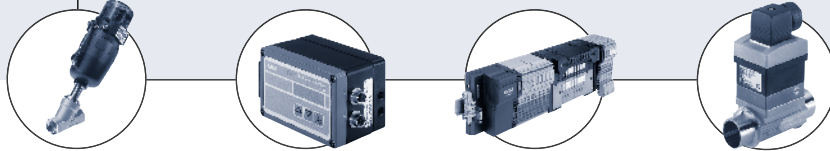


Type 8032 can be combined with...

**Type 2702 (8630)**

Control valve with
TopControl

Type 1067


Continuous
SideControl

Type 8644-P AirLINE

Valve Island with
electronic I/O

Type 8030

Only with
8032 remote

- Indication, monitoring, transmitting and On/Off control in one device.
- Programmable outputs (Transistor or relay)
- Automatic-calibration: TEACH-IN
- Communication – external setpoints and/or process value (4–20 mA) or AS-interface
- Approvals: 

This intelligent paddle-wheel switch with display is designed for use in clear, neutral or aggressive liquids and specially to switch a valve and to establish a monitoring system or an On/Off control loop. The switching points can be programmed with the 3-key keypad under the display or optionally, for the compact 8032 only, from an external source over a 4–20 mA loop.

The compact 8032 is proposed with ON/OFF output, or with external setpoints and/or process value outputs or also in AS-interface version. The remote 8032 has a transistor output.

The connection to the process in the piping is done with the quarter-turn technique of the INLINE fittings.

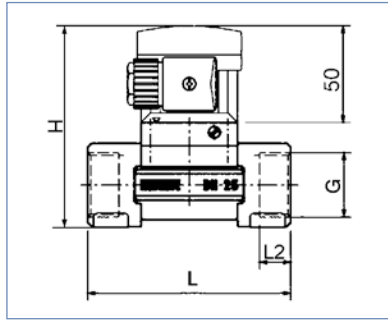
| Fitting data | |
|---------------------------------------|--|
| Pipe diameter | 1/4" – 2 1/2" (DN 6 up to DN 65) |
| Measuring range | 1.0 f/s up to 32.8 f/s (0.3 m/s up to 10 m/s) |
| Fitting | Type S030 (see corresp. data sheet) |
| Sensor element | Paddle-wheel of the fitting S030 |
| Materials wetted parts | PVDF, ceramic |
| Medium data | |
| Medium temperature (max.) | 32°F up to 122°F (with PVC fitting) 32°F up to 176°F (with PP fitting) 32°F up to 212°F (with Stainless steel, brass, PVDF fitting) |
| Fluid pressure max. | 140 PSI (PN10) (with plastic fitting) 230 PSI (PN16) (with metal fitting) |
| Viscosity | 300 cSt. |
| Electronic module data | |
| Switching accuracy | Teach-In ±1% fs. Standard K-factor ±1% fs., ±3% of measured value |
| Programming mode | Threshold, window or hysteresis |
| Repeatability | 0.4% |
| Voltage supply | 8032 compact 12–30 VDC 8032 remote Depends on the remote sensor: 8041-→ 18–30 VDC 8020; 8030-→ 12–30 VDC other-→ min.12 VDC, max. 30 VDC |
| Reversed polarity of DC | Protected |
| Outputs transistor 8032 remote | NPN and PNP, 700 mA, 30 VDC max. |
| Outputs 8032 | |
| Transistor (programmable) | NPN and PNP, open collector, 5–30 VDC, 700 mA max. protected against short circuits |
| Relay (programmable) | 3A/250 VAC or 3A/30 VDC 3A/48 VAC or 3A/30 VDC ¹⁾ |
| Process value (option) | 4–20mA, galvanic insulation Loop resistance: 1100 Ω at 32 V |

| Electronic module data (continued) | |
|--|---|
| | 800 Ω at 24 V 500 Ω at 18 V |
| Input External Setpoint 8032 | 4–20 mA, galvanic insulation Max. input impedance: 250 Ω |
| Input frequency 8032 remote | Pulse signal: 2 to 400 Hz Input impedance: 10 kΩ |
| Fieldbus | AS-Interface |
| Current consumption | |
| 8032 | Max. 80 mA (no load) |
| 8032 remote | Max. 50 mA (no load) + remote sensor current consumption |
| Materials | |
| Housing | PC +20% glass fiber |
| Seal | FKM (EPDM option) |
| Front panel folio | Polyester |
| Wall-mounted holder | PVC |
| Electrical connections | |
| Cable plug | EN 175301-803 |
| Multipin | 5 pin M12/ 4 pin M12 / 8 pin M12 |
| General data | |
| Ambient temperature | 32°F up to 140°F (0 to 60 °C) |
| Voltage supply cable | |
| Cross-section | 0.14 up to 0.5 mm ² |
| Recommended length | Max. 100m, shielded |
| Remote sensor connection length | |
| Max. length /Max. cross-section | 50 m / 0.5 mm ² |
| Protection class | IP65 with cable plug |
| Standards | |
| EMC | EN 50081–1, 50082 –2 |
| Security | EN 61010-2 |
| Vibration | EN 60068–2–6 |
| Shock | EN 60068–2–27 |

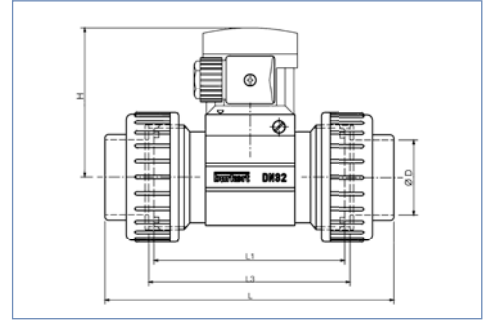
¹⁾Valid for: External setpoint input, process value output and AS-interface

Dimensions [mm]

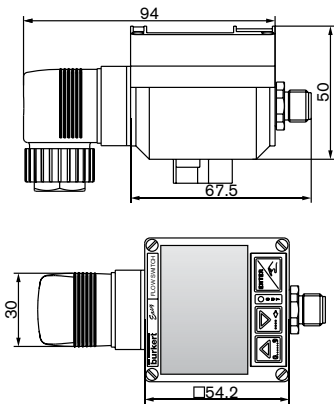
Type 8032 with brass or stainless steel fitting and threaded port connection. (Dimensions: see ordering chart for Type S030 compact body)



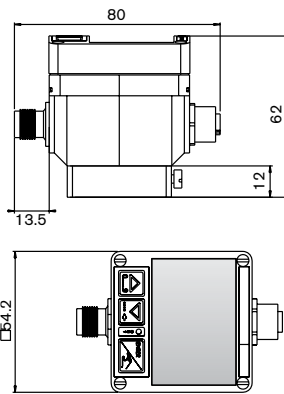
Plastic fitting with solvent or welded socket and union nut. (Dimensions: see ordering chart for Type S030 compact body)



8032 compact

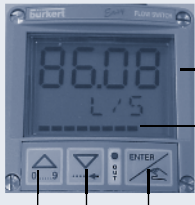


8032 remote



Main features

Display



Large digital display with 8 characters (4 digital characters and 4 alphanumeric characters)

Bargraph

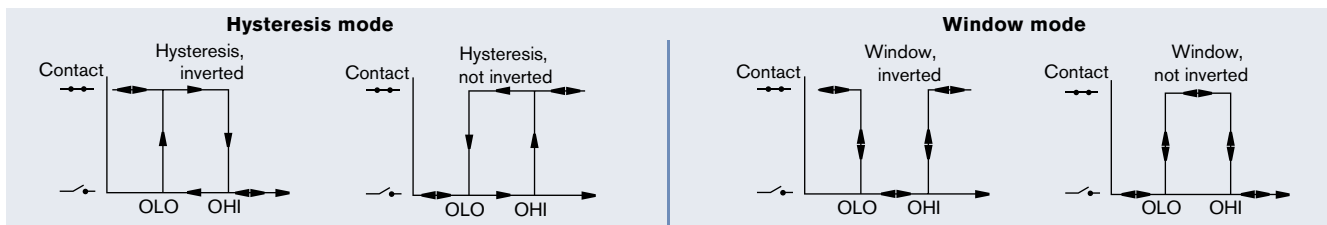
3 keys to go through the menus and program the device

Software main features

- International measuring units
- 10-segment bargraph
- Teach-In for a better accuracy
- Simulation mode to test the programming of the switching points, in dry conditions

8032 with standard On/Off output

- 2 switching modes for the output, either hysteresis or window, inverted or not



- Programmable delay before switching
- Possible outputs depending on the version: relay, transistor NPN, transistor PNP.

Main features (continued)

► **8032 with external setpoint option**

The switching points are automatically adjusted by the 4-20 mA input signal originating from a PLC.

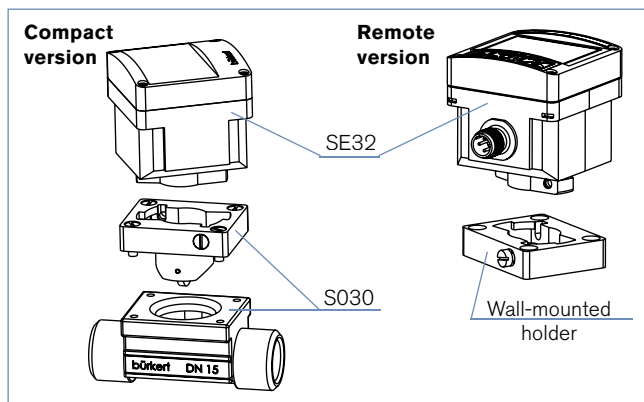
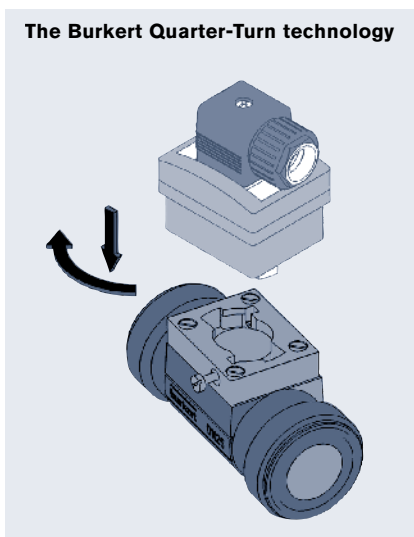
- Power supplied by the PLC
- On/Off relay output

► **8032 with process value option**

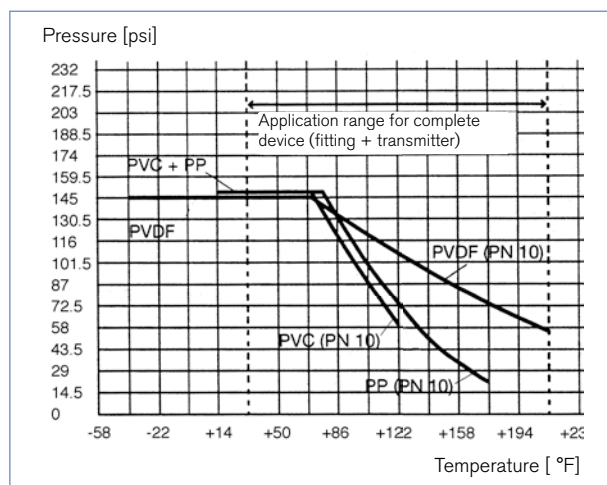
This version delivers an electric signal whose value is the image of the measured quantity.

- On/Off relay output
- 4-20 mA output
- External setpoint (4-20 mA input)

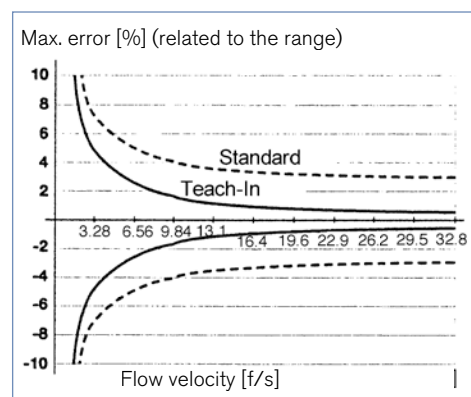
Design



Pressure-temperature chart for plastic fittings with INLINE sensors



Errors-in-measurement chart



Presentation of max. errors in measurement in %
 Standard: $\leq \pm(0.5\% \text{ o.F.S.} + 2.5\% \text{ o.R.})$
 Teach-In: $\leq \pm 0.5\% \text{ o.F.S.}$
 o.F.S. = of Full Scale (32.8 ft/s)
 o.R. = of Reading

DTS 1000082466 EN Version: B Status: RL (released | freigegeben | validé) printed: 10.01.2018

Ordering charts

A compact flow controller Type 8032 consists of 2 basis units as follows:

1. Compact electronic module SE32
2. INLINE fitting S030 (has to be ordered separately - see corresponding data sheet)

Ordering chart display and electronic type SE32 for fitting S030

| Voltage/ frequency | Inputs | Outputs | Connection possibilities | Item no. * |
|-----------------------|-----------------------|---|---|------------|
| 12 - 30 VDC | - | NPN transistor | Conduit cable plug Type 2508, DIN 43650 | US08572 |
| | - | PNP transistor | Conduit cable plug Type 2508, DIN 43650 | US08571 |
| | - | NPN and PNP transistors | 5-pin circular connector M12 | US08570 |
| | - | NPN and PNP transistors (UR/CSA approved) | 5-pin circular connector M12 | US09678 |
| | - | Relay | 5-pin circular connector M12 and conduit cable plug type 2508 DIN 43650 | US08569 |
| | 4-20 mA ¹⁾ | Relay | 5-pin circular connector M12 and conduit cable plug type 2508 DIN 43650 | US08568 |
| ASi Bus | ASi | ASi + Relay | 4-pin circular connector M12 and conduit cable plug type 2508 DIN 43650 | US08567 |
| 12 - 30 VDC | 4-20 mA ¹⁾ | 4-20 mA ²⁾ + Relay | 8-pin circular connector M12 and conduit cable plug type 2508 DIN 43650 | US08566 |

¹⁾External setpoint ²⁾Process value output

* Includes all necessary electrical plugs

Ordering chart for display / electronics for Type 8032 remote

A remote controller Type 8032 consists of 2 basis units as follows:

1. Remote electronic module SE32
2. Flow sensor type 8020, 8030, 8030-HT, 804 or 8070 - frequency output with pulse signal (see corresponding data sheet).

Display and electronics Type 8032 remote version

| Voltage supply | Input | Output | Connector | Item no. * |
|-------------------|-----------|-------------|---------------------------------------|------------|
| 12-30 VDC | frequency | NPN and PNP | M12 male 5 pins and M12 female 4 pins | US07552 |

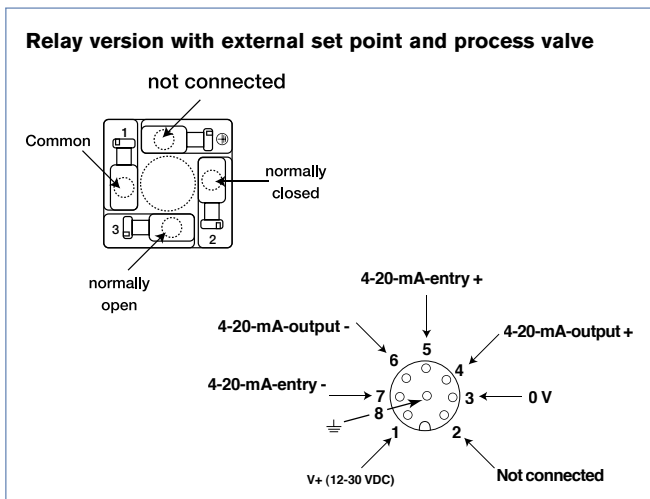
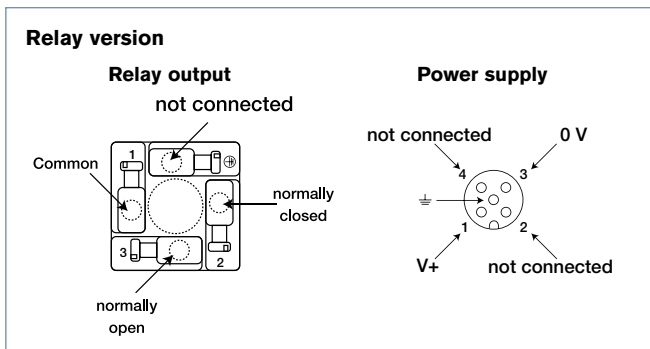
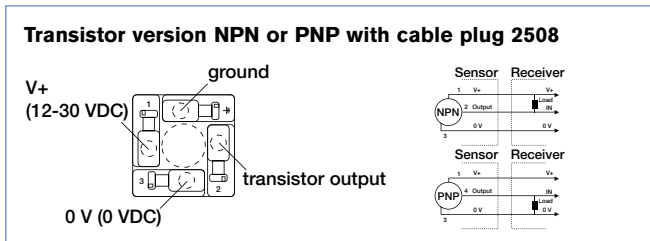
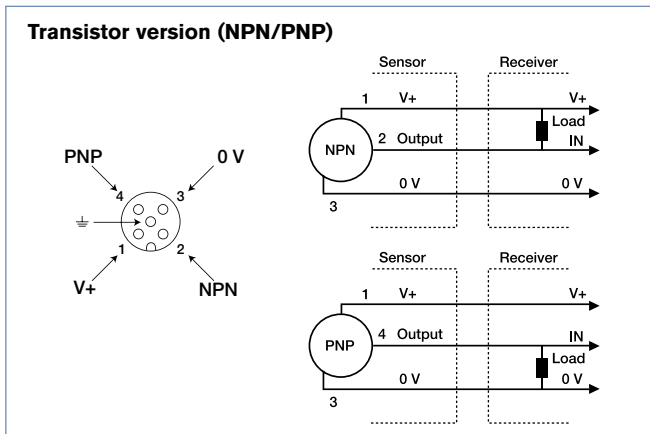
* Includes all necessary electrical plugs

Ordering chart for accessories

| Accessories | Item no. |
|--|----------|
| 5-pin M12 female cable connector with plastic threaded locking ring | 917 116 |
| 5-pin M12 female connector moulded-on cable (2 m, shielded) | 438 680 |
| 4-pin M12 male cable connector with plastic threaded locking ring | 448 856 |
| 4-pin M12 male connector moulded-on cable (2 m, shielded) | 448 857 |
| 8-pin M12 female cable connector with plastic threaded locking ring | 444 799 |
| 8-pin M12 female connector moulded-on cable (2 m) | 444 800 |
| 2-pin M12 female coupler module for ribbon cable (AS-Interface version only) | 440 653 |

Electrical connections

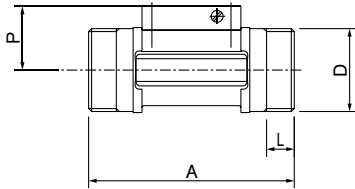
DTS 1000082466 EN Version: B Status: RL (released | freigegeben | validé) printed: 10.01.2018



INLINE fitting dimensions [mm]

Internal thread
Stainless steel (316L - 1,4404)
or brass (CuZn39Pb2)

NPT
G
Rc

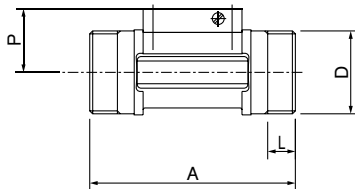


| Orifice DN [mm] | P [mm] | A [mm] | D [inch] | L [mm] |
|-----------------|--------|--------|-----------|--------|
| 1/2" (15) | 34.5 | 85.0 | NPT 1/2 | 17.0 |
| | | | G 1/2 | 16.0 |
| | | | Rc 1/2 | 15.0 |
| 3/4" (20) | 32.0 | 95.0 | NPT 3/4 | 18.3 |
| | | | G 3/4 | 17.0 |
| | | | Rc 3/4 | 16.3 |
| 1" (25) | 32.2 | 105.0 | NPT 1 | 18.0 |
| | | | G 1 | 23.5 |
| | | | Rc 1 | 18.0 |
| 1 1/4" (32) | 35.8 | 120.0 | NPT 1 1/4 | 21.0 |
| | | | G 1 1/4 | 23.5 |
| | | | Rc 1 1/4 | 21.0 |
| 1 1/2" (40) | 39.6 | 130.0 | NPT 1 1/2 | 20.0 |
| | | | G 1 1/2 | 23.5 |
| | | | Rc 1 1/2 | 19.0 |
| 2" (50) | 45.7 | 150.0 | NPT 2 | 24.0 |
| | | | G 2 | 27.5 |
| | | | Rc 2 | 24.0 |

DTS 1000082466 EN Version: B Status: RL (released | freigegeben | validé) printed: 10.01.2018

Externall thread
Stainless steel (316L - 1,4404)
or brass (CuZn39Pb2)
or PVC (only DN6 and 8)
or PVDF (only DN 8)

G

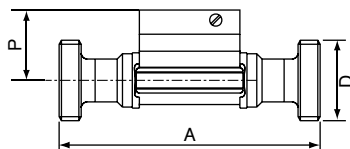


| Orifice DN [mm] | P [mm] | A [mm] | D [inch] | D [mm] | L [mm] |
|-----------------|--------|--------|--------------|-----------|--------|
| 1/4" (15) | 29.5 | 90.0 | 1/4 or 1/2** | - | 14.0 |
| 5/16 (8) | 29.5 | 90.0 | 1/2** | M16 x 1.5 | 14.0 |
| 1/2" (15) | 34.5 | 84.0 | G 3/4 | - | 11.5 |
| 3/4" (20) | 32.0 | 94.0 | G 1 | - | 13.5 |
| 1" (25) | 32.2 | 104.0 | G 1 1/4 | - | 14.0 |
| 1 1/4" (32) | 35.8 | 119.0 | G 1 1/2 | - | 18.0 |
| 1 1/2" (40) | 39.6 | 129.0 | - | M 55 x 2 | 19.0 |
| 2" (50) | 45.7 | 149.0 | - | M 64 x 2 | 20.0 |

** NPT, G or RC according fitting version

Externall thread
Stainless steel (316L - 1,4404)

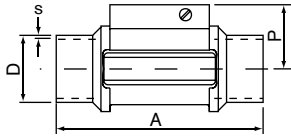
SMS1145



| Orifice DN [mm] | P [mm] | A [mm] | D |
|-----------------|--------|--------|-------------|
| 25 | 32.0 | 130 | Rd40 x 1/6" |
| 40 | 35.8 | 164 | Rd60 x 1/6" |
| 50 | 39.6 | 173 | Rd70 x 1/6" |

INLINE fitting dimensions [mm]

Welding ends
Stainless steel (316L - 1,4404)
BS 4825 / ASME BPE
ISO 4200
SMS 3008
DIN 11850 Rg2

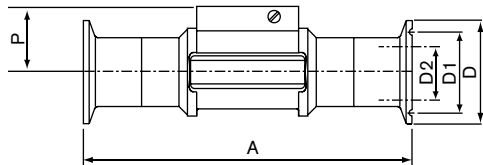


| Orifice DN [mm] | P [mm] | A [mm] | Standard | D [mm] | S [mm] |
|-----------------|--------------|----------------|---|---------------------------------|----------------------|
| 5/16" (08) | 29.5 | 90.0 | ISO 4200 - SMS 3008 ASME BPE DIN 11850 Rg2 | - - - 13.00 | - - - 1.50 |
| 1/2" (15) | 34.5 | 84.0 | ISO 4200 21.30 SMS 3008 ASME BPE DIN 11850 Rg2 | 1.60 - - 19.00 | - - - 1.50 |
| 3/4" (20) | 32.0 34.5 | 94.0 84.0 | ISO 4200 26.90 SMS 3008 ASME BPE DIN 11850 Rg2 | 1.60 20.00 19.05 23.00 | 1.00 1.65 1.50 |
| 1" (25) | 32.2 32.0 | 104.0 94.0 | ISO 4200 33.70 SMS 3008 BS 4825/ASME BPE DIN 11850 Rg2 | 2.00 25.00 25.40 29.00 | 1.20 1.65 1.50 |
| 1 1/4" (32) | 35.8 32.2 | 119.0 104.0 | ISO 4200 42.40 SMS 3008 BS 4825/ASME BPE DIN 11850 RG2 | 2.00 - 32.00 35.00 | - 1.60 1.50 |
| 1 1/2" (40) | 39.6 35.8 | 129.0 119.0 | ISO 4200 48.30 SMS 3008 BS 4825/ASME BPE DIN 11850 Rg2 | 2.00 38.00 38.10 41.00 | 1.20 1.65 1.50 |
| 2" (50) | 45.7 39.6 | 149.0 128.0 | ISO 4200 60.30 SMS 3008 BS 4820/ASME BPE DIN 11850 Rg2 | 2.00 51.00 50.80 53.00 | 1.20 1.65 1.50 |
| 2 1/2" (65) | 45.7 | 147.0 | ISO 4200 - SMS 3008 BS 4825/ASME BPE DIN 11850 Rg2 | - 63.50 63.50 - | 1.60 1.65 - |

INLINE fitting dimensions [mm]

Tri-Clamp®
Stainless steel (316L - 1,4404)
BS 4825 / ASME BPE*
ISO (for pipe ISO 4200)
SMS 3017 / ISO 2852*
DIN 32676

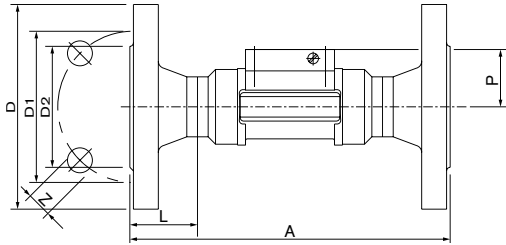
*Available with internal surface finish Ra=0.8µm



| Orifice DN [mm] | P [mm] | A [mm] | Standard | D2 [mm] | D1 [mm] | D [mm] |
|--------------------|-----------|-----------|-------------------------|------------|------------|-----------|
| 5/16" (08) | - | - | ISO (for pipe ISO 4200) | - | - | - |
| | | | SMS 3017/ISO 2852 | - | - | - |
| | | | ASME BPE | - | - | - |
| | | | DIN 32676 | 10.00 | 27.5 | 34.0 |
| 1/2" (15) | 34.5 | 130.0 | ISO (for pipe ISO 4200) | 18.1 | 27.5 | 34.0 |
| | | | SMS 3017/ISO 2852 | - | - | - |
| | | | ASME BPE | - | - | - |
| | | | DIN 32676 | 16.00 | 27.5 | 34.0 |
| 3/4" (20) | 32.0 | 150.0 | ISO (for pipe ISO 4200) | 23.7 | 43.5 | 50.5 |
| | | | SMS 3017/ISO 2852 | - | - | - |
| | 34.5 | - | ASME BPE | 15.75 | - | 25.0 |
| | | | DIN 32676 | 22.00 | 27.5 | 34.0 |
| 1" (25) | 32.2 | 160.0 | ISO (for pipe ISO 4200) | 29.7 | 43.5 | 50.5 |
| | | | SMS 3017/ISO 2852 | 22.6 | 43.5 | 50.5 |
| | 32.0 | 129.0 | BS 4825/ASME BPE | 22.1 | 43.5 | 50.5 |
| | | | DIN 32676 | 26.0 | 43.5 | 50.5 |
| 1 1/4" (32) | 35.8 | 180.0 | ISO (for pipe ISO 4200) | 38.4 | 43.5 | 50.5 |
| | | | SMS 3017/ISO 2852 | - | - | - |
| | - | - | ASME BPE | - | - | - |
| | | | DIN 32676 | - | - | - |
| 1 1/2" (40) | 39.6 | 200.0 | ISO (for pipe ISO 4200) | 44.3 | 56.5 | 64.0 |
| | | | SMS 3017/ISO 2852 | 35.6 | 43.5 | 50.5 |
| | 35.8 | 161.0 | BS 4825/ASME BPE | 34.8 | 43.5 | 50.5 |
| | | | DIN 32676 | 38.0 | 43.5 | 50.5 |
| 2" (50) | 45.7 | 230.0 | ISO (for pipe ISO 4200) | 55.1 | 70.5 | 77.5 |
| | | | SMS 3017/ISO 2852 | 48.6 | 56.5 | 64.0 |
| | 39.6 | 192.0 | BS 4825/ASME BPE | 47.5 | 56.5 | 64.0 |
| | | | DIN 32676 | 50.0 | 56.5 | 64.0 |
| 2 1/2" (65) | 45.7 | 216.0 | SMS 3017/ISO 2852 | 60.3 | 70.5 | 77.5 |
| | | | BS 4825/ASME BPE | 60.2 | 70.5 | 77.5 |
| | | | DIN 32676 | - | - | - |

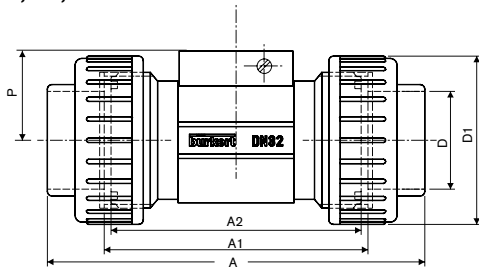
INLINE fitting dimensions [mm]

Flange
Stainless steel (316L - 1,4404)
ANSI B16-5-1988
DIN 2633 (ISO PN16)
JIS 10K



| Orifice DN [mm] | P [mm] | A | | NORM | L [mm] | Z [mm] | D2 [mm] | D1 [mm] | D [mm] | | | | |
|-----------------------|-----------|----------------------|-------------|------|-----------|-----------|------------|------------|-----------|--------|------|-------|-------|
| | | DIN/ ANSI [mm] | JIS [mm] | | | | | | | | | | |
| 1/2" (15) | 34.5 | 130.0 | 152.0 | DIN | 23.5 | 4x14.0 | 45.0 | 65.0 | 95.0 | | | | |
| | | | | ANSI | | | | | | 4x15.8 | 34.9 | 60.3 | 89.0 |
| | | | | JIS | | | | | | 4x15.0 | 51.0 | 70.0 | 95.0 |
| 3/4" (20) | 32.0 | 150.0 | 178.0 | DIN | 28.5 | 4x14.0 | 58.0 | 75.0 | 105.0 | | | | |
| | | | | ANSI | | | | | | 4x15.8 | 42.9 | 69.8 | 99.0 |
| | | | | JIS | | | | | | 4x15.0 | 56.0 | 75.0 | 100.0 |
| 1" (25) | 32.2 | 160.0 | 216.0 | DIN | 28.5 | 4x14.0 | 68.0 | 85.0 | 115.0 | | | | |
| | | | | ANSI | | | | | | 4x15.8 | 50.8 | 79.4 | 108.0 |
| | | | | JIS | | | | | | 4x19.0 | 67.0 | 90.0 | 125.0 |
| 1 1/4" (32) | 35.8 | 180.0 | 229.0 | DIN | 31.0 | 4x18.0 | 78.0 | 100.0 | 140.0 | | | | |
| | | | | ANSI | | | | | | 4x15.8 | 63.5 | 88.9 | 117.0 |
| | | | | JIS | | | | | | 4x19.0 | 76.0 | 135.0 | 135.0 |
| 1 1/2" (40) | 39.6 | 200.0 | 241.0 | DIN | 36.0 | 4x18.0 | 88.0 | 110.0 | 150.0 | | | | |
| | | | | ANSI | | | | | | 4x15.8 | 73.0 | 98.4 | 127.0 |
| | | | | JIS | | | | | | 4x19.0 | 81.0 | 105.0 | 140.0 |
| 2" (50) | 45.7 | 230.0 | 267.0 | DIN | 41.0 | 4x18.0 | 102.0 | 125.0 | 165.0 | | | | |
| | | | | ANSI | | | | | | 4x19.0 | 92.1 | 120.6 | 152.0 |
| | | | | JIS | | | | | | 4x19.0 | 96.0 | 120.0 | 155.0 |

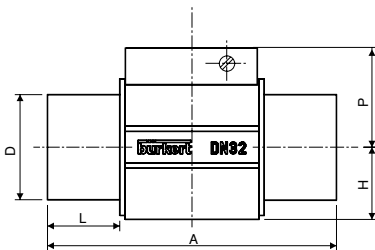
True union nut
with solvent or fusion spigot
PVC, PP, PVDF



| Orifice ADN [mm] | P | D1 | A | | | D | | | A2 | A1 |
|---------------------|------|-----|-----|-------|-----|-------|--------|-------|-----|-----|
| | | | DIN | ANSI | JIS | [DIN] | [ANSI] | [JIS] | | |
| 1/4" (08)* | 29.5 | | 122 | - | - | 12 | - | - | 90 | 92 |
| 1/2" (15) | 34.5 | 43 | 128 | 130.0 | 129 | 20 | 21.3 | 18.40 | 90 | 96 |
| 3/4" (20) | 32.0 | 53 | 144 | 146.5 | 145 | 25 | 26.7 | 26.45 | 100 | 106 |
| 1" (25) | 32.2 | 60 | 160 | 161.4 | 161 | 32 | 33.4 | 32.55 | 110 | 116 |
| 1/4" (32) | 35.8 | 74 | 168 | 170.0 | 169 | 40 | 42.2 | 38.60 | 110 | 116 |
| 1 1/2" (40) | 39.6 | 83 | 188 | 190.2 | 190 | 50 | 48.3 | 48.70 | 120 | 127 |
| 2" (50) | 45.7 | 103 | 212 | 213.6 | 213 | 63 | 60.3 | 60.80 | 130 | 136 |

Solvent or fusion spigot

PVC, PP, PVDF



| Orifice DN [mm] | D [mm] | H [mm] | A | | L | | P [mm] |
|-----------------------|-----------|-----------|-------------|--------------------|-------------|--------------------|-----------|
| | | | PVC [mm] | PP PVDF [mm] | PVC [mm] | PP PVDF [mm] | |
| 15 | 20 | 17.5 | 90 | 85 | 16.5 | 14 | 34.5 |
| 20 | 25 | 17.5 | 100 | 92 | 20.0 | 16 | 32.0 |
| 25 | 32 | 21.5 | 110 | 95 | 23.0 | 18 | 32.2 |
| 32 | 40 | 27.5 | 110 | 100 | 27.5 | 20 | 35.8 |
| 40 | 50 | 31.5 | 120 | 106 | 30.0 | 23 | 39.6 |
| 50 | 63 | 39.5 | 130 | 110 | 37.0 | 27 | 45.7 |

DTS 1000082466 EN Version: B Status: RL (released | freigegeben | validé) printed: 10.01.2018

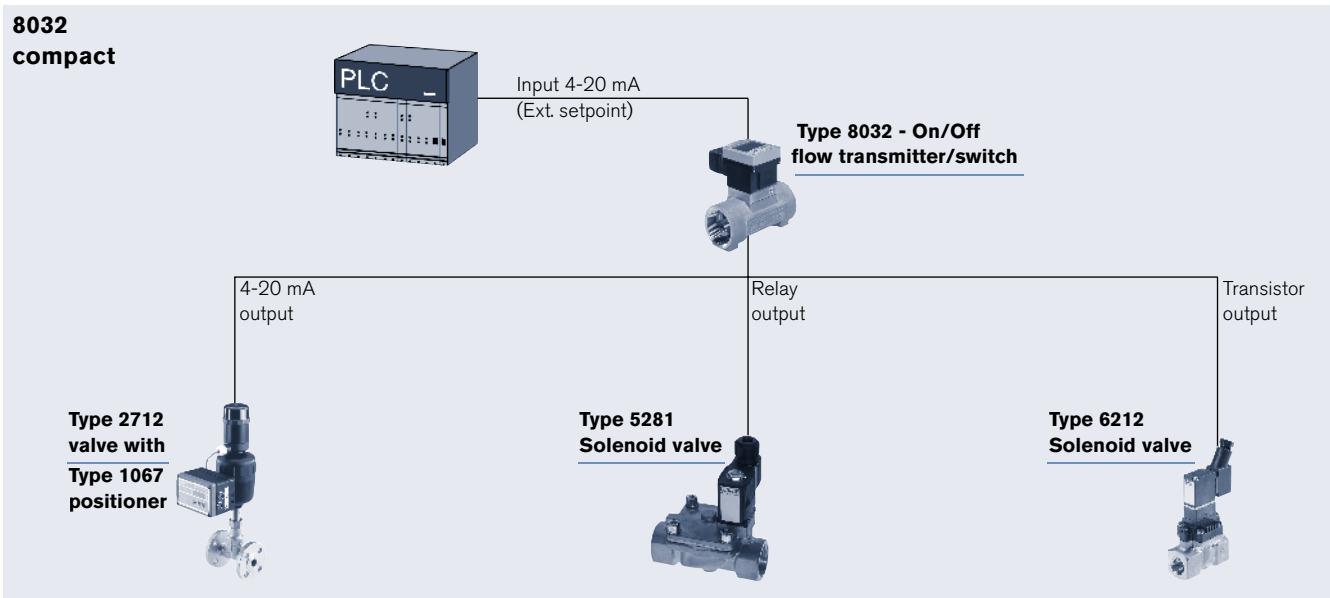
Ordering chart for fitting S030

| Port connection | Specification | | Item no. / Orifice | | | | | | | | | | |
|---|---------------|------------------------|-----------------------|-----------------------|------------------------|--------------|-----------------------|----------------|----------------|------------|----------------|---------|-----|
| | Seal | Standards | 1/4" (DN6) | 5/16" (DN 8) | 1/2" (DN 15) | 3/4" (DN 20) | 1" (DN 25) | 1 1/4" (DN 32) | 1 1/2" (DN 40) | 2" (DN 50) | 2 1/2" (DN 65) | | |
| Brass - with PVDF paddle-wheel - Temperature max. 212°F, 230 PSI (PN16) | | | | | | | | | | | | | |
| Internal thread | FKM | NPT | --- | --- | --- | 423 986 | 423 987 | 423 988 | 423 989 | 423 990 | 423 991 | --- | |
| | | G | --- | --- | --- | 423 980 | 423 981 | 423 982 | 424 983 | 424 984 | 424 985 | --- | |
| | | Rc (ISO7) | --- | --- | --- | 423 992 | 423 993 | 423 994 | 424 995 | 424 996 | 424 997 | --- | |
| External thread | FKM | NPT | --- | --- | 449 182 | --- | --- | --- | --- | --- | --- | --- | |
| | | G | 552 557 ¹⁾ | 552 527 ²⁾ | 444 023 | 423 998 | 423 999 | 424 000 | 424 001 | 424 002 | 424 003 | --- | |
| | | Rc (ISO7) | --- | --- | 448 668 | --- | --- | --- | --- | --- | --- | --- | |
| Metric | FKM | | --- | --- | 16 x 1.5 mm 552 526 | --- | --- | --- | --- | --- | --- | | |
| Stainless steel - with PVDF paddle-wheel - Temperature max. 212°F, 230 PSI (PN16) | | | | | | | | | | | | | |
| Internal thread | FKM | NPT | --- | --- | --- | 424 010 | 424 011 | 424 012 | 424 013 | 424 014 | 424 015 | --- | |
| | | G | --- | --- | --- | 424 004 | 424 005 | 424 006 | 424 007 | 424 008 | 424 009 | --- | |
| | | Rc (ISO7) | --- | --- | --- | 424 016 | 424 017 | 424 018 | 424 019 | 424 020 | 424 021 | --- | |
| External thread | FKM | NPT | --- | --- | 449 050 | --- | --- | --- | --- | --- | --- | --- | |
| | | G | 552 733 ¹⁾ | 552 559 ²⁾ | 444 029 | 424 022 | 424 023 | 424 024 | 424 025 | 424 026 | 424 027 | --- | |
| | | Rc (ISO7) | --- | --- | 448 669 | --- | --- | --- | --- | --- | --- | --- | |
| Weld ends | FKM | ISO 4200 | --- | --- | 552 845 ³⁾ | 424 028 | 424 029 | 424 030 | 424 031 | 424 032 | 424 033 | --- | |
| | | EPDM | BS4825 / ASME BPE | --- | --- | --- | 443 369 ⁴⁾ | 443 370 | 443 371 | 443 372 | 443 373 | 443 374 | |
| | | EPDM | SMS 3008 | --- | --- | --- | --- | 443 298 | --- | 443 299 | 443 300 | 443 301 | |
| | | EPDM | DIN 11850 Rg2 | --- | --- | 551 788 | 551 789 | 551 790 | 551 791 | --- | 551 792 | 551 793 | --- |
| Tri-Clamp® | FKM | ISO (for pipe ISO4200) | --- | --- | --- | 424 034 | 424 035 | 424 036 | 424 037 | 424 038 | 424 039 | --- | |
| | | EPDM | BS4825/ASME BPE | --- | --- | --- | 443 395 | 443 396 | --- | 443 397 | 443 398 | 443 399 | |
| | | EPDM | SMS3017/ISO2852 | --- | --- | --- | --- | 443 302 | --- | 443 303 | 443 304 | 443 305 | |
| | | EPDM | BS4825/ASME BPE* | --- | --- | --- | 443 400 | 443 717 | --- | 443 718 | 443 719 | 443 720 | |
| | | EPDM | SMS3017/ISO2852* | --- | --- | --- | --- | 443 387 | --- | 443 388 | 443 389 | 443 390 | |
| | | EPDM | DIN 32676 | --- | --- | 551 794 | 551 795 | 551 796 | 551 797 | --- | 551 798 | 551 799 | --- |
| Flange | FKM | ANSI B16-5-1988 | --- | --- | --- | 424 046 | 424 047 | 424 048 | 424 049 | 424 050 | 424 051 | --- | |
| | | FKM | DIN 2633 | --- | --- | --- | 424 040 | 424 041 | 424 042 | 424 043 | 424 044 | 424 045 | --- |
| | | FKM | JIS 10K | --- | --- | --- | 430 108 | 430 109 | 430 110 | 430 111 | 430 112 | 430 113 | --- |
| Stainless steel - with PVDF paddle-wheel - Temperature max. 212°F, 580 PSI (PN40) | | | | | | | | | | | | | |
| External thread | FKM | G | --- | --- | --- | 427 138 | 425 737 | 425 729 | 427 152 | 427 153 | 427 154 | --- | |
| * internal surface finish Ra = 0.8 µm | | | | | | | | | | | | | |
| port connection | Specification | | Item no. / Orifice | | | | | | | | | | |
| | Seal | Standards | 1/4" (DN 6) | 5/16" (DN 8) | 1/2" (DN 15) | 3/4" (DN 20) | 1" (DN 25) | 1 1/4" (DN 32) | 1 1/2" (DN 40) | 2" (DN 50) | 2 1/2" (DN 65) | | |
| PVC - with PVDF paddle-wheel - Temperature max. 122°F, 140 PSI (PN10) | | | | | | | | | | | | | |
| True union - solvent spigot | FKM | North America version | --- | --- | 423 950 | 423 951 | 423 952 | 423 953 | 423 954 | 423 955 | --- | | |
| | | FKM | ISO | --- | 444 022 | 423 938 | 423 939 | 423 940 | 423 941 | 423 942 | 423 943 | --- | |
| | | FKM | Standard JIS | --- | --- | 429 072 | 429 073 | 429 074 | 429 075 | 429 076 | 429 077 | --- | |
| Solvent ends | FKM | ISO | --- | --- | 423 944 | 423 945 | 423 946 | 423 947 | 423 948 | 423 949 | --- | | |
| External thread | FKM | G | 552 560 ²⁾ | 444 025 ²⁾ | --- | --- | --- | --- | --- | --- | --- | | |
| True union without spigot | FKM | | --- | --- | 430 734 | 430 735 | 430 736 | 430 737 | 430 738 | 430 739 | --- | | |
| | | EPDM | --- | --- | 430 740 | 430 741 | 430 742 | 430 743 | 430 744 | 430 745 | --- | | |
| PP (metric pipe only)- with PVDF paddle-wheel - Temperature max. 176°F, 140 PSI (PN10) | | | | | | | | | | | | | |
| True union - solvent spigot | FKM | ISO | --- | --- | 423 956 | 423 957 | 423 958 | 423 959 | 423 960 | 423 961 | --- | | |
| Solvent ends | FKM | ISO | --- | --- | 423 962 | 423 963 | 423 964 | 423 965 | 423 966 | 423 967 | --- | | |
| PVDF (metric pipe only)- with PVDF paddle-wheel - Temperature max. 212°F, 140 PSI (PN10) | | | | | | | | | | | | | |
| True union - solvent spigot | FKM | ISO | --- | --- | 423 968 | 423 969 | 423 970 | 423 971 | 423 972 | 423 973 | --- | | |
| Solvent ends | FKM | ISO | --- | --- | 423 974 | 423 975 | 423 976 | 423 977 | 423 978 | 423 979 | --- | | |
| External thread | FKM | G | --- | 444 028 ²⁾ | --- | --- | --- | --- | --- | --- | --- | | |

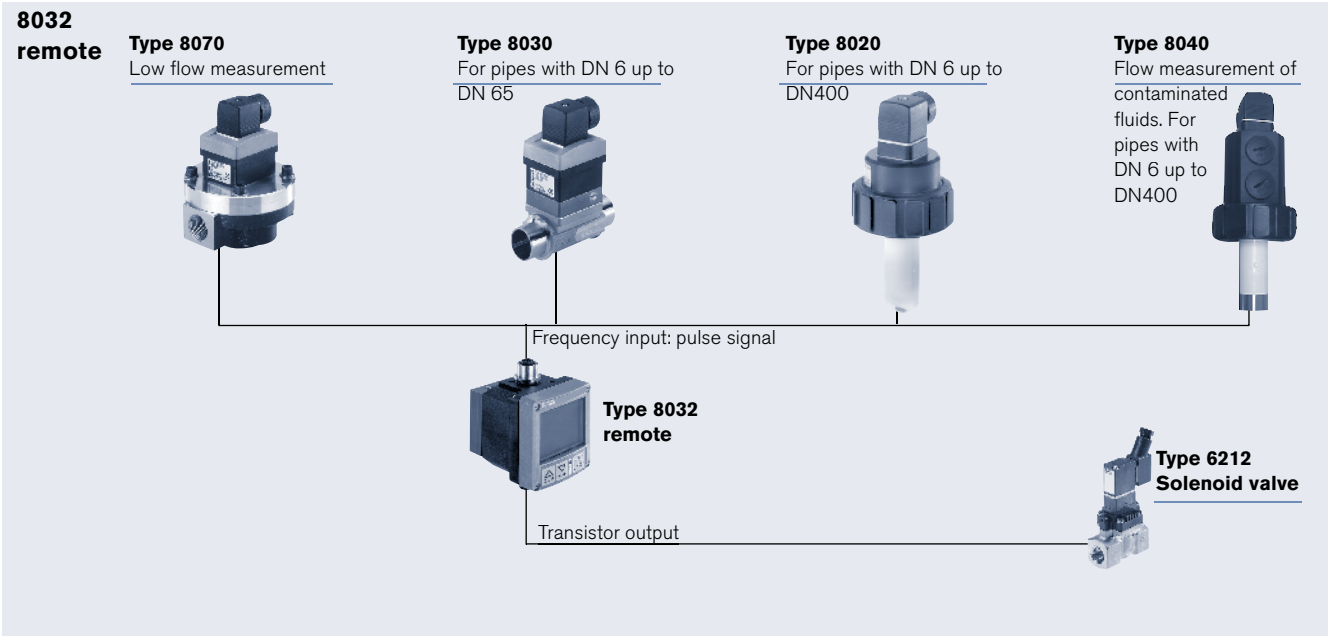
1) external thread 1/4" 2) external thread 1/2" 3) EPDM Seal 4) DN20 only available in ASME BPE

Interconnection possibilities with the 8032

8032 compact



8032 remote



DTS 1000082466 EN Version: B Status: RL (released | freigegeben | validé) printed: 10.01.2018

