



## 2/2 or 3/2 way Whisper Valve with media separation

- Fast switching at low noise level <45dB(A)
- High pressure range up to 16bar (290psi) with orifice DN 1.4mm
- Highest chemical resistance
- Compact design with 18mm width
- High backpressure tightness

Product variants described in the data sheet may differ from the product presentation and description.

### Can be combined with



**Type 2505** ▶  
10 mm socket for Bürkert small solenoid valves

### Type description

In various medical and IVD related applications the combination of high throughput and small valve size becomes more important. Combined with the highest chemical resistance type 6757 follows this customer need. But this valve also is able to switch high pressure rates up to 16bar [232psi] which are relevant for environmental analysis devices. The mentioned devices, including the valves, need to be flushed, cleaned, disinfected or even sterilized. The valves therefore need to withstand high temperatures and/ or high pressure and this is what it was designed for. The product perfectly fits in applications like endoscope cleaning and dialysis, or environmental analyser. Fast switching times, as realized here guarantee high process safety because reliable switching characteristics are an important aspect for accurate dosing and reproducible processes.

## Table of contents

<b>1. General technical data</b>	<b>3</b>
1.1. General data .....	3
1.2. Flow characteristics .....	4
<b>2. Circuit functions</b>	<b>4</b>
<b>3. Materials</b>	<b>5</b>
3.1. Chemical Resistance Chart – Bürkert resistApp.....	5
3.2. Material specifications .....	5
<b>4. Dimensions</b>	<b>6</b>
4.1. Flange version.....	6
4.2. Width per station .....	7
4.3. Flange pattern.....	7
<b>5. Ordering information</b>	<b>8</b>
5.1. Bürkert eShop – Easy ordering and quick delivery.....	8
5.2. Bürkert product filter.....	8
5.3. Ordering chart.....	8
5.4. Ordering chart accessories.....	9
Rectangular cable plug Type 2505 .....	9

## 1. General technical data

### 1.1. General data

Product properties	
Dimensions	Detailed information can be found in chapter "4. Dimensions" on page 6.
Material	
Seal	FFKM, (EPDM and FKM on request)
Fluid housing	PEEK, (PPS on request)
Orifice and pressure range <sup>1.)</sup>	
DN 1.4	
Circuit function A	Vacuum up to 16 bar
Circuit function T	Vacuum up to 10 bar
DN 4	
Circuit function A	Vacuum up to 3 bar
Circuit function T	Vacuum up to 1.5 bar
Internal volume	Fluid chamber 467 µl / Total (incl. connections) 1255 µl
Typical product service life	10 million switching cycles (according to laboratory endurance test <sup>2.)</sup>
Performance data	
Switching noise	45 dB (A) <sup>3.)</sup>
Switching time	Opening: ca. 7 ms (Pressure build-up 0...10%) Closing: ca. 7 ms (Pressure reduction 100...90%) (Measurement at the valve outlet at 20 °C acc. to DIN ISO 12238:2001)
Electrical data	
Operating voltage	24 V DC (12 V on request)
Duty cycle <sup>4.)</sup>	
Single assembly	100 % continuous operation
Block assembly	70 % continuous operation (max. 10 min. duty cycle) Detailed information can be found in the operating instructions <b>Type 6757</b> ▶.
Nominal power	4.5 W <sup>5.)</sup>
Voltage tolerance	± 5 % (incl. residual ripple)
Medium data	
Medium temperature	FFKM: + 15...+ 50 °C FKM: 0...+ 50 °C EPDM: 0...+ 50 °C 90 °C permissible for rinsing cycles (max. 30 minutes) <sup>4.) 6.)</sup>
Viscosity	Maximum 21 mm <sup>2</sup> /s
Process/Port connection & communication	
Electrical connection	Rectangular plug Type 2505 Detailed information can be found in the data sheet <b>Type 2505</b> ▶.
Port connection	Flange (other port connections on request)
Approvals and certificates	
Degree of protection	IP30 acc. to EN 60529
Suitable for food industry	FDA – on request
Suitable for drinking water	KTW (W270) – on request
Environment and installation	
Installation position	Any, preferably actuator upwards
Ambient temperature	FFKM: + 15...+ 50 °C FKM: 0...+ 50 °C EPDM: 0...+ 50 °C

1.) Orifices 2 and 3 mm will be available soon.

2.) The service life depends on the medium, temperature, pressure, sealing material and individual operating conditions.

3.) Measured in sound measurement chamber according to ISO3745 accuracy class 1. The value may differ under other conditions.

4.) Max. housing temperature must not exceed 110 °C. In continuous operation care must be taken to ensure sufficient heat dissipation (convection) at the metal surface of the valve. Overheating of the valve can lead to damage.

5.) No further power reduction possible.

6.) The valve must not be clogged during the purging cycles.

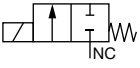
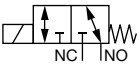
## 1.2. Flow characteristics

Circuit function	DN	K <sub>v</sub> value water				
		NC -> Out	NC -> COM	NO -> COM	COM -> NC	COM -> NO
		[m³/h]	[m³/h]	[m³/h]	[m³/h]	[m³/h]
A	1.4	0.055	–	–	–	–
	4	0.37	–	–	–	–
T	1.4	–	0.055	0.055	0.06	0.06
	4	–	0.36	0.36	0.425	0.425

Circuit function	DN	C <sub>v</sub> value water				
		NC -> Out	NC -> COM	NO -> COM	COM -> NC	COM -> NO
		[gpm]	[gpm]	[gpm]	[gpm]	[gpm]
A	1.4	0.064	–	–	–	–
	4	0.428	–	–	–	–
T	1.4	–	0.064	0.064	0.069	0.069
	4	–	0.416	0.416	0.491	0.491

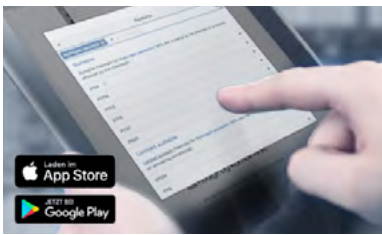
Circuit function	DN	Q <sub>Nn</sub> value air				
		NC -> Out	NC -> COM	NO -> COM	COM -> NC	COM -> NO
		[l/min]	[l/min]	[l/min]	[l/min]	[l/min]
A	1.4	60	–	–	–	–
	4	400	–	–	–	–
T	1.4	–	60	60	65	65
	4	–	390	390	440	440

## 2. Circuit functions

Circuit functions	Description
	<b>Type: A, solenoid valve</b> 2/2 way Direct-acting Normally closed
	<b>Type: T, solenoid valve</b> 3/2 way Direct-acting Flow direction optional Universal

### 3. Materials

#### 3.1. Chemical Resistance Chart – Bürkert resistApp

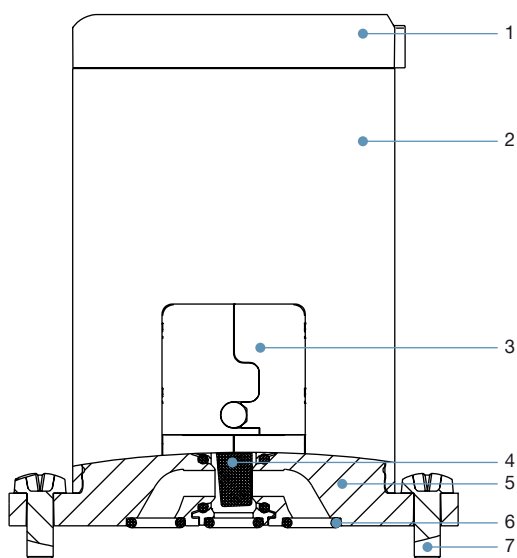


**Bürkert resistApp – Chemical Resistance Chart**

You want to ensure the reliability and durability of the materials in your individual application case? Verify your combination of media and materials on our website or in our resistApp.

[Start Chemical Resistance Check](#)

#### 3.2. Material specifications



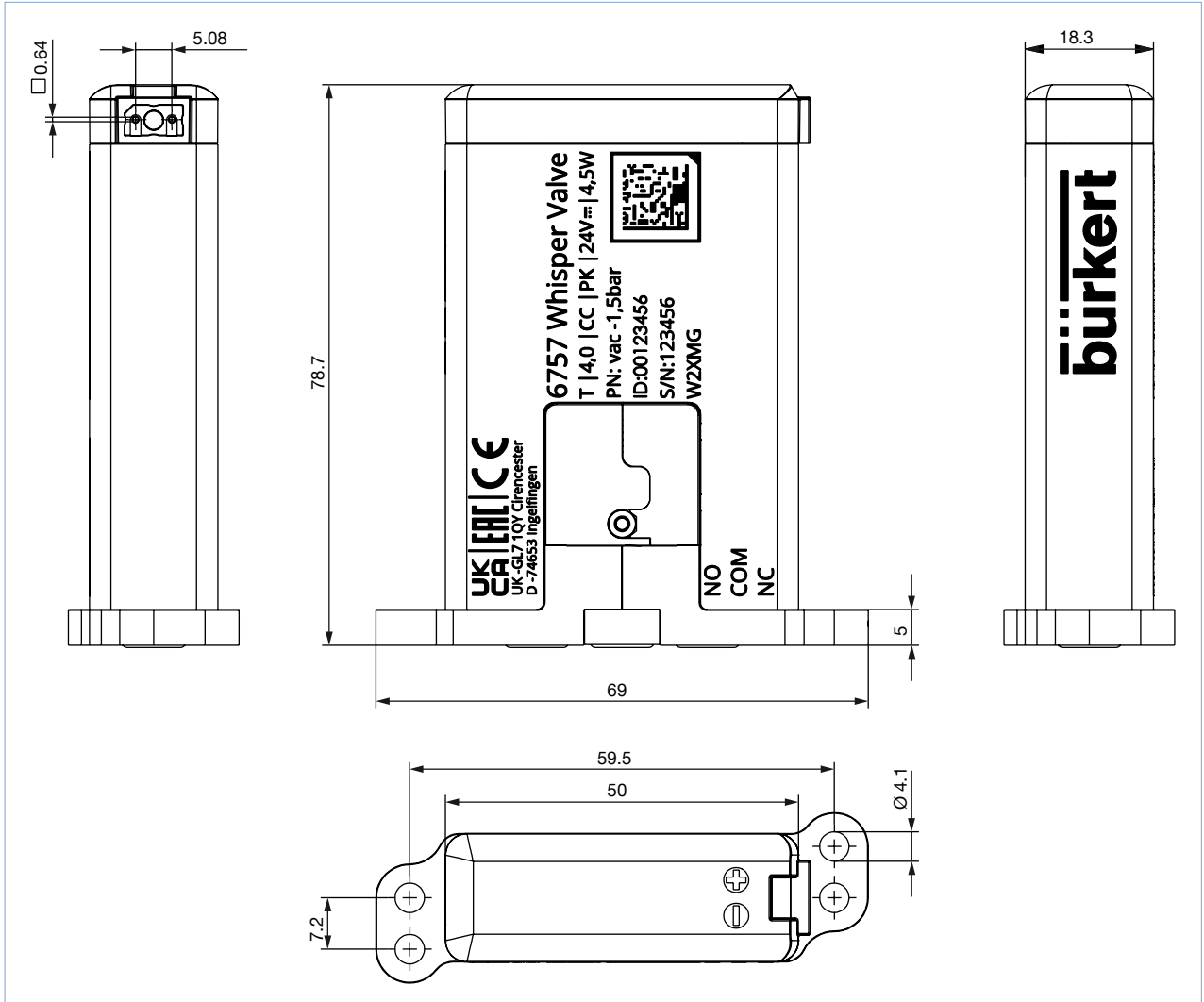
No.	Element	Material
1	Cover	PA
2	Coil housing	Nickel-plated
3	Valve housing	PPS
4	Diaphragm	FFKM (FKM and EPDM on request)
5	Fluid housing	PEEK (PPS on request)
6	Flange seal	FFKM (FKM and EPDM on request)
7	Oval head screw	Stainless steel

## 4. Dimensions

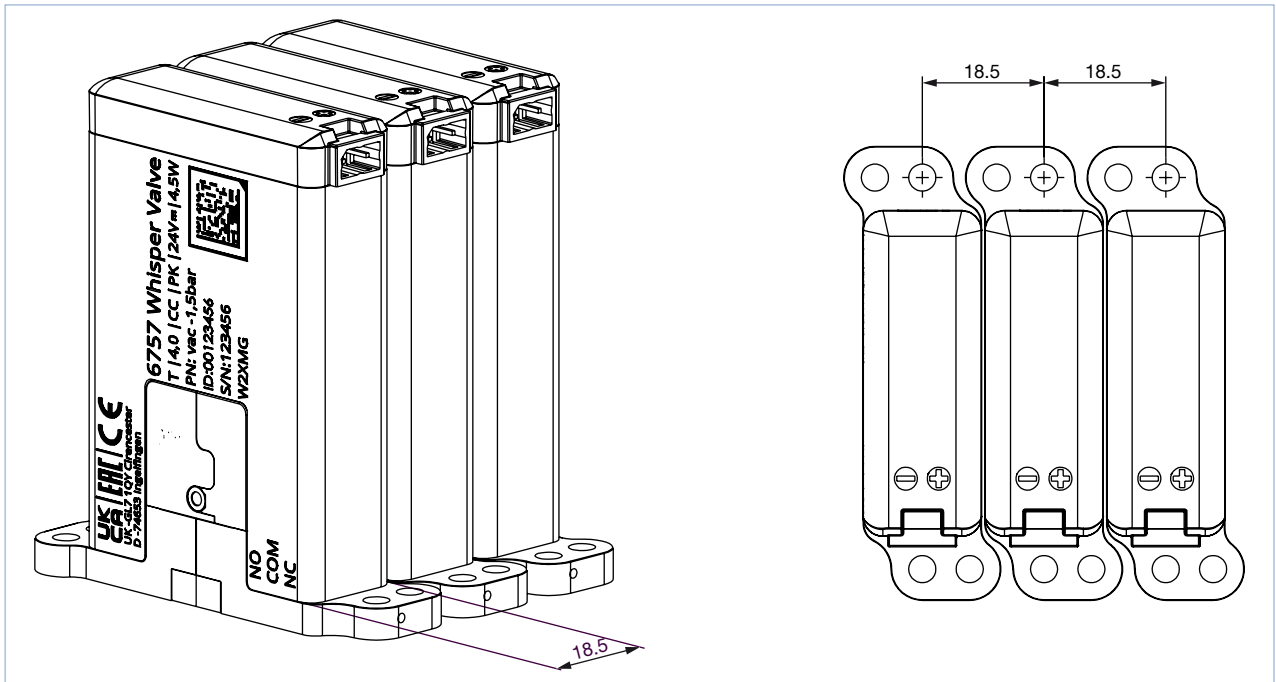
### 4.1. Flange version

**Note:**

Dimensions in mm



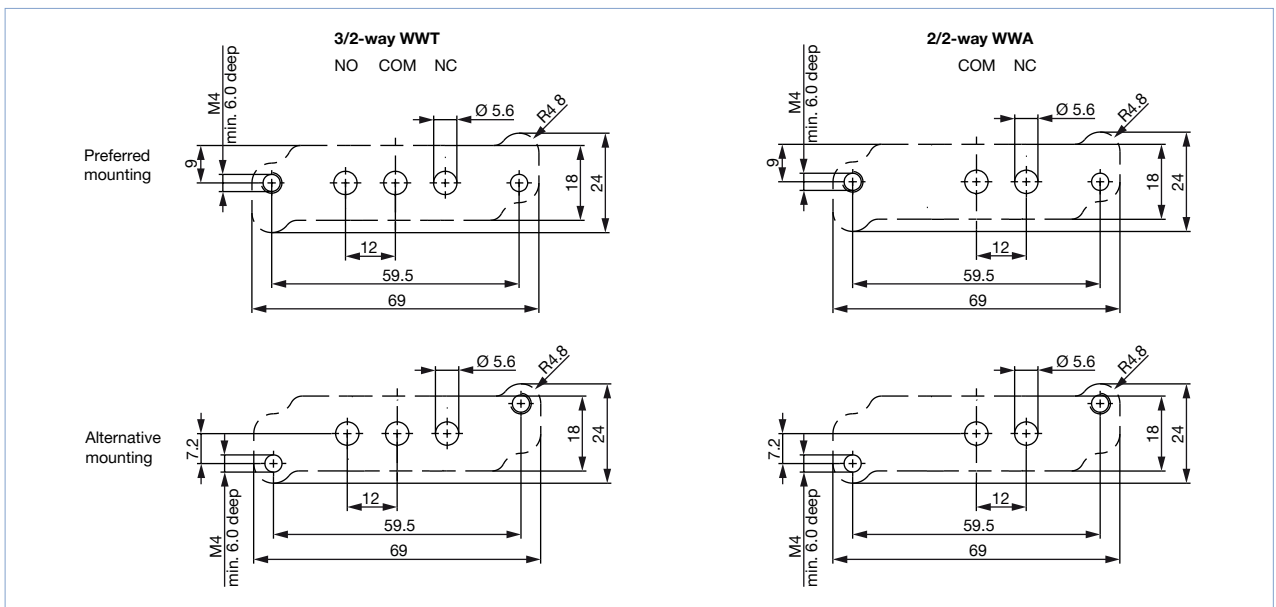
Dimensions in mm



#### 4.2. Flange pattern

Note:

Dimensions in mm



## 5. Ordering information

### 5.1. Bürkert eShop – Easy ordering and quick delivery



#### Bürkert eShop – Easy ordering and fast delivery

You want to find your desired Bürkert product or spare part quickly and order directly? Our online shop is available for you 24/7. Sign up and enjoy all the benefits.

[Order online now](#)

### 5.2. Bürkert product filter



#### Bürkert product filter – Get quickly to the right product

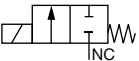
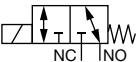
You want to select products comfortably based on your technical requirements? Use the Bürkert product filter and find suitable articles for your application quickly and easily.

[Try out our product filter](#)

### 5.3. Ordering chart

#### Note:

- Further versions on request
- 2x M4 x 10 fixing screws for sub-base versions are included in the delivery.
- Connectors for rectangular plug are not included in the delivery and must be ordered separately, see [“5.4. Ordering chart accessories” on page 9](#).

Circuit function	DN	Port connection	K <sub>v</sub> value	Q <sub>Nn</sub> value	Pressure range	Max. differential pressure	Seal material	Body material	Voltage/ Frequency	Article no.
	[mm]		[m <sup>3</sup> /h] <sup>1.)</sup>	[l/min]	[bar] <sup>2.) 3.)</sup>	[bar]			[V/Hz]	
<b>Type: A, solenoid valve</b> 2/2 way Direct-acting Normally open 	1.4	Flange	0.055	60	Vac...16	16	FFKM	PEEK	024/DC	324226
	4	Flange	0.37	400	Vac...3	3	FFKM	PEEK	024/DC	324233
<b>Type: T, solenoid valve</b> 3/2 way Direct-acting Flow direction optional Universal 	1.4	Flange	0.055	60	Vac...10	10	FFKM	PEEK	024/DC	324232
	4	Flange	0.36	390	Vac...1.5	1.5	FFKM	PEEK	024/DC	324235

1.) Measurement at +20 °C, 1 bar pressure at the valve inlet and free outlet.

2.) Overpressure to atmospheric pressure

3.) The water hammer with incompressible media must not exceed the max. permissible differential pressure.









#### 5.4. Ordering chart accessories

##### Rectangular cable plug Type 2505

**Note:**

For further rectangular cable plug versions see separate data sheet **Type 2505** ▶.

Accessories	Description	Article no.
	Rectangular cable plug Type 2505 with 3 m cable	252572 
	Rectangular cable plug Type 2505 with 5 m cable	255194 
	Rectangular cable plug Type 2505 with 300 mm flying leads	644068 
	Rectangular cable plug Type 2505 with 600 mm flying leads	162144 



# Bürkert – Close to You

For up-to-date addresses  
please visit us at  
[www.burkert.com](http://www.burkert.com)

DTS 1000551791 EN Version: - Status: RL (released | freigegeben | validé) printed: 05.10.2022

Austria  
Belgium  
Czech Republic  
Denmark  
Finland  
France  
Germany  
Italy  
Netherlands

Norway  
Poland  
Spain  
Sweden  
Switzerland  
Turkey  
United Kingdom

Russia

Canada  
USA

Brazil  
Uruguay

South Africa

United  
Arab  
Emirates

Australia  
New Zealand

China  
Hong Kong  
India  
Japan  
Korea  
Malaysia  
Philippines  
Singapore  
Taiwan