

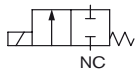
## 2/2- and 3/2 way Rocker Solenoid Valve

- 22 mm ultra compact design with orifices up to DN3.0
- Isolating diaphragm for high chemical resistance
- Circuit function NC, NO and 3-way universal
- Back pressure tightness via rocker principle
- Minimal internal volume with excellent cleanability

Direct acting medium separated 2/2- and 3/2 way Rocker Solenoid Valve for control of aggressive fluids and gases in analytical medical applications, the food industry, and also the chemical industry for dosing, filling, mixing and distribution.

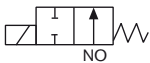
The medium is in contact with fluid housing and seal material solely through the isolating diaphragm. This valve with the new TwinPower-actuator, robust screw-in connection and 22 mm installation width, will fulfil the highest requirements. The established rocker solenoid technology is characterized through full back pressure tightness, good rinsing capability and low internal volume. Type 6628 is available in different technical versions and by virtue of several body options, it offers a perfect adaptation in fluid applications.

### Circuit function A



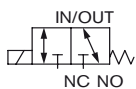
2/2 way valve,  
direct acting,  
normally closed

### Circuit function B



2/2 way valve,  
direct acting,  
normally open

### Circuit function T

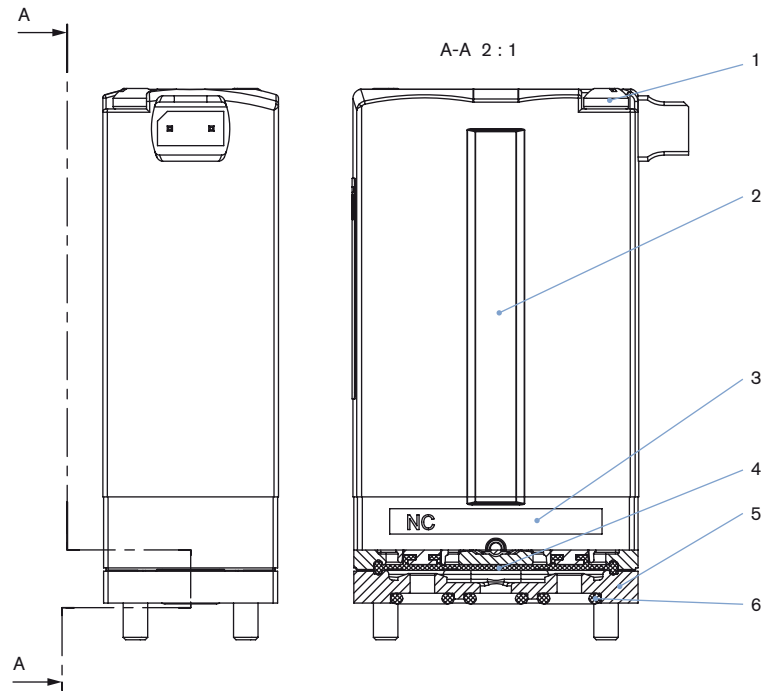


3/2 way valve,  
direct acting,  
universal function

Other circuit functions on request.

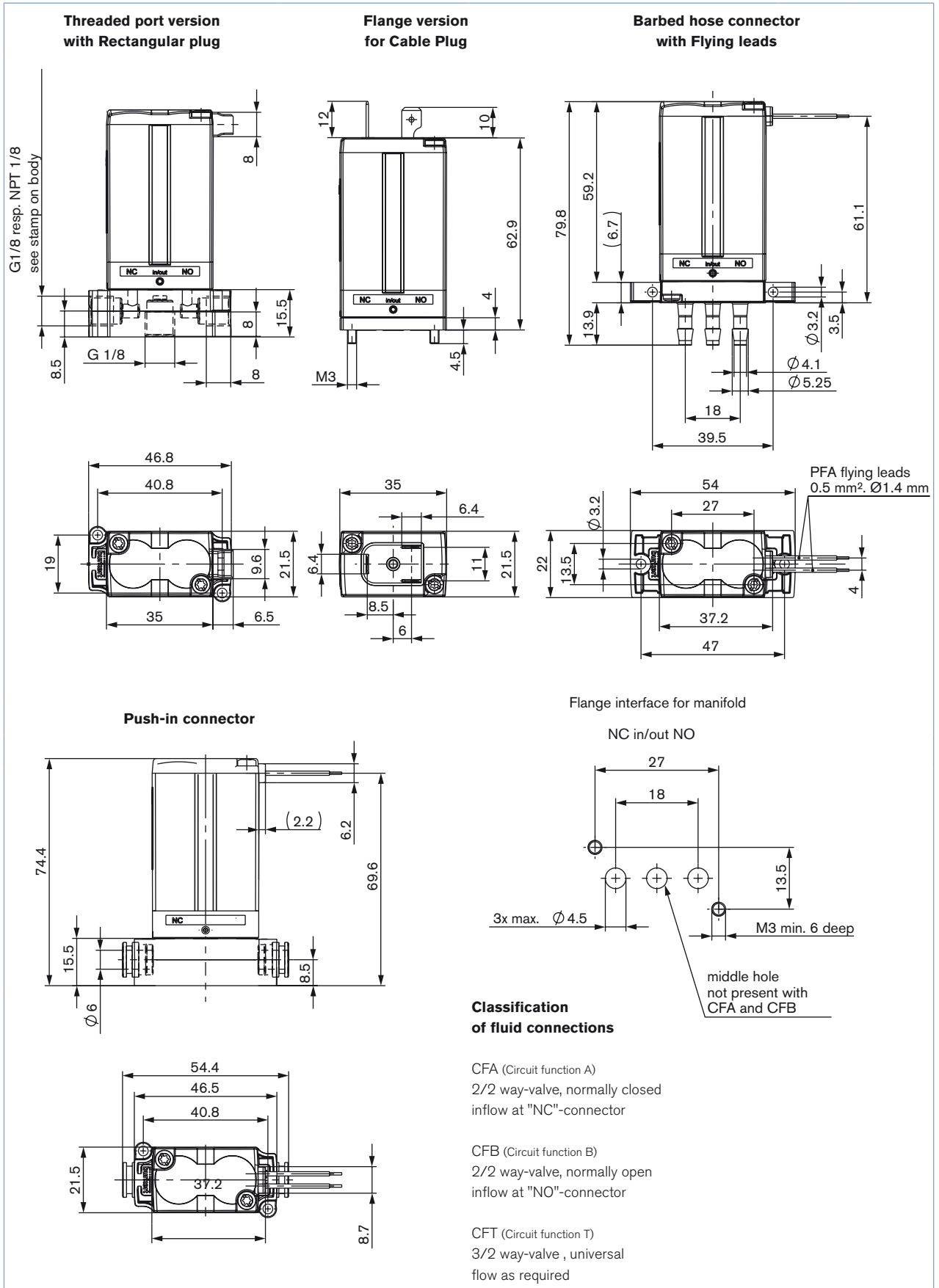
Technical Data	
<b>Orifice</b>	DN2.0 or 3.0 mm
<b>Body material</b>	PEEK, PPS or PVDF (PP on request)
<b>Seal material</b>	FFKM, FKM or EPDM
<b>Medium</b>	Resistant to neutral and aggressive gases and liquids acc. to our chemical resistance chart
<b>Medium temperature</b>	
FKM	0 to +55 °C
FFKM	+10 to +55 °C
EPDM	-10 to +55 °C
<b>Ambient temperature</b>	
FKM	0 to +55 °C
FFKM	+10 to +55 °C
EPDM	-10 to +55 °C
<b>Internal volume</b>	approx. 200 µl
<b>Viscosity</b>	max. approx. 21 mm <sup>2</sup> /s
<b>Port connection</b>	<ul style="list-style-type: none"> <li>▪ Bürkert-Flange (22 x 35 mm)</li> <li>▪ G 1/8</li> <li>▪ NPT 1/8</li> <li>▪ Barbed hose connector 4 mm (5/32")</li> <li>▪ Push-in connector (tube's external diameter 6 mm)</li> </ul>
<b>Electrical connection</b>	<ul style="list-style-type: none"> <li>▪ PFA single flying leads, 0.5 mm<sup>2</sup>, 500 mm</li> <li>▪ Rectangular plug for cable plug Type 2505</li> <li>▪ Industry plug acc. to DIN 43650 Form B for cable plug Type 2507 on request</li> <li>▪ circular connector M8 on request</li> </ul>
<b>Power supply</b>	12 V DC, 24 V DC Other voltages on request
<b>Voltage tolerance</b>	± 10%
<b>Power consumption</b>	5 W
<b>Duty cycle</b>	100% continuous operation
<b>Installation</b>	As required, preferably with actuator upright
<b>Protection class</b>	IP54 (IP30 with rectangular plug Type 2505)
<b>Response times</b>	Measurement at valve output with 2 bar and 20 °C acc. to DIN ISO 12238:2001
opening	25 ms (pressure build-up 0-10%)
closing	25 ms (pressure build-up 100-90%)
<b>Manual override</b>	on request

## Materials



	Description	Material
1	Fixing screw (from end to end)	Stainless steel
2	Coil	Epoxy
3	Valve body	PPS
4	Diaphragm (Medium contact)	FFKM, FKM or EPDM
5	Fluid housing (Medium contact)	PEEK, PPS or PVDF (PP on request)
6	Flange seal (Medium contact)	FFKM, FKM or EPDM

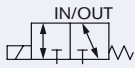
Dimensions [mm]





- $K_v$  value water [m<sup>3</sup>/h] max. flow rate for water measured at +20 °C, 1 bar pressure to atmosphere
- Rectangular plug types delivered without plug (see ordering chart for accessories)


### Ordering chart, continued


Circuit function	Orifice [mm]	Port connection	$K_v$ value water [m <sup>3</sup> /h]	$Q_{v0}$ value air [l/min]	Pressure range [bar]	Max. pressure difference [bar]	Seal material	Body material	Electrical connection	Voltage/Frequency [V/Hz]	Article no.	
<b>T</b>  3/2 way valve, direct acting, universal function	2	Bürkert-Flange	0.1	110	Vac-5	5	EPDM	PPS	Rectangular plug	24/DC	250859	
									Flying leads, 500 mm	12/DC	241889	
	3		Hose connector	0.17	180	Vac-2		2	PEEK	Rectangular plug	24/DC	251616
										Flying leads, 500 mm		245256
	3		G 1/8	0.17	180	Vac-2		2	PEEK	Plug top	24/DC	251645
										Flying leads, 500 mm		251617
	3	G 1/8	0.17	180	Vac-2	2	PEEK	Plug top	24/DC	245205		
								Flying leads, 500 mm		251647		
	2	Bürkert-Flange	0.1	110	Vac-5	5	FKM	PPS	Rectangular plug	24/DC	251629	
									Flying leads, 500 mm	12/DC	251630	
	3		Hose connector	0.17	180	Vac-2		2	PPS	Rectangular plug	24/DC	251634
										Flying leads, 500 mm		251635
	3		G 1/8	0.17	180	Vac-2		2	PEEK	Plug top	24/DC	251684
										Flying leads, 500 mm		251637
	3	Push-in connection	0.17	180	Vac-2	2	PEEK	Plug top	24/DC	251638		
								Flying leads, 500 mm		251649		
	2	Bürkert-Flange	0.1	110	Vac-5	5	FFKM	PEEK	Rectangular plug	24/DC	235320	
									Flying leads, 500 mm	12/DC	234340	
	3		Hose connector	0.17	180	Vac-2		2	PVDF	Rectangular plug	24/DC	235321
										Flying leads, 500 mm		270079
3	G 1/8		0.17	180	Vac-2	2		PEEK	Rectangular plug	24/DC	235322	
									Flying leads, 500 mm		270080	
3	G 1/8	0.17	180	Vac-2	2	PEEK	Rectangular plug	24/DC	230305			
							Flying leads, 500 mm		270078			
3	G 1/8	0.17	180	Vac-2	2	PEEK	Rectangular plug	24/DC	235323			
							Flying leads, 500 mm		235325			








### Ordering chart for accessories

- $K_v$  value water [m<sup>3</sup>/h] max. flow rate for water measured at +20 °C, 1 bar pressure to atmosphere
- Rectangular plug types delivered without plug (see ordering chart for accessories)

#### Further versions on request

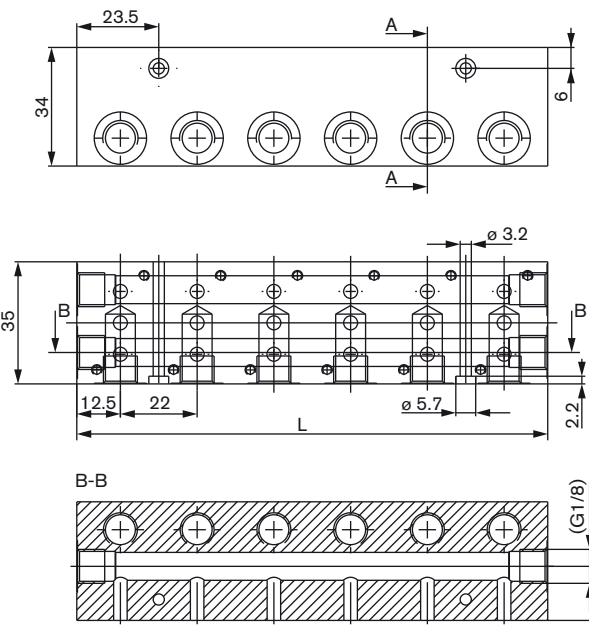
 **Electrical connection**  
 Cable plug connection acc. to Form B (Industrial standard)  
 Flying leads

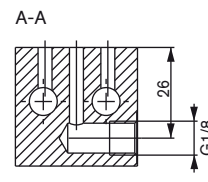
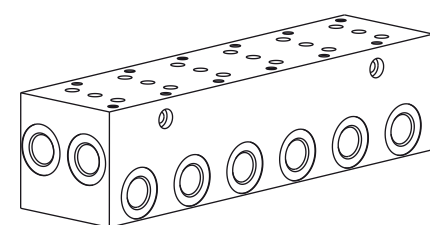
 **Material**  
 Other body and seal materials





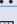
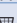
	Description	Article no.
	Rectangular cable plug Type 2505 with 3 m cable	133486 
	Rectangular cable plug Type 2505 with 300 mm flying leads	644068 
	Cable Plug Type 2507 according to Industrial standard Form B, without circuitry, 0... 250 V AC/DC	423845 
	Cable Plug Type 2507 according to Industrial standard Form B, with LED, 24 V AC/DC	423849 

**Dimensions [mm] and ordering chart for manifold**

**Multiple Manifolds with individual service port (G 1/8) and diverter function on 2 common channels (G 1/8); Delivery without valves; Material: anodized aluminium**



Manifold	L [mm]	Article no.
2-fold	47	669571 
3-fold	69	672633 
4-fold	91	669572 
5-fold	113	672661 
6-fold	135	669570 
10-fold	223	672660 

▪ Other versions on request.

## Application examples

Flying leads valve with plug-in coupling



Flying leads valve with threaded body



Rectangular plug with hose connector



Rectangular plug with manual override and flange



To find your nearest Bürkert facility, click on the orange box → [www.burkert.com](http://www.burkert.com)

In case of special application conditions,  
please consult for advice.

Subject to alterations  
© Christian Bürkert GmbH & Co. KG

1802/6\_EU-en\_00895161