



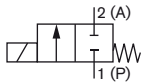
2/2 and 3/2 way Rocker Solenoid Valve for analytical applications

- 16 mm width
- Orifice DN2.0 - DN3.0
with pressure range vacuum to 5 bar
- Medium separation, for aggressive fluids
- High back-pressure tightness
- Direct acting

Type 6626 combines the reliable and successful Rocker principle with a highly innovative new actuator. The TwinPower concept of this actuator reduces the size greatly without loss in performance. Hence the 16 mm wide medium isolated rocker valve, 6626, with a 3.0 mm orifice and a pressure resistance of 2 bar, provides the same performance as a traditional 22 mm valve. In addition, the integrated power reduction decreases the energy consumption by 75%. In combination with other design features the heat transfer into the medium can be reduced to a minimum.

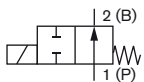
In the design of the 6626, the main benefits lie in its excellent cleanability and a high reliability. By using high performance materials the 6626 suits the handling of aggressive medium perfectly. The valve is available in a 2-way and 3-way version.

Circuit function A



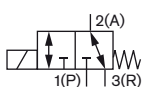
2/2 way direct-acting solenoid valve, normally closed

Circuit function B



2/2 way direct-acting solenoid valve, normally open

Circuit function T



3/2 way direct-acting solenoid valve, flow direction optional

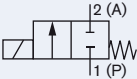
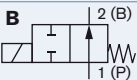
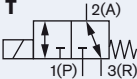
Technical Data	
Orifice	DN2.0 mm, DN3.0 mm
Body material	PEEK, PPS
Seal material	FFKM, FKM, EPDM
Medium	Resistant to neutral and aggressive gases and liquids acc. to our chemical resistance chart
Medium temperature	
FFKM	+ 15 °C to + 50 °C
FKM	- 10 °C to + 50 °C
EPDM DN2.0	- 10 °C to + 50 °C
EPDM DN3.0	+ 5 °C to + 50 °C
Ambient temperature	
FFKM	+ 15 °C to + 55 °C
FKM	- 10 °C to + 55 °C
EPDM DN2.0	- 10 °C to + 55 °C
FFKM DN3.0	+ 5 °C to + 55 °C
Internal volume	< 470 µl
Port connection	Sub-base, UNF, G 1/8, Tube
Electrical connection	Flying leads, Rectangular plug
Power supply	24 V ¹⁾ , 12 V ¹⁾
Voltage tolerance	24 V ± 10% ²⁾ 12 V + 10% / - 5% ²⁾
Nominal power consumption	13.6 W inrush power 3.4 W nominal holding power (internal power reduction)
Duty cycle	100% continuous rating
Installation	As required
Protection class	IP40
Switching frequency	max. 2 Hz ³⁾
Response times³⁾	
opening	ca. 10 ms (Pressure rise 0-10%)
closing	ca. 15 ms (Pressure drop 100-90%)

¹⁾ Battery voltage, observe polarity (red= +, black = -)

²⁾ Max. allowed ripple

³⁾ with ambient temperature of 20 °C

Ordering chart

Circuit function	Orifice [mm]	Port connection	K _v value water [m ³ /h] ¹⁾	Pressure range [bar] ²⁾	Max. pressure difference [bar]	Seal material	Body material	Electrical connection	Voltage/Frequency [V/Hz]	Article no.		
A  2/2 way direct-acting solenoid valve, normally closed	2.0	Sub-base	0.10	vac -3 (vac -5)	3 (5)	EPDM	PPS	Rectangular Plug ³⁾	12	247769		
										24	247771	
							vac -3 (vac -3)	3 (3)	FFKM	PEEK	12	247775
		UNF				vac -3 (vac -4)	3 (4)	FKM	PPS	Flying Leads	24	247786
						vac -3 (vac -3)	3 (3)	FFKM	PEEK			251709
						vac -3 (vac -4)	3 (4)	FKM		Rectangular Plug ³⁾		252770
	G 1/8			vac -3 (vac -3)	3 (3)	FFKM		Flying Leads	234278			
	3.0	Sub-base	0.19				EPDM	PPS	Rectangular Plug ³⁾	24	247797	
							FFKM	PEEK			238530	
									FKM	PPS	12	247816
		UNF			0.15	vac -2 (vac -2)	2 (2)	FFKM	PEEK	Flying Leads	24	247819
							FKM	251711				
										Rectangular Plug ³⁾		252771
Tube		0.19				EPDM	PEEK	24	252772			
						FFKM			247789			
						FKM			Flying Leads	228642		
							Rectangular Plug ³⁾	247810				
B  2/2 way direct-acting solenoid valve, normally open	2.0	Sub-base	0.10	vac -3 (vac -3)	3 (3)	FFKM	PEEK	Flying Leads	24	252773		
	3.0				vac -2 (vac -2)					2 (2)	Rectangular Plug ³⁾	245910
	T  3/2 way direct-acting solenoid valve, flow direction optional	2.0	Sub-base	0.10	vac -3 (vac -5)	3 (5)	EPDM	PPS	Rectangular Plug ³⁾	24	247826	
											Flying Leads	12
							vac -3 (vac -3)	3 (3)	FFKM	PEEK	24	247841
							vac -3 (vac -4)	3 (4)	FKM	PPS	Rectangular Plug ³⁾	12
UNF					vac -3 (vac -3)	3 (3)	FFKM	PEEK	Flying Leads	24	251713	
					vac -3 (vac -4)	3 (4)	FKM				Rectangular Plug ³⁾	252774
												252775
3.0	Sub-base	0.19				EPDM	PPS	Rectangular Plug ³⁾	12	247851		
											247853	
								FFKM	PEEK	Flying Leads	24	234371
								FKM	PPS	Rectangular Plug ³⁾	12	238531
	UNF			0.15	vac -2 (vac -2)	2 (2)	EPDM	PEEK	Rectangular Plug ³⁾	24	247877	
									FFKM		Flying Leads	252776
									FKM		251715	
											Rectangular Plug ³⁾	247872
G 1/8		0.19								247844		
										247859		
										247858		
										247869		
Tube		0.19				EPDM	PEEK	Rectangular Plug ³⁾	24	247844		
											247859	
											247858	
											247869	

¹⁾ Measured at +20 °C, 1 bar pressure at value inlet and free outlet.







²⁾ Measured as overpressure with respect to atmospheric pressure.

³⁾ Please order the rectangular plug separately. For selection possibilities see accessories.

Note: () Values in brackets are only for gas mediums.

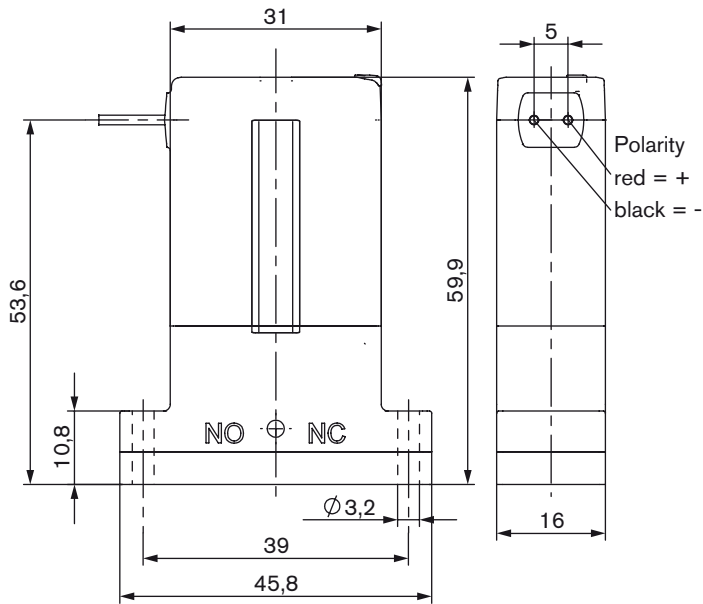
Ordering chart accessories

Rectangular plug Type 2505

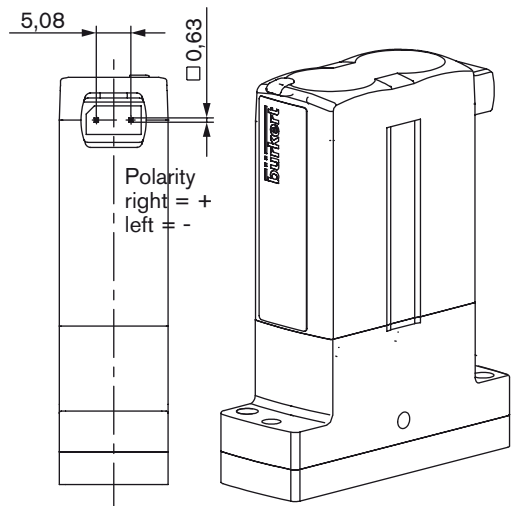
	Accessories	Article no.
	Rectangular plug with 3 m cable	133486 
	Rectangular plug with 300 mm flying leads	644068 
	Rectangular plug, single contact for individual mounting	644067 

Dimensions [mm]

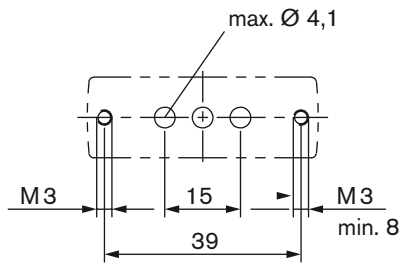
Electrical connections: flying leads



Electrical connections: rectangular plug

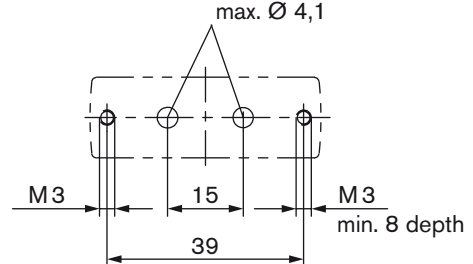


Sub-base body for 3/2 way connection

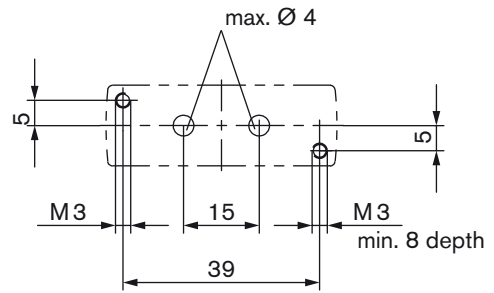
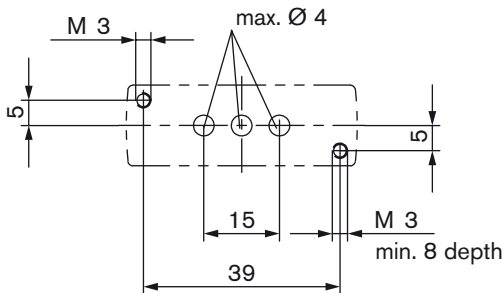


preferred threaded connection

Sub-base body for 2/2 way connection

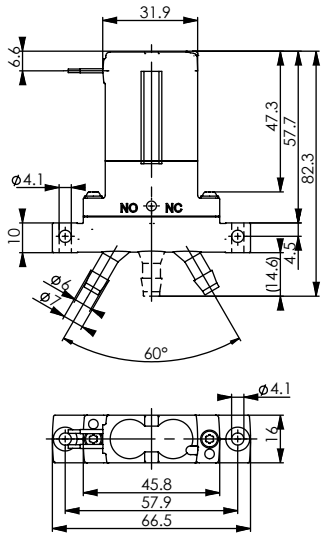


further possible threaded connection

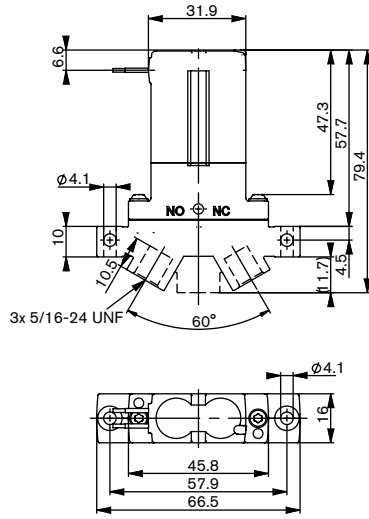


Dimensions [mm]

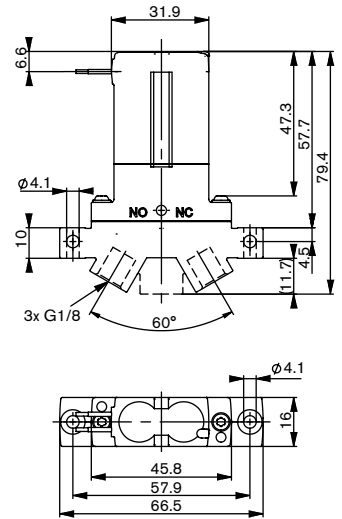
Body, tube connector



Body, UNF 5/16" -24



Body, G1/8



Application examples

Tube 2-way



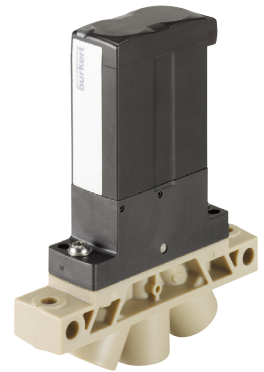
UNF 2-way



Tube 3-way



UNF 3-way



To find your nearest Bürkert facility, click on the orange box → www.buerkert.com

In case of special application conditions, please consult for advice.

Subject to alterations
© Christian Bürkert GmbH & Co. KG

1802/4_EU-en_00895195