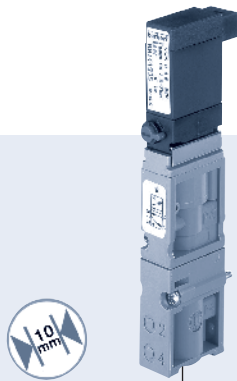
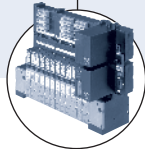


## 5/2-way Rocker Solenoid Valve for pneumatics



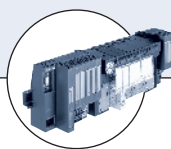
Type 6525 can be combined with...



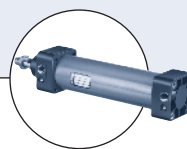
**Type 8640**  
Valve island



**Type 2031**  
Diaphragm valve



**Type 8644**  
Valve island



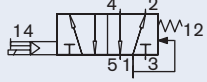
**Type 0044**  
Cylinder

- Compact design
- Single and manifold mounting
- Low power consumption
- Rocker pilot in DC
- Fast response times

The Type 6525 consist of a pilot rocker valve Type 6104 and a pneumatic seat valve. The rocker principle allows switching of high pressures together with low power consumption and fast response times. All valves are equipped with manual override as a standard.

Technical data	
<b>Orifice</b>	DN 4.0
<b>Body material</b>	PA (polyamide)
<b>Seal material</b>	FPM, NBR and PUR
<b>Media</b>	Lubricated, oilfree, dry compressed air; neutral gases (5µm filter recommended)
<b>Media temperature</b>	14°F to 122°F (-10°C to +50°C)
<b>Ambient temperature</b>	14°F to 131°F (-10°C to +55°C)
<b>Manual override</b>	As a standard feature
<b>Port connection</b>	Flange for MP11
<b>Pneumatic module</b>	Type MP11 with M5, M7, push-in connection Ø 6 mm
<b>Voltage tolerance</b>	±10%
<b>Cycling rate</b>	approx. 1000 c.p.m.
<b>Voltage</b>	24 V DC
<b>Nominal power</b>	1 W
<b>Duty cycle</b>	Continuous operation (100% ED)
<b>Electrical connection on valve</b>	Rectangular plug with Raster 5.08 mm
<b>Type of protection</b>	IP 40 with rectangular plug
<b>Protection class</b>	3 acc. to VDE 0580
<b>Weight</b>	21 g
<b>Mounting</b>	with 2 screws M2x20
<b>Installation</b>	As required, preferably with actuator upright

## Ordering chart for valves

Circuit function	Orifice [mm]	C <sub>v</sub>	Q <sub>Nn</sub> value air [l/min]	Pressure range [PSI]	Response time		Voltage/frequency [V/Hz]	Item no.
					Opening [ms]	Closing [ms]		
 H 5/2-way valve	4	0.28	300	14.5 - 101.5 <sup>1)</sup>	15	20	24 V DC	150 335
				36.25 - 101.5	15	20	24 V DC	144 935
				36.25 - 145	20	28	24 V DC	150 610

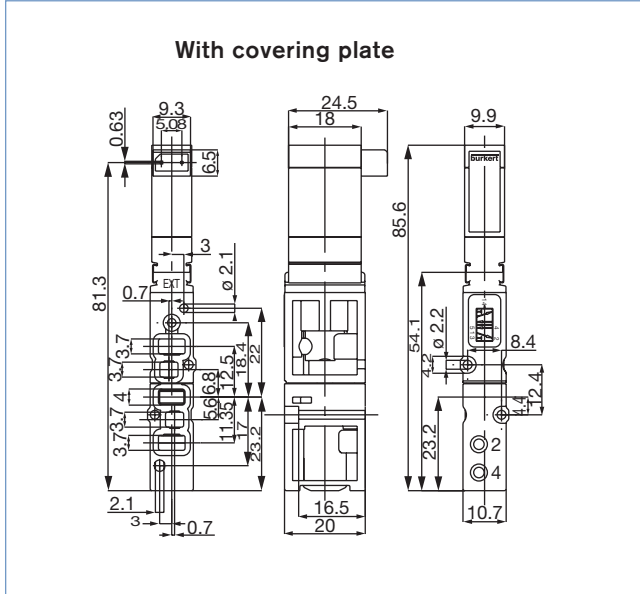
<sup>1)</sup> version with auxiliary pilot air

<b>Flow rate</b> Q <sub>Nn</sub> value air [l/min]	Measured at 68°F (+20°C), 87 PSI pressure at valve inlet and 14.5 PSI pressure difference
<b>Pressure values [PSI]</b>	Measured as overpressure to the atmospheric pressure
<b>Response times [ms]</b>	Measured acc. to ISO 12238

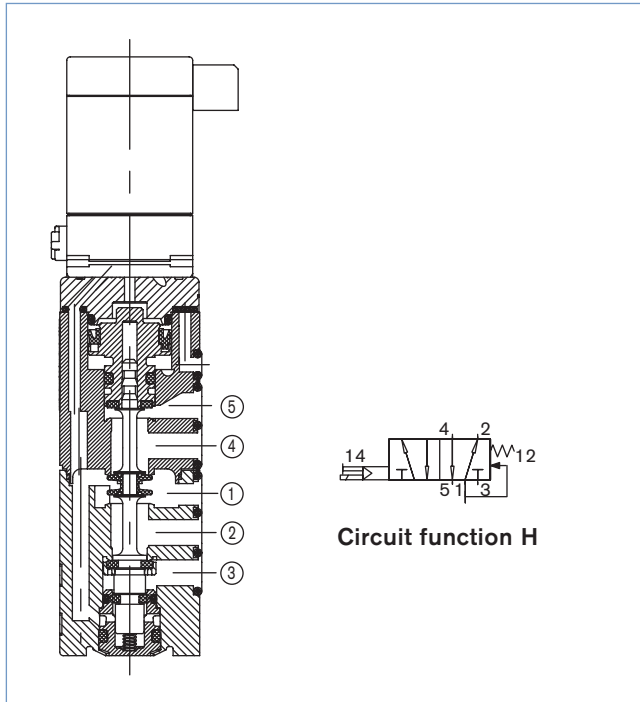
## Ordering chart for accessories

Accessory	Version	Features	Item no.	
Rectangular cable plug	Raster 5.08 mm	with 3 m cable	133 486	
		with 300 mm flying leads	644 068	
		with 2 single contacts	644 067	
Protective cover for 5/2-way valve position	complete	for 1 unused valve position	650 373	
Pneumatic connector module	left	Push-in connection Ø 10 mm	144 752	
		G 1/4	144 750	
		NPT 1/4	144 751	
	right	Push-in connection Ø 10 mm	144 755	
		G 1/4	144 753	
		NPT 1/4	144 754	
Pneumatic basic module MP11, 2 valve wide	Push-in connection Ø 6 mm	without check valve	144 903	
		with check valve in R	144 909	
		with check valve in R and S	144 906	
		Connection M5	without check valve	144 904
			with check valve in R	144 910
			with check valve in R and S	144 907
	Connection M7	without check valve	144 905	
		with check valve in R	144 911	
		with check valve in R and S	144 908	
	Pneumatic basic module MP11, 8 valve wide	Push-in connection Ø 6 mm	without check valve	144 912
			with check valve in R	144 918
			with check valve in R and S	144 915
Connection M5			without check valve	144 913
			with check valve in R	144 919
			with check valve in R and S	144 916
Connection M7		without check valve	144 914	
		with check valve in R	144 920	
		with check valve in R and S	144 917	

Dimensions [mm]



Selectional drawing



DTS 1000112362 EN Version: - Status: RL (released | freigegeben | validé) printed: 22.09.2017