

3/2- and 5/2-Way, 36.25 – 101.5 PSI



Advantages/Benefits

- ▶ PTB EEx ia IIC T6 approved
- ▶ FM IS / I, II, III / ABCDEFG approved
- ▶ Low power consumption
- ▶ 3/2- and 5/2-way
- ▶ High flow rates
- ▶ Long service life

The Type 6520 intrinsically safe valves are used for process actuation in hazardous areas. Thanks to the intrinsically safe design and the choice of corrosion resistant materials, the valves can be used in a wide variety of demanding applications. The NAMUR flange allows easy mounting directly to process valves. Due to the low power consumption, up to 4 valves can be connected to the Profibus PA I/O-Box Type 8642. The circuit function of the Type 6520 can easily be changed from H (5/2-way) to C (3/2-way) simply by changing the adapter plate, which is within scope of supply.

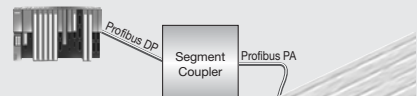
Applications

Target markets:

- Chemical industry
- Pharmaceutical processing equipment
- Industrial waste water treatment
- Oil and gas industry

Process Specification

Nominal voltage	24 V/DC, ± 10%
Switching current	4.5 mA
Power consumption	0.11 W
Closed circuit	≤ 0.1 mA at 24 V
Electrical connection	1 x PG9
Duty cycle	100% continuously rated
Pneumatic connections	
Supply port	1, 3 and 5: G 1/4
Service port	2 and 4: NAMUR flange
Protection class	IP 65 with cable plug
Materials	
Pilot valve	Aluminum, anodized
Body	PA
Supply ports	Brass, nickel-plated or stainless steel
Seal	NBR, FKM, PUR
Fluids	Unlubricated instrument air, neutral gases
Media temperatures	-4°F to 122°F
Ambient temperatures	-4°F to 131°F
Mounting position	Any, preferably solenoid system upright



Burkert Contromatic USA
 2602 McGaw Avenue
 Irvine, CA 92614
 Tel. 949.223.3100
 Fax 949.223.3198
 www.burkert-usa.com

Burkert Contromatic Inc.
 760 Pacific Road, Unit 3
 Oakville, Ontario, Canada L6L 6M5
 Tel. 905.847.5566
 Fax 905.847.9006
 www.burkert.ca

burkert
 Fluid Control Systems

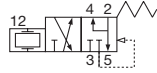
DTS 1000090218 EN Version: - Status: RL (released | freigegeben | validé) printed: 22.09.2017

HazEx™ Piezo Operated NAMUR Solenoid Valve – Pneumatic Type 6520 Intrinsically Safe, DIV 1, 2, T6, Class I/Group A NAMUR

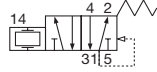
Technical Data

Circuit Function

C 3/2-way valve, servo-assisted, in de-energized position, port 2 connected to port 4



H 5/2-way valve, servo-assisted, in de-energized position, port 2 pressurized and port 4 exhausted



Type	Circuit function	Orifice [inch]	QnN-Value (air) [l/min]	Pressure range [PSI]	Response times		Weight [lb.]
					opening [ms]	closing [ms]	
6520	H or C	1/4	380**	36.25 – 101.5	250	500	1.32
6520	H or C	1/4	900	36.25 – 101.5	250	500	1.32

** Version for supply with reduced flow

Flow rate: QnN-value air [l/min]

Measured at 68°F, 87 PSI pressure at valve inlet and 14.5 PSI pressure difference

Pressure ranges [PSI]

Gauge measurements

Response times [ms]

Measured at valve outlet at 87 PSI and 68°F
Opening Pressure rise from 0 to 90%
Closing Pressure drop from 100 to 10%

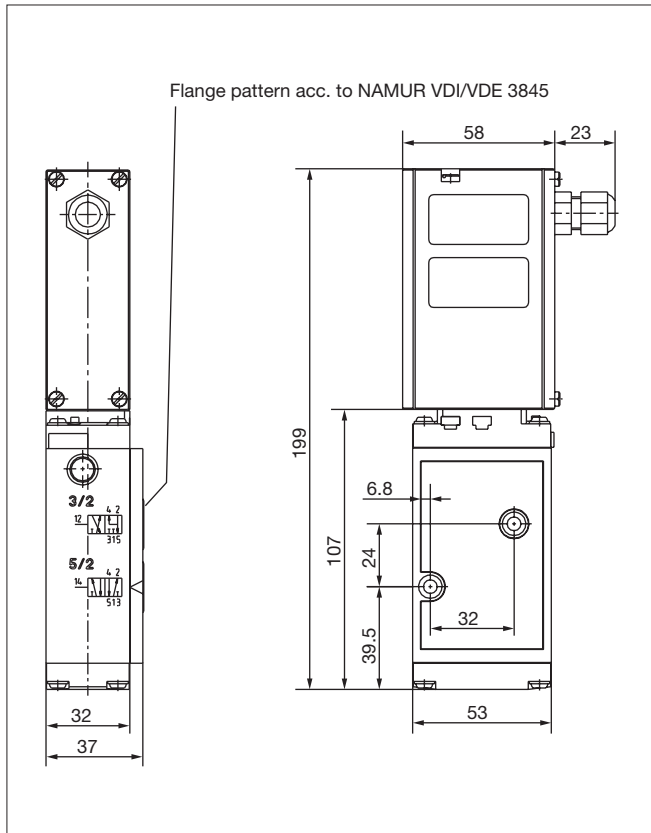
Specifications - Ordering Chart (Other Versions on Request)

Type	Circuit function	Supply port material	Port connection 2 and 4	Port connection 1, 3 and 5	Orifice [inch]	Min. air flow supply [l/min]	QnN-Value (air) [l/min]	Pressure range [PSI]	Item-No.
6520	H or C	Brass, nickel-plated	NAMUR	G 1/4	1/4	≥ 150	380 **	36.25 – 101.5	141 722 S
6520	H or C	Brass, nickel-plated	NAMUR	G 1/4	1/4	≥ 270	900	36.25 – 101.5	136 667 W
6520	H or C	Stainless steel*	NAMUR	G 1/4	1/4	≥ 150	380 **	36.25 – 101.5	141 721 Z
6520	H or C	Stainless steel*	NAMUR	G 1/4	1/4	≥ 270	900	36.25 – 101.5	139 374 B

* For versions with stainless steel supply port, fixing and connection screws are as well made of stainless steel

** Version for supply with reduced flow

Dimensions [mm]



In case of special requirements please consult for advice.

We reserve the right to make technical changes without notice.

0603/1_US-en