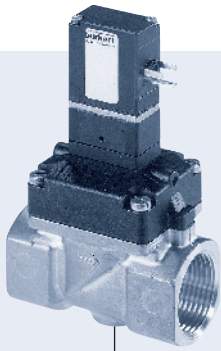
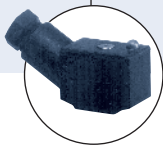


2/2-way Solenoid Valve with servo diaphragm

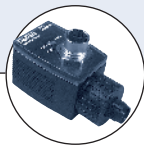


Type 6212 can be combined with...



Type 2506

Cable plug



Type 2510

ASI cable plug

2/2-way solenoid valve with servo-diaphragm and 3-way pilot control with media separation. Supplied in the circuit functions NC and NO.

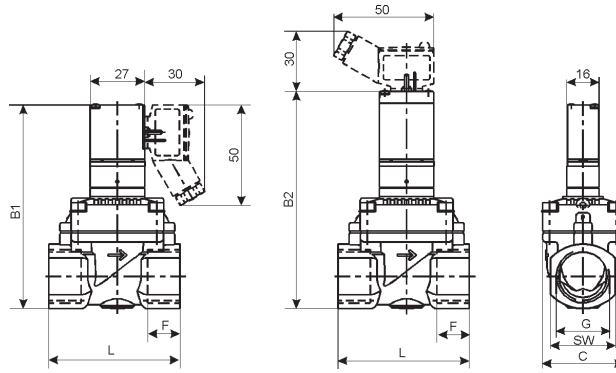
As an option, the valve can be delivered with an integrated flow switch and the accompanying electronics integrated into the cable plug.

- Media separation
- Waterhammer-free, low noise
- Low power consumption
- Option with flow switch
- Stainless steel body for partially aggressive media
- NC and NO circuit function
- Approval: (CE)

Technical data	Valve without flow switch
Orifice	3/8" - 7/16" (DN 10 - 20 mm)
Body material	Brass or stainless steel 1.4404
Body cover and internal part	PPE/PA (Noryl)
Pilot flange	Stainless steel 1.4404
Seal material	PPS
Media or flow switch	NBR and FKM (EPDM on request)
NBR	Neutral media, such as compressed air, water, hydraulic oil
EPDM	Oil and fat-free media
FKM	Per-solutions, oil, fat, diluted acids
Media temperature	
without flow switch	
NBR	+32 to +122 °F (0 to +50 °C)
EPDM	+14 to +122 °F (-10 to +50 °C)
FKM	+32 to +122 °F (0 to +50 °C)
Ambient temperature	Up to +131 °F (+55 °C)
Operating voltage/ Power consumption	24 V/DC (3.4 W), for 24/AC, use cable plug with rectifier; (see data sheet for type 2506)
[W]	110-120 V/UC (4 W), 230-240 V/UC (4 W)
Voltage tolerance	±10 %
Duty cycle	100 % continuous rating
Electrical connection	
Tag connector acc.	Tag connector sideways at 24 V/DC
DIN 43650 C	Tag connector above at 110/230 V/UC
Cable plug	Types 2506 and 2510 (see separate data sheet)
Protection class	IP 65 with cable plug
Installation	As required, preferably with actuator upright
Option with flow switch	
Seal material	NBR
Media	Water +50 ° to +140 °F (+10 to +60 °C)

Solenoid valve dimensions

Dimensions (mm)							
Tag conn. sideways			Tag conn. above				
DN	NPT	B1	B2	C	F	L	SW
10	NPT 3/8	94.5	101.0	32	12	55	27
10	NPT 1/2	94.5	101.0	32	14	55	27
13	NPT 1/2	100.0	106.5	40	14	65	32
13	NPT 3/4	100.0	106.5	40	16	65	32
20	NPT 3/4	114.5	121.0	60	16	100	41
20	NPT 1	114.5	121.0	60	18	100	41



Ordering chart for valves (other versions on request)

Valves with brass body, with or without cable plug (please see footnote and/or Accessories)

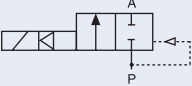
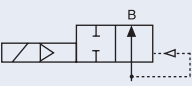
Circuit function	Orifice [mm]	Port connection [NPT]	Cv value water [GPM]	Pressure range [psi]	Voltage/frequency [V/Hz]	Item no. Cover PPE/PA Seal NBR
A 2/2-way valve NC 	10	NPT 3/8	2.2	2.8 - 145	024/DC	458 003
					110-120/UC	458 004
					230-240/UC	458 005
		NPT 1/2	2.2	2.8 - 145	024/DC	458 015
					110-120/UC	458 016
					230-240/UC	458 017
	13	NPT 1/2	4.2	2.8 - 145	024/DC	458 027
					110-120/UC	458 028
					230-240/UC	458 029
		NPT3/4	4.2	2.8 - 145	024/DC	458 039
					110-120/UC	458 040
					230-240/UC	458 041
20	NPT3/4	9.7	2.8 - 145	024/DC	458 051	
				110-120/UC	458 052	
				230-240/UC	458 053	
	NPT 1	9.7	2.8 - 145	024/DC	458 063	
				110-120/UC	458 064	
				230-240/UC	458 065	
B 2/2-way valve NO 	10	NPT 3/8	2.2	2.8 - 145	024/DC	458 157
					110-120/UC	458 158
					230-240/UC	458 159
		NPT 1/2	2.2	2.8 - 145	024/DC	458 167
					110-120/UC	458 168
					230-240/UC	458 169
	13	NPT 1/2	4.2	2.8 - 145	024/DC	458 177
					110-120/UC	458 178
					230-240/UC	458 179
		NPT 3/4	4.2	2.8 - 145	024/DC	458 187
					110-120/UC	458 188
					230-240/UC	458 189
	20	NPT 3/4	9.7	2.8 - 145	024/DC	458 197
					110-120/UC	458 198
					230-240/UC	458 199
		NPT 1	9.7	2.8 - 145	024/DC	458 207
					110-120/UC	458 208
					230-240/UC	458 209

The 110-120 and/or 230-240 V coils each have an integrated rectifier and a varistor. They are therefore suitable for use with both direct and alternating voltage. For this version, please use the cable plug without electronics only.

Solenoid valve ordering chart

Ordering chart for valves (other versions on request)

Valves with stainless steel body, without cable plug

Circuit function	Orifice [mm]	Port connection [NPT]	Cv value water [GPM]	Pressure range [psir]	Voltage/frequency [V/Hz]	Item no. Cover stainless steel Seal FKM
A 2/2-way valve NC 	10	NPT 3/8	2.2	2.3 - 145	024/DC	458 133
					110-120/UC	458 134
					230-240/UC	458 135
		NPT 1/2	2.2	2.3 - 145	024/DC	458 137
					110-120/UC	458 138
					230-240/UC	458 139
	13	NPT 1/2	4.2	2.3 - 145	024/DC	458 141
					110-120/UC	458 142
					230-240/UC	458 143
		NPT 3/4	4.2	2.3 - 145	024/DC	458 145
					110-120/UC	458 146
					230-240/UC	458 147
20	NPT 3/4	9.7	2.3 - 145	024/DC	458 149	
				110-120/UC	458 150	
				230-240/UC	458 151	
	NPT 1	9.7	2.3 - 145	024/DC	458 153	
				110-120/UC	458 154	
				230-240/UC	458 155	
B 2/2-way valve NO 	10	NPT 3/8	2.2	2.3 - 145	024/DC	458 217
					110-120/UC	458 218
					230-240/UC	458 219
		NPT 1/2	2.2	2.3 - 145	024/DC	458 221
					110-120/UC	458 222
					230-240/UC	458 223
	13	NPT 1/2	4.2	2.3 - 145	024/DC	458 225
					110-120/UC	458 226
					230-240/UC	458 227
		NPT 3/4	4.2	2.3 - 145	024/DC	458 229
					110-120/UC	458 230
					230-240/UC	458 231
20	NPT 3/4	9.7	2.3 - 145	024/DC	458 233	
				110-120/UC	458 234	
				230-240/UC	458 235	
	NPT 1	9.7	2.3 - 145	024/DC	458 237	
				110-120/UC	458 238	
				230-240/UC	458 239	

The 110-120 and/or 230-240 V coils each have an integrated rectifier and a varistor. They are therefore suitable for use with both direct and alternating voltage. For this version, please use the cable plug without electronics only.

Solenoid valve technical data

Technical data	Valve with integrated flow switch
Orifice	3/8" - 7/16" (DN 10 - 20 mm)
Electronics cable plug	(supplied as standard)
Body material	PA
Operating voltage Ue	24V/DC (acc. VDE 0160)
Residual ripple	Max. 10%
Ambient temperature	+32 ° to +122 °F (0 to +50 °C)
Electrical connection	PG 16, Ø 6 - 7 mm line Screw terminals for wires up to 0.75 mm
Protection class, body	IP 65
Inlet port	Low protective voltage 24 V DC
Outlet port	Binary output with LED display Flow-rate = High 3 V up to Ue 1 V Without flow-rate = Low ≤ 1 V
Output current	Max. 50 mA
Response time	≤ 1 sec
Power consumption	Max. 0.4 W
Area of application	Water
Media temperature	+50 to +140 °F (+10 to +60 °C)
Switching point	DN 10 8 l/min DN 13 18 l/min DN 20 30 l/min
Switch point adjustment	With potentiometer in cable plug
LED display	In cable plug cover LED display "off" No flow-rate (medium stationary) LED display "on" Flow-rate (medium flowing)

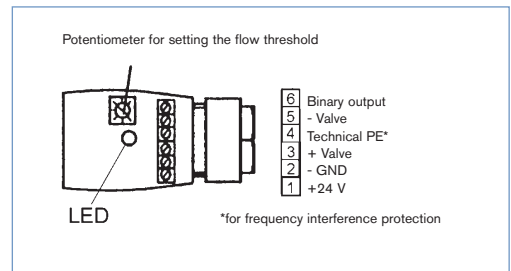
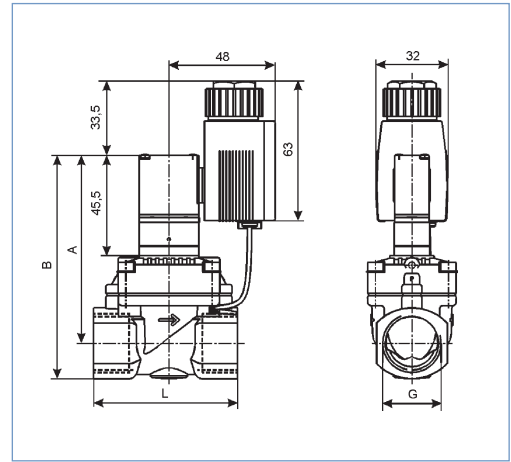
Dimensions [mm]				
DN	NPT	A	B	L
10	NPT 3/8	80.5	94.5	55
10	NPT 1/2	80.5	94.5	55
13	NPT 1/2	85.0	101.0	65
13	NPT 3/4	85.0	101.0	65
20	NPT 3/4	94.0	114.5	100
20	NPT 1	94.0	114.5	100

Ordering chart for valves with integrated flow switch (other versions on request)

Valves with brass body, with or without cable plug (please see footnote and/or Accessories)

Circuit function	Orifice [mm]	Port connection [NPT]	Cv value water [GPM]	Pressure range [psi]	Voltage/fre- quency [V/Hz]	Item no. Brass body Cover PPE/PA Seal NBR
	10	NPT 3/8	2.2	2.8 - 145	024/DC	458 012
		NPT 1/2	2.2	2.8 - 145	024/DC	458 024
	13	NPT 1/2	4.2	2.8 - 145	024/DC	458 036
		NPT 3/4	4.2	2.8 - 145	024/DC	458 048
	20	NPT 3/4	9.7	2.8 - 145	024/DC	458 060
		NPT 1	9.7	2.8 - 145	024/DC	458 072

Valves with circuit function B on request



Electrical connection
type 6212 with flow switch
 (cable plug with integrated electronic)