



Diaphragm valve 2/2 way servo-assisted

- Media separated
- Reduced power consumption
- Stainless steel housing for aggressive media
- Circuit function NC or NO



Product variants described in the data sheet may differ from the product presentation and description.

Can be combined with



Type 2516

Cable plug
DIN EN 175301 - 803 -
connector shape C

Type description

2/2 way solenoid valve with servo-diaphragm and 3-way pilot control with medium separation. Available in the circuit functions NC and NO. The medium separation in the pilot valve enables the valve to be used for slightly aggressive medium. (e. g. deionised water).

Table of contents

1. General Technical Data	3
2. Circuit functions	4
3. Materials	4
3.1. Chemical Resistance Chart – Bürkert resistApp.....	4
3.2. Material specifications	4
4. Dimensions	5
5. Ordering information	6
5.1. Bürkert eShop – Easy ordering and quick delivery.....	6
5.2. Bürkert product filter	6
5.3. Ordering chart.....	6
5.4. Ordering chart accessories.....	7
Cable plug Type 2516 acc. to DIN EN 175301-803 Form C	7

1. General Technical Data

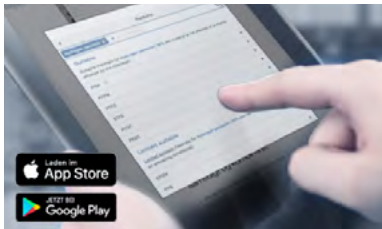
Product properties	
Dimensions	Detailed information can be found in chapter “4. Dimensions” on page 5 .
Material	
Seal	NBR, EPDM, FKM
Body	Brass or stainless steel CF3M (ähnlich 316L)
Body cover and internal part	PPE/PA Stainless steel 1.4404
Pilot flange body	PPS
Nominal diameter	DN 10...DN 20
Switching function	Detailed information can be found in chapter “2. Circuit functions” on page 4 .
Performance data	
Switching times	Opening: 0.1...0.5 Sek. Closing: 0.2...2.2 Sek.
Electrical data	
Operating voltage	24 V DC (3.4 W)
Power consumption	For AC, use cable plug with rectifier 110...120 V/UC (4 W), 230...240 V/UC (4 W) (on request)
Voltage tolerance	± 10 %
Duty cycle	100 % continuous rating (operating with 24 V DC) 40 %, 20 min. intermittent duty (operating with 110...120 V/UC, 230...240 V/UC)
Medium data	
Medium temperature	
With NBR	0 °C...+50 °C
With EPDM	- 10 °C...+50 °C
With FKM	0 °C...+50 °C
Operating medium	
With NBR	Neutral medium, such as compressed air, water, hydraulic oil
With EPDM	Oil and fat-free medium, diluted alkaline solutions
With FKM	Per-solutions, oil, fat, diluted acids
Process/Port connection & communication	
Electrical connection (Tag connector acc. to DIN EN 175301 - 803 Form C)	Tag connector sideways at 24 V DC Tag connector above at 110/230 V/UC (see “4. Dimensions” on page 5)
Environment and installation	
Installation position	As required, preferably with actuator upright
Ambient temperature	Max. +55 °C
Degree of protection	IP65 with cable plug

2. Circuit functions

Circuit functions	Description
	Type: A, solenoid valve 2/2 way Servo-controlled Normally closed
	Type: B, solenoid valve 2/2 way Servo-controlled Normally open

3. Materials

3.1. Chemical Resistance Chart – Bürkert resistApp

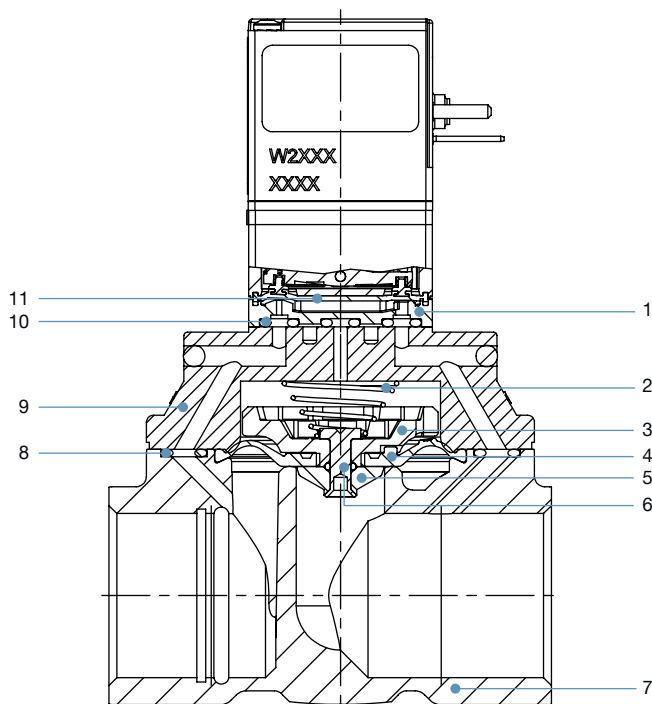


Bürkert resistApp – Chemical Resistance Chart

You want to ensure the reliability and durability of the materials in your individual application case? Verify your combination of media and materials on our website or in our resistApp.

[Start Chemical Resistance Check](#)

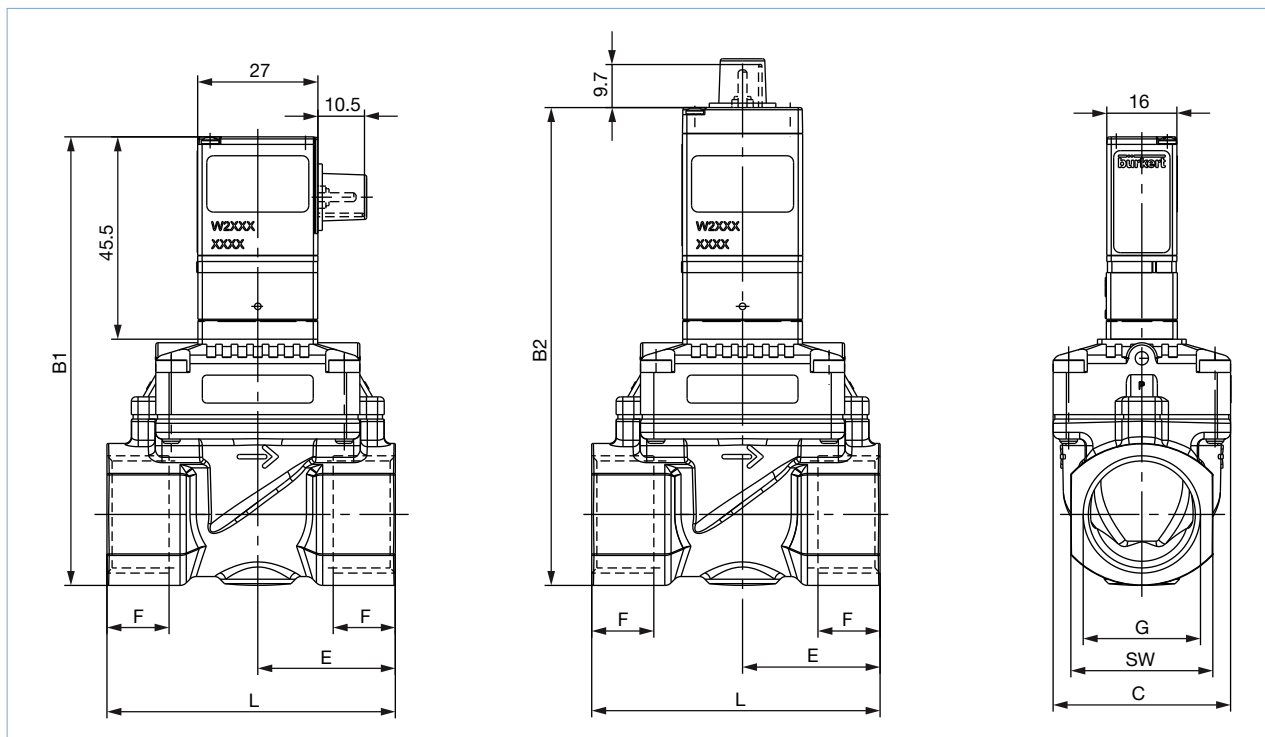
3.2. Material specifications



No.	Element	Material
1	Flange body	PPS
2	Pressure spring	Stainless steel 1.4310
3	Diaphragm support	PPS
4	Diaphragm	NBR, FKM or EPDM
5	Diaphragm holder	PPS
6	Bolt	Brass or stainless steel
7	Valve body	Brass, stainless steel CF3M (similar to 316L)
8	O-ring	FKM or EPDM
9	Cover	Stainless steel or PPE/PA
10	O-ring	NBR, FKM or EPDM
11	Separating diaphragm	FKM or EPDM

4. Dimensions

Note:
Dimensions in mm




DN	G	Tag connectors sideways B1	Tag connectors above B2	C	E	F	L	SW
10	G 1/2	94.5	101	32	25	14	55	27
10	G 3/8	94.5	101	32	25	12	55	27
13	G 3/4	101	107.5	40	31	16	65	32
13	G 1/2	101	107.5	40	31	14	65	32
20	G 1	114.5	121	60	50	18	100	41
20	G 3/4	114.5	121	60	50	16	100	41

DTS 1000011052 EN Version: RL (released | freigegeben | validé) printed: 29.01.2020

5. Ordering information

5.1. Bürkert eShop – Easy ordering and quick delivery

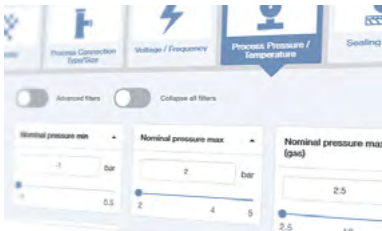


Bürkert eShop – Easy ordering and fast delivery

You want to find your desired Bürkert product or spare part quickly and order directly? Our online shop is available for you 24/7. Sign up and enjoy all the benefits.

[Order online now](#)

5.2. Bürkert product filter



Bürkert product filter – Get quickly to the right product

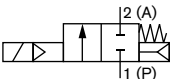
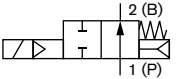
You want to select products comfortably based on your technical requirements? Use the Bürkert product filter and find suitable articles for your application quickly and easily.

[Try out our product filter](#)

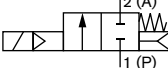
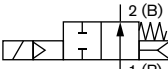
5.3. Ordering chart

Note:

- Cable plug is not included in delivery. Please order separate, see **“5.4. Ordering chart accessories” on page 7** or separate data sheet **Type 2516** ▶.
- On request: 110...120 or 230...240 coils both with an integrated rectifier and a varistor. They are therefore suitable for use with both direct and alternating voltage. For this version, please use only the cable plug without electronics.

Circuit function	Pressure range	Orifice	Weight	Port connection	K _v value water	Voltage/frequency	Article no. NBR seal	Article no. FKM seal	Article no. EPDM seal
	[bar]								
Brass body, cover material PPE/PA, different sealing materials									
A, solenoid valve 2/2 way Servo-controlled Normally closed 	0.2...10 ^{1.1}	10	0.31	G 3/8	1.9	024/DC	138930	138933	138936
				G 1/2	1.9	024/DC	138943	138946	138949
		13	0.44	G 1/2	3.6	024/DC	138956	138959	138962
				G 3/4	3.6	024/DC	138968	138971	138974
		20	0.85	G 3/4	8.3	024/DC	138980	138983	138986
				G 1	8.3	024/DC	138992	138995	138998
B, solenoid valve 2/2 way Servo-controlled Normally open 	0.2...6 ^{1.1}	10	0.31	G 3/8	1.9	024/DC	139602	139605	139608
				G 1/2	1.9	024/DC	139612	139615	139618
		13	0.44	G 1/2	3.6	024/DC	139622	139625	139628
				G 3/4	3.6	024/DC	139632	139635	139638
		20	0.85	G 3/4	8.3	024/DC	139642	139645	139648
				G 1	8.3	024/DC	139652	139655	139658

DTS 1000011052 EN Version: G Status: RL (released | freigegeben | valide) printed: 29.01.2020

Circuit function	Pressure range	Orifice [mm]	Weight [kg]	Port connection	K _v value water [m ³ /h]	Voltage/frequency [V/Hz]	Article no. PPE/PA-Cover NBR-Seal	Article no. Stainless steel-Cover FKM-Seal	Article no. Stainless steel-Cover EPDM-Seal
	[bar]								
Stainless steel body, different cover and sealing materials									
A, solenoid valve 2/2 way Servo-controlled Normally closed 	0.2...10 ^{1.1}	10	0.31	G 3/8	1.9	024/DC	140693	139578	140669
				G 1/2	1.9	024/DC	140696	139582	140673
		13	0.44	G 1/2	3.6	024/DC	140699	139586	140677
				G 3/4	3.6	024/DC	140702	139590	140681
		20	0.85	G 3/4	8.3	024/DC	140705	139594	140685
				G 1	8.3	024/DC	140708	139598	140689
B, solenoid valve 2/2 way Servo-controlled Normally open 	0.2...6 ^{1.1}	10	0.31	G 3/8	1.9	024/DC	140735	139662	140711
				G 1/2	1.9	024/DC	140738	139666	140715
		13	0.44	G 1/2	3.6	024/DC	140741	139670	140719
				G 3/4	3.6	024/DC	140744	139674	140723
		20	0.85	G 3/4	8.3	024/DC	140748	139678	140727
				G 1	8.3	024/DC	140751	139682	140731

1.) A differential pressure of 0.5 bar is necessary to open to the full orifice.


Further versions on request	
 Approval UR/CSA approval	 Voltage Non standard voltages, 110...120 V, 230...240 V

5.4. Ordering chart accessories

Cable plug Type 2516 acc. to DIN EN 175301 -803 Form C

Note:

- Delivery of cable plug includes a flat seal and a fixing screw.
- Further versions of cable plug with circuitry acc. to DIN EN 175 301 -803 Form C as well as detailed technical data, see datasheet **Type 2516** ▶.

Cable plug	Version	Voltage	Article no.
	Without circuitry (standard)	0...250 V AC/DC	303141
	With LED	12...24 V AC/DC	303145
	With LED and varistor	12...24 V AC/DC	303148
	With rectifier, LED and varistor	12...24 V AC/DC	303142

Bürkert – Close to You

For up-to-date addresses
please visit us at
www.burkert.com

DTS 1000011052 EN Version: G Status: RL (released | freigegeben | validé) printed: 29.01.2020

