

Servo-assisted 2/2 way diaphragm valve



- Media separated
- Reduced power consumption
- Stainless steel housing for aggressive media
- Circuit function NC or NO

Type 6212 can be combined with...



Type 2516

Cable plug to DIN EN 175301-803 Form C

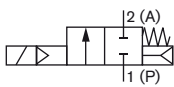


Type 2510

ASI cable plug

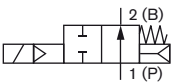
2/2 way solenoid valve with servo-diaphragm and 3-way pilot control with medium separation. Available in the circuit functions NC and NO. The medium separation in the pilot valve enables the valve to be used for slightly aggressive medium. (e.g. deionised water).

Circuit Function A



2/2 way servo-controlled solenoid valve, normally closed

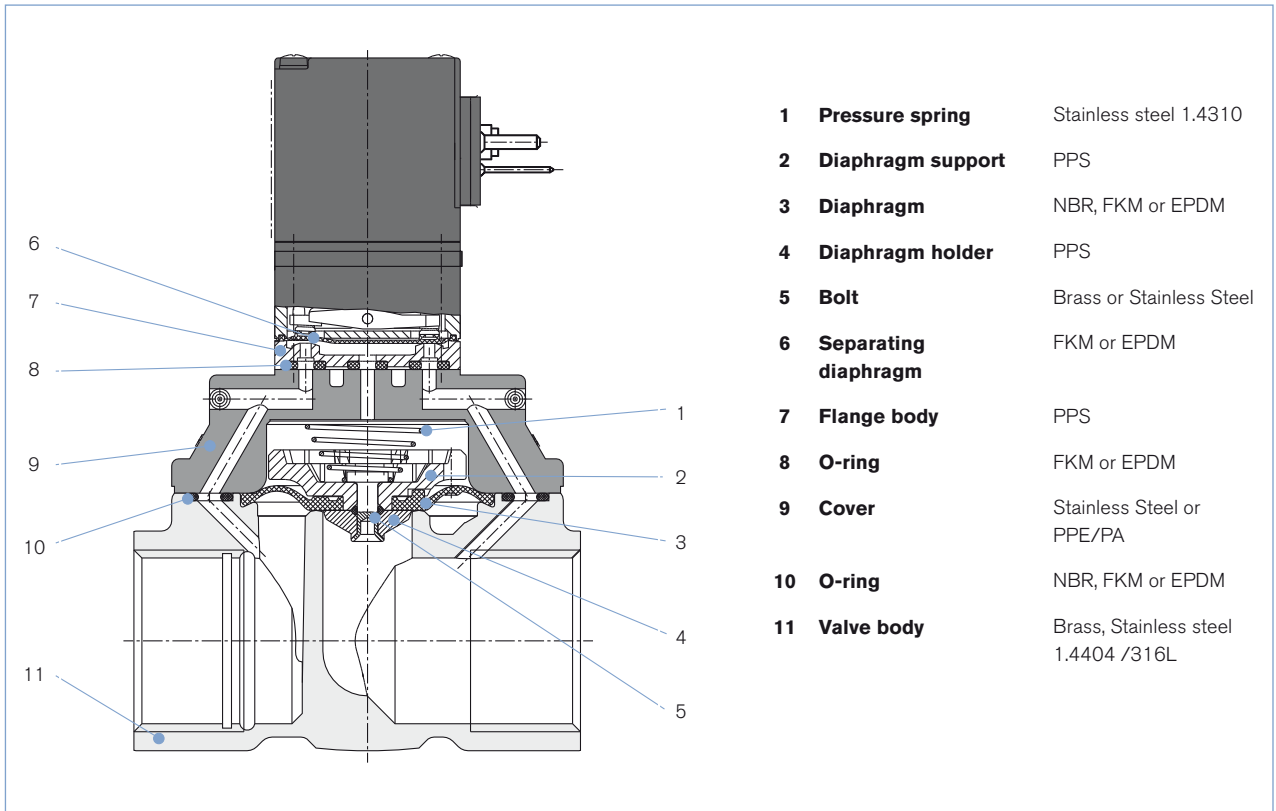
Circuit Function B



2/2 way servo-controlled solenoid valve, normally open

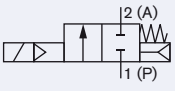
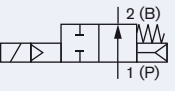
Technical data	
Orifice	DN10 - 20 mm
Body material	Brass or stainless steel 1.4404
Body cover and internal part	PPE/PA Stainless steel 1.4404
Pilot flange body	PPS
Seal material	NBR, EPDM, FKM
Medium	
NBR	Neutral medium, such as compressed air, water, hydraulic oil
EPDM	Oil and fat-free medium
FKM	Per-solutions, oil, fat, diluted acids
Medium temperature	
NBR	0 to +50 °C
EPDM	-10 to +50 °C
FKM	0 to +50 °C
Ambient temperature	Up to +55 °C
Operating voltage/ power consumption	24 V DC (3.4 W), for AC, use cable plug with rectifier; 110 - 120 V/UC (4 W), 230 - 240 V/UC (4 W) (on request)
Voltage tolerance	± 10 %
Duty cycle	100 % continuous rating (operating with 24 V DC) 40 %, 20 min. intermittent duty (operating with 110 - 120 V/UC, 230 - 240 V/UC)
Electrical connection	
Tag connector acc. DIN EN 175301-803 Form C (previous DIN 43650)	Tag connector sideways at 24 V DC Tag connector above at 110/230 V/UC (see dimensions page 4)
Cable plug	Types 2516 and 2510 (see Accessories)
Protection class	IP65 with cable plug
Installation	As required, preferably with actuator upright
Response times	
Opening	0.1 up to 0.5 sec.
Closing	0.2 up to 2.2 sec.

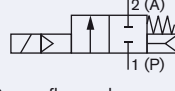
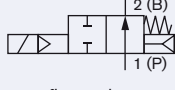
Materials



Ordering chart for valves (other versions on request)

Cable plug is not included in delivery. Please order separate. (see accessories)

Circuit function	Pressure range [bar]	Orifice [mm]	Weight [kg]	Port connection	K _v value water [m ³ /h]	Voltage/Frequency [V/Hz]	Article no. PPE/PA-Cover NBR-Seal	Article no. PPE/PA-Cover FKM-Seal	Article no. PPE/PA-Cover EPDM-Seal
Valves with brass body; cover material PPE/PA; different sealing materials									
 <p>2/2 way flow valve, normally closed</p>	0.2-10 *	10	0.31	G 3/8	1.9	024/DC	138930	138933	138936
				G 1/2	1.9	024/DC	138943	138946	138949
		13	0.44	G 1/2	3.6	024/DC	138956	138959	138962
				G 3/4	3.6	024/DC	138968	138971	138974
			0.85	G 3/4	8.3	024/DC	138980	138983	138986
				G 1	8.3	024/DC	138992	138995	138998
 <p>2/2 way flow valve, normally open</p>	0.2-6 *	10	0.31	G 3/8	1.9	024/DC	139602	139605	139608
				G 1/2	1.9	024/DC	139612	139615	139618
		13	0.44	G 1/2	3.6	024/DC	139622	139625	139628
				G 3/4	3.6	024/DC	139632	139635	139638
		0.85	G 3/4	8.3	024/DC	139642	139645	139648	
			G 1	8.3	024/DC	139652	139655	139658	

Circuit function	Pressure range [bar]	Orifice [mm]	Weight [kg]	Port connection	K _v value water [m ³ /h]	Voltage/Frequency [V/Hz]	Article no. PPE/PA-Cover NBR-Seal	Article no. Stainless steel-Cover FKM-Seal	Article no. Stainless steel-Cover EPDM-Seal
Valves with Stainless steel body; different cover and sealing materials									
 <p>2/2 way flow valve, normally closed</p>	0.2-10 *	10	0.31	G 3/8	1.9	024/DC	140693	139578	140669
				G 1/2	1.9	024/DC	140696	139582	140673
		13	0.44	G 1/2	3.6	024/DC	140699	139586	140677
				G 3/4	3.6	024/DC	140702	139590	140681
			0.85	G 3/4	8.3	024/DC	140705	139594	140685
				G 1	8.3	024/DC	140708	139598	140689
 <p>2/2 way flow valve, normally open</p>	0.2-6 *	10	0.31	G 3/8	1.9	024/DC	140735	139662	140711
				G 1/2	1.9	024/DC	140738	139666	140715
		13	0.44	G 1/2	3.6	024/DC	140741	139670	140719
				G 3/4	3.6	024/DC	140744	139674	140723
		0.85	G 3/4	8.3	024/DC	140748	139678	140727	
			G 1	8.3	024/DC	140751	139682	140731	

* A differential pressure of 0.5 bar is necessary to open to the full orifice.

On request 110-120 V and 230-240 V coils both with an integrated rectifier and a varistor. They are therefore suitable for use with both direct and alternating voltage. For this version, please use only the cable plug without electronics.

i Further versions on request



Voltages

Non standard voltages, 110-120 V, 230-240 V



Approvals

UR/ CSA approval

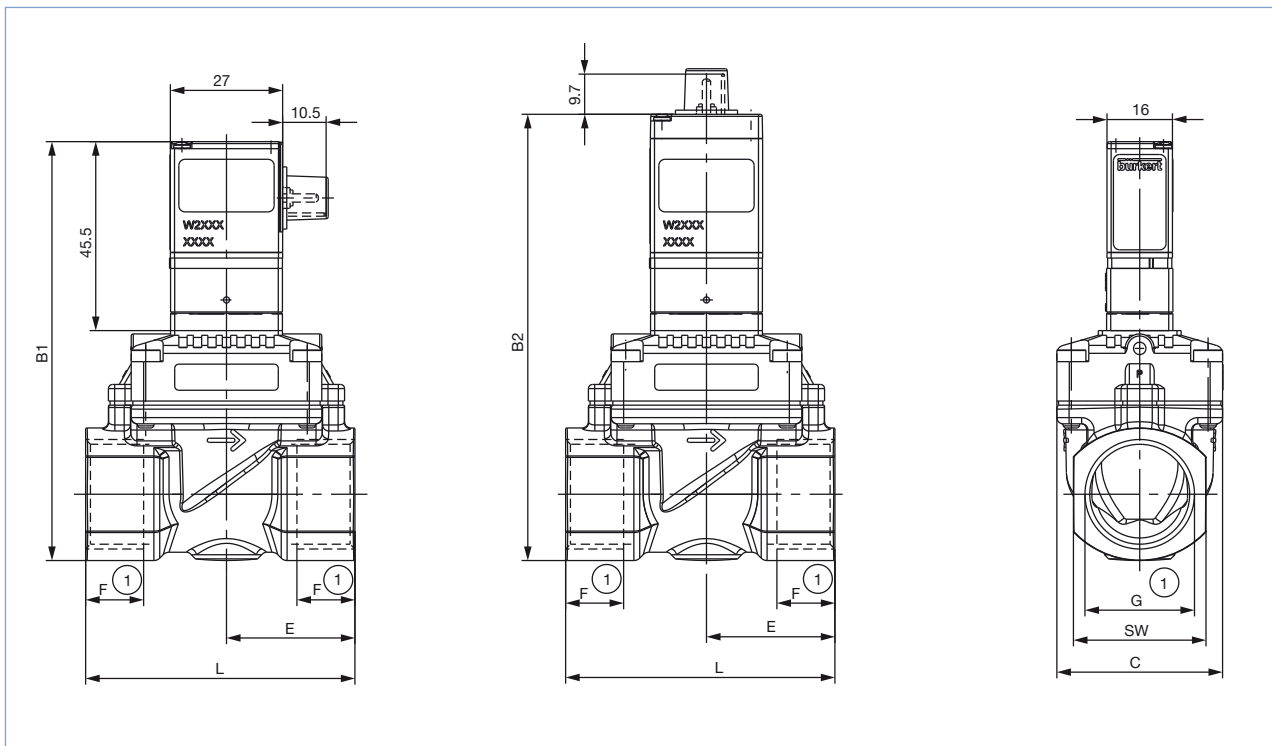
Ordering table for accessories - Connector acc. to DIN EN 175301-803 (previously DIN 43650) Form C

Included in delivery is a connector with flat seal and fixing screw. Further versions with circuit protection and detailed technical data see datasheet Type 2516.

Circuit	Voltage	Article no. Type 2516
without circuit (standard)	0- 250 V DC	303141
with LED	12- 24 V DC	303145
with LED and varistor	12- 24 V DC	303148
with rectifier, LED and varistor	12- 24 V AC/DC	303142
further versions	see datasheet Type 2516	



Dimensions [mm]



DN	G	Tag conn. sideways B1	Tag conn. above B2	C	E	F	L	SW
10	G 1/2	94.5	101	32	25	14	55	27
10	G 3/8	94.5	101	32	25	12	55	27
13	G 3/4	101	107.5	40	31	16	65	32
13	G 1/2	101	107.5	40	31	14	65	32
20	G 1	114.5	121	60	50	18	100	41
20	G 3/4	114.5	121	60	50	16	100	41

To find your nearest Bürkert facility, click on the orange box →

www.burkert.com

In case of special application conditions, please consult for advice.

We reserve the right to make technical changes without notice.

1801/5_EU-en_00891749