



Servo-assisted 2/2 way diaphragm valve

- Push-over solenoid system AC07
- Energy-saving AC07 coil, max. DN20
- Body in brass
- Pressure range 0.5 up to 10 bar¹⁾

Type 6211 can be combined with...



Type 2516

Cable plug to DIN EN 175301-803 Form C²⁾



Type 2507

Cable plug industrial standard Form B



Type 2510

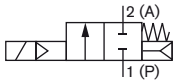
ASI-cable plug

The Type 6211 is a servo-assisted normally closed 2/2 way solenoid valve with a servo diaphragm for use especially with neutral fluids and gaseous media. The valve has a low power consumption, low weight and a compact body.

The valve is normally closed by spring force. Energized, the solenoid opens the pilot valve first. Then the medium pressure opens the main valve due to the pressure drop above the diaphragm. The valve opens.

The special design and geometry of the inner parts of the valve result in a soft closing function and cause almost no water hammer.

Circuit function A



2/2 way servo-controlled solenoid valve, normally closed

¹⁾ Pressure data [bar]: Overpressure with respect to atmospheric pressure

²⁾ For opening the full cross-section, a pressure difference of 0.5 bar is required.

Technical data	
Body material	Brass (DIN 50930-6)
Body cover	PPE/PA
Sealing material	NBR, EPDM, FKM
Media	
NBR	neutral gases and fluids (e.g. compressed air, water, hydraulic oil, oil, fat without additives);
EPDM	oil and fat-free media
FKM	(e.g. alkaline washing and bleaching lyes); per-solutions, oils with additives
Medium temperature	
NBR	0 ... + 70 °C
EPDM	- 10 ... + 70 °C
FKM	0 ... + 70 °C
Ambient temperature	max. + 55 °C
Port connection	G 3/8 ... G 1 (NPT or RC on request)
Operating voltage	24 V DC 24 / 110 / 230 V / 50-60 Hz
Power consumption	4 W
Inrush	9 VA AC, 4 W DC (hot) 5 W (cold)
Hold	6 VA AC, 4 W DC
Voltage tolerance	± 10 %
Duty cycle	100 % continuous rating
Electrical connection	<ul style="list-style-type: none"> ▪ Tag connector sideways ▪ acc. to DIN EN 175301-803* Form C for cable plug Type 2516 (on request) ▪ acc. to DIN 43650 Form B (industrial standard) for cable plug Type 2507 (see Ordering chart for accessories)
Installation	as required, preferably with actuator upright
Weight	see table Response times
Protection class	IP65 with cable plug
Insulating class of coil	
Polyamide coil	Cable plug Form C - class B
Epoxy coil	Cable plug Form B - class H Flying leads

Response times

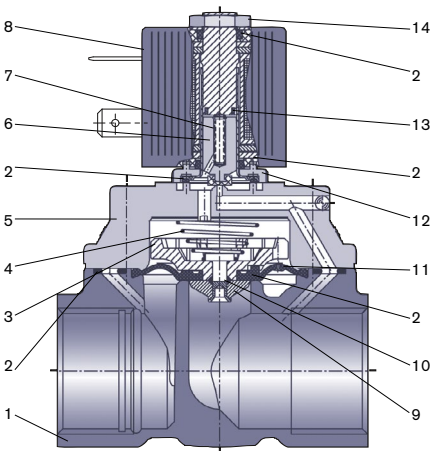
Orifice [mm]	K _v value water [m ³ /h]	Port connection [mm]	Pressure range ²⁾ [bar] ¹⁾	Response times		Weight Closing [kg]
				Opening [ms]	Closing [ms]	
10	1.9	G 3/8, G 1/2	0.5 - 10	20 - 25	100 - 120	0.31
13	3.6	G 1/2, G 3/4	0.5 - 10	100 - 200	200 - 250	0.44
20	8.3	G 3/4, G 1	0.5 - 10	400	500 - 700	1.03

¹⁾ Pressure data [bar]: Overpressure with respect to atmospheric pressure

²⁾ For opening the full cross-section, a pressure difference of 0.5 bar is required.

- K_v value [m³/h]: Flow rate value for water, measured at +20 °C and 1 bar¹⁾ pressure differential over a fully opened valve.
- Response times [ms]: measured at valve outlet at 6 bar¹⁾ and +20 °C
Opening: pressure build-up 0...90%, Closing: pressure relief 100...10%

Materials

	1	Body	Brass	
	2	O-ring	NBR, FKM, EPDM	
	3	Diaphragm support	PPS	
	4	Spring	St. st. 1.4310	
	5	Body cover	PPE/PA	
	6	Plunger	St. st. 1.4105	
	7	Spring	St. st. 1.4310	
	8	Coil	PA (on request)	
			DIN EN 175301-803 ^{*)} C	
			DIN 43650	
			(industrial standard) Form B	Epoxy
	9	Diaphragm holder	Brass, PPS	
	10	Bolt	Brass	
	11	Diaphragm	NBR, FKM, EPDM	
12	Flange	Steel		
13	Shading ring	Cu		
14	Locknut	Steel		
		(thick-film passivated acc. to Rohs)		

Ordering chart for valves (other versions on request)

Type 6211 Solenoid Valve with coil Form B (industrial standard) for cable plug, Type 2507
(cable plug not supplied)

Circuit function	Orifice DN [mm]	Port connection	K _v value water [m ³ /h]	Pressure range [bar] ¹⁾	Article no. per voltage/frequency [V/Hz]			
					24/DC	24/50-60	110/50-60	230/50-60
A 	Seal material NBR							
	10	G 3/8	1.9	0.5-10	163358	163359	163360	163361
		G 1/2	1.9	0.5-10	161944	163362	163363	163364
	13	G 1/2	3.6	0.5-10	163384	163385	163386	163387
		G 3/4	3.6	0.5-10	163388	163389	163390	163391
	20	G 3/4	8.3	0.5-10	163408	163409	163410	163411
		G 1	8.3	0.5-10	163412	163413	163414	161469
	Seal material FKM							
	10	G 3/8	1.9	0.5-10	163369	163370	163371	163372
		G 1/2	1.9	0.5-10	161946	163373	163374	163375
	13	G 1/2	3.6	0.5-10	163392	163393	163394	163395
		G 3/4	3.6	0.5-10	163396	163397	163398	163399
	20	G 3/4	8.3	0.5-10	163415	163416	163417	163418
		G 1	8.3	0.5-10	163419	163420	163421	163422
	Seal material EPDM							
	10	G 3/8	1.9	0.5-10	163336	163337	163338	163339
		G 1/2	1.9	0.5-10	163340	163351	163352	163353
	13	G 1/2	3.6	0.5-10	163376	163377	163378	163379
		G 3/4	3.6	0.5-10	163380	163381	163382	163383
	20	G 3/4	8.3	0.5-10	163400	163401	163402	163403
		G 1	8.3	0.5-10	163404	163405	163406	163407

¹⁾ Pressure rate [bar]: Overpressure with respect to atmospheric pressure

Ordering chart for accessories

Cable plug Type 2507, Form B Industrial standard

	Description	Voltage	Article no.
	None (standard)	0-250 V AC/DC	423845
	With LED and varistor	24 V AC/DC	423849
	With LED and free-wheeling diode	24 V DC	423851
	With rectifier, LED and varistor	12-24 V AC/DC	423853

Supplied with cable plug: flat seal and fixing screw.

Other versions of cable plug Form B (industrial standard) with circuitry see separate Datasheet Type 2507.

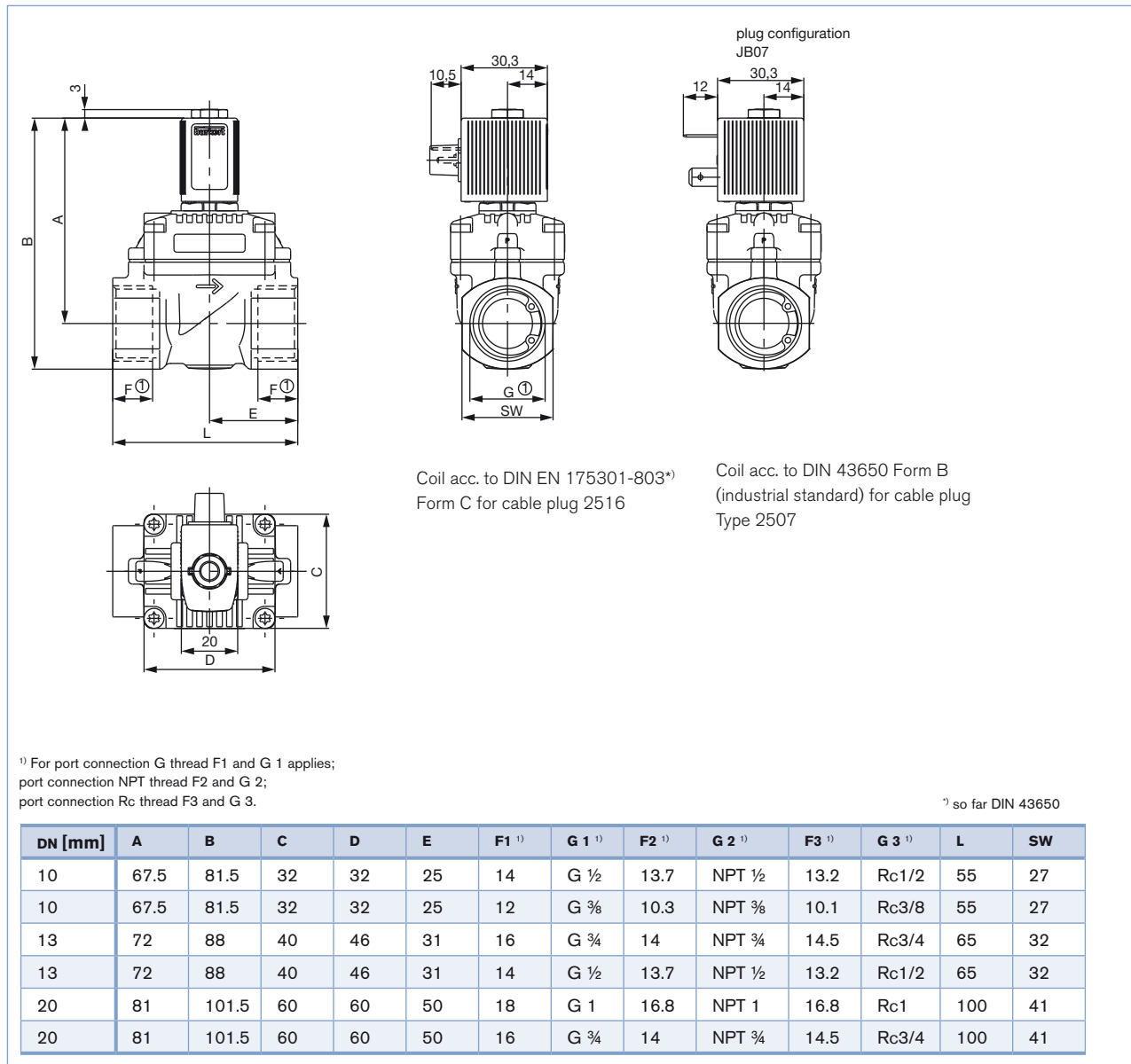
i Further versions on request

Electrical Connection
Coil with cable plug acc. to DIN EN 175301-803 Form C
Coil with flying leads

Port Connection
Threaded port NPT, Rc

Approvals
UR/CSA

Dimensions [mm]



To find your nearest Bürkert facility, click on the orange box →

www.burkert.comIn case of special application conditions,
please consult for advice.We reserve the right to make technical changes without notice.
© Christian Bürkert GmbH & Co. KG

1801/5_EU-en_00891748