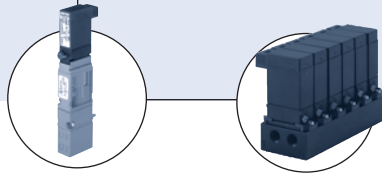


Type 6104 can be combined with...



3/2-way Rocker Solenoid Valve for pneumatic systems

- Standard, EEx ia versions
- Direct-acting
- High cycling rate
- Reduced power consumption
- Sub-base connection

Type 6524

Servo-assisted pneumatic valve

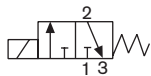
Type 6524 is a 3/2-way rocker solenoid valve with polyamide body. A tilting armature, similar to a rocker, moves in the body. The small tilting motion of the rocker is hard-wearing; basic lubrication is not required.

The modular valve can be supplied with various flange connections depending on usage and can be used both individually and in blocks. An intrinsically safe version (EEx ia) is available in addition to the standard model.

Type 6104

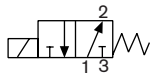
Multiple manifolds (e.g. 6 valves)

Circuit function C



3/2-way valve, direct acting, de-energized port 2 exhausted

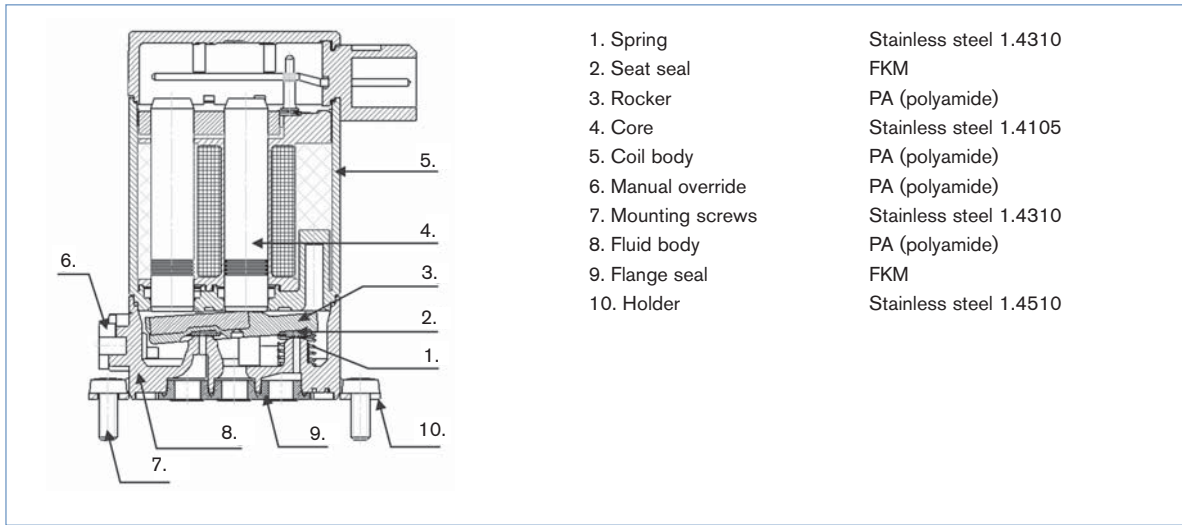
Circuit function D



3/2-way valve, direct acting, de-energized port 2 pressurized

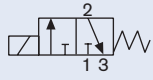
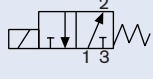
Technical data	
Body material	PA (polyamide)
Seal material	FKM
Media	Compressed air lubricated, oil-free or dry, neutral gases (5µm filtering) technical vacuum
Media temperature	-10 to +55 °C
Ambient temperature	-10 to +55 °C
Port connection	· Bürkert flange · Lateral flange
Electrical connection	Rectangular plug as standard on request: · Circular plug M8x1 · Flying lead 0.2 mm ² , 300 mm · Connector with raster 5.08 mm
Type of protection	Standard version without EEx ia version II 2G EEx ia IIC T5 T6 PTB01 ATEX 2173
Operating voltage	24 V/DC 12 V/DC on request
Voltage tolerance	±10%
Nominal power	Standard 1 W EEx ia version 0.4 W
Duty cycle	100% continuous rating
Installation	As required, preferably with actuator upright
Insulation class	3 acc. VDE 0580
Protection class	IP 40
Cycling rate	ca. 1000/min
Electrical control	with SPS possible
Response times	Measurement at the valve outlet, at 20°C and 6 bar Open (Pressure rise 0 to 90%) ca. 14 ms (Standard) ca. 30 ms (EEx ia version) Close (Pressure rise 100 to 10%) ca. 18 ms (Standard) ca. 42 ms (EEx ia version)

Materials



Ordering chart standard version

All valves with rectangular plug, mounting screws and flange seal; without plug connection (see Accessories)

Circuit function	Orifice [mm]	Qn value 1-2 air [l/min] ¹⁾	Qn value 2-3 air [l/min] ¹⁾	Pressure range ²⁾ [bar]	Manual override	Port connection	Voltage [V]	Nominal power [W]	Item no.
C  3/2-way valve NC	0.6	7.0	8.5	0-7	with	Bürkert flange	24	1	130167
		6.0	7.5			lateral flange			133126
	0.6	7.0	8.5	0-7	without	Bürkert flange	24	1	132387
D  3/2-way valve NO	0.6	7.0	8.5	0-7	with	Bürkert flange	24	1	132394
		6.0	7.5			lateral flange			133129
	0.6	8.5	8.5	0-7	without	Bürkert flange	24	1	132392

¹⁾ Qn value air [l/min]: measurement with +20°C, 6 bar pressure on the valve input and 1 bar pressure differential

²⁾ Pressure values [bar]: measured as overpressure to the atmospheric pressure

Mounting screws for Bürkert flange: M1.6x5; for **lateral flange:** M1.6x20

Circuit function A and B on request

Ordering chart Ex ia version

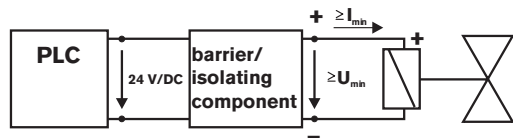
Approval acc. II 2G EEx ia IIC T5 T6 PTB01 ATEX 2173

All valves with rectangular plug, mounting screws and flange seal; without plug connection (see Accessories)

Circuit function	Orifice [mm]	QnN value 1-2 air [l/min]	QnN value 2-3 air [l/min]	Pressure range [bar]	Manual override	Port connection	Voltage [V]	Nominal power [W]	Item no.
<p>C</p> <p>3/2-way valve NC</p>	0.4	4.0	5.0	0-7	with	Bürkert flange	24	0.4	139409

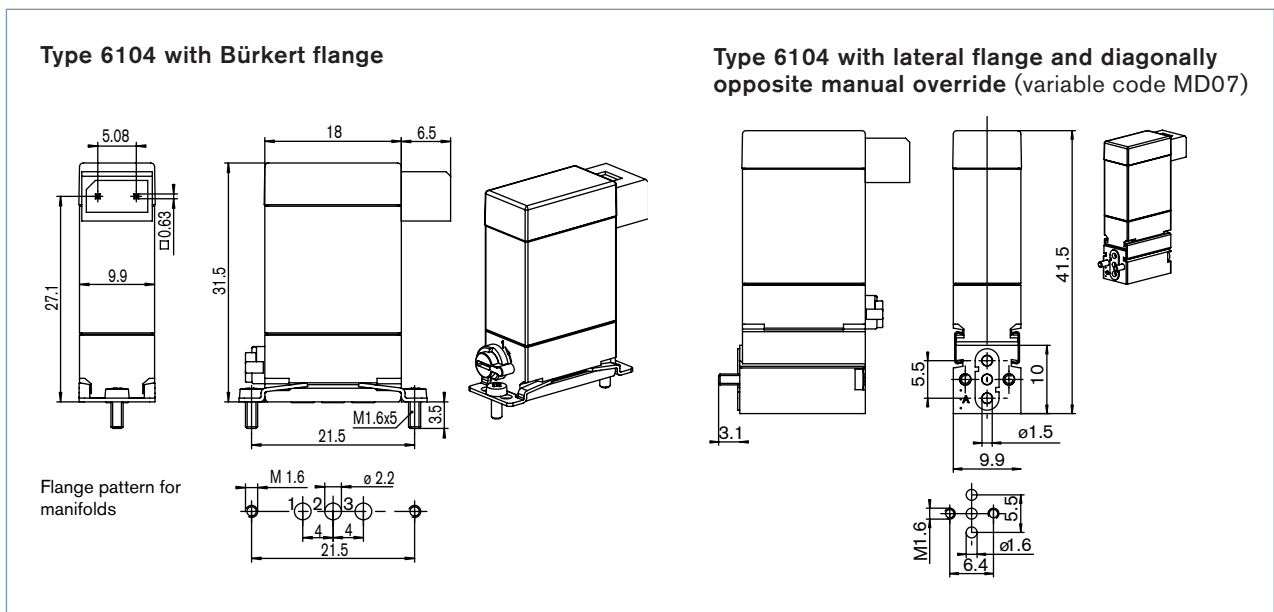
Mounting screws for Bürkert flange: M1.6x5

Electrical datas:



Functional values for valves switching function with +20°C to +55°C	Permitted maximum values/value pairs after operating instruction (TS)
Minimum holding current: 29mA Nominal resistant of the coil: 321Ω ±6%	U _i 35V I _i 0.9A P _i 0.7W (with block assembly, max. +40°C) 0.7W (with single valve, max. +55°C) 0.8W (with single valve, max. +50°C)

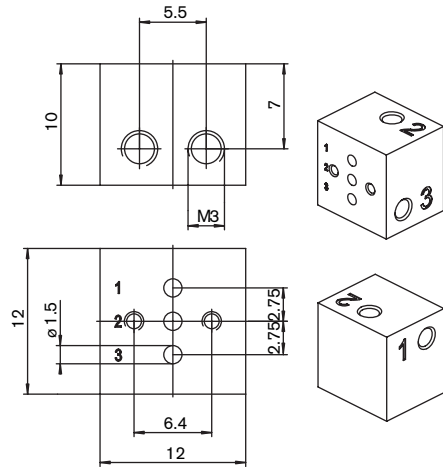
Dimensions [mm]



Dimensions manifolds [mm]

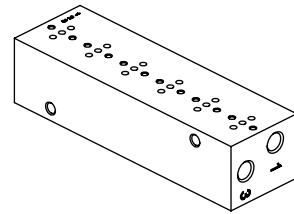
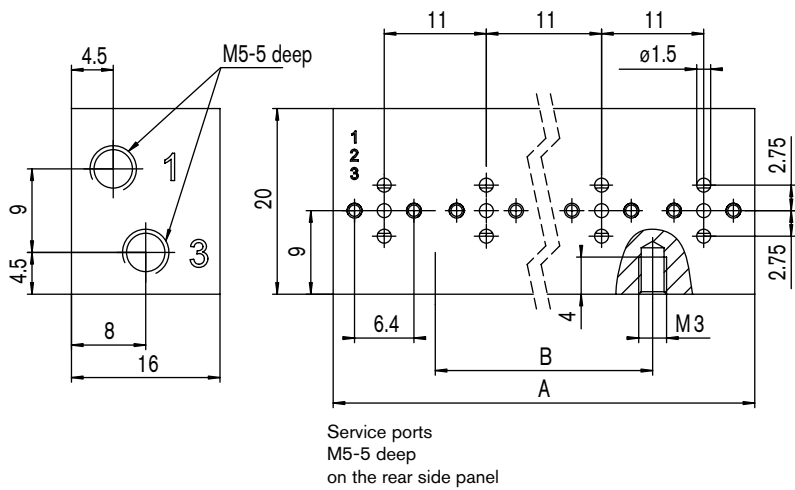
Single manifold for lateral flange sideways

Material: Aluminium



Multiple manifolds for lateral flange

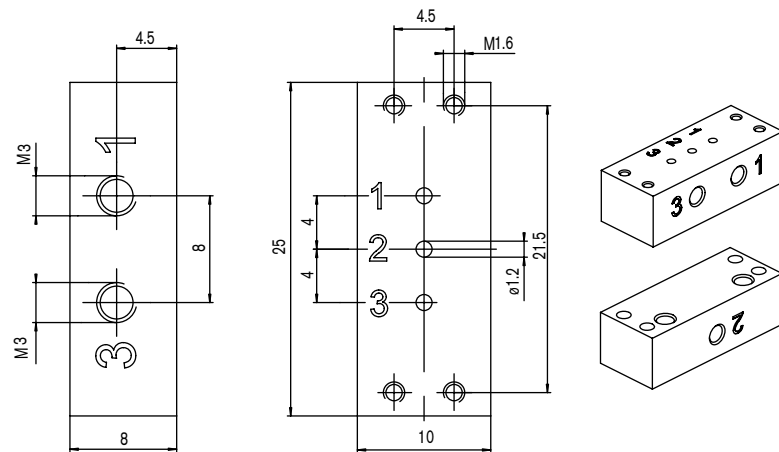
Material: Aluminium



No. of valve modules	A	B
2 valves	22	-
4 valves	44	22
6 valves	66	44

Single manifolds for Bürkert flange

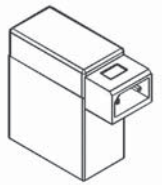
Material: Aluminium



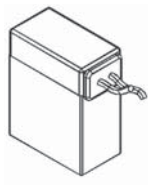
Dimensions manifolds [mm]

Accessory	Characteristics	Item no.
Manifold single	for Bürkert flange under, M3	639873
Manifold single	for lateral flange, M3	639234
Manifold 2 valves	for lateral flange, M5	641915
Manifold 4 valves	for lateral flange, M5	641916
Manifold 6 valves	for lateral flange, M5	639235
Blanking plate set	for multiple manifolds angle flange	645513
Threaded tube spigot	straight, M3, for 4/2 mm tube	782534
Rectangular cable plug	with 3 m cable	133486
Rectangular cable plug	with 300 mm flying leads	644068
Rectangular cable plug	with 2 single contacts	644067

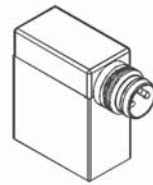
Options for the electrical connection, rectangular plug as standard, other connections on request



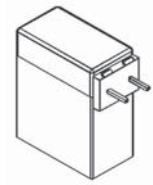
Rectangular plug
Raster 5.08 mm



2 Flying leads
0.2 mm², 300 mm long



Circular connector
M8x1, 3-pins



Connector
Raster 5.08 mm (e.g. for printed board mounting)

To find your nearest Bürkert facility, click on the orange box →

www.burkert.com

In case of special application conditions,
please consult for advice.

We reserve the right to make technical
changes without notice.

0705/3_EU-en_00891741