



Plunger valve, 2/2 way, direct-acting

- Media-separated plunger valves up to DN 12
- Suitable for high and low temperature ranges (-200 °C...+180 °C)
- Energy-saving double coil technology with “Kick and Drop” variant

Product variants described in the data sheet may differ from the product presentation and description.

Can be combined with



Type 2518
Cable Plug
DIN EN 175301 - 803 -
Form A

Type description

The valve 6026 is a direct-acting, media-separated 2/2 way plunger valve. The thermal and hermetic isolation of the coil and body by means of stainless steel bellows allows both extreme medium temperatures as well as aggressive media. This design avoids the build-up of condensation between the fluid part and coil or an unacceptable heating up or freezing of the coil. The coils are moulded with chemically resistant epoxy. The valve is therefore particularly suitable for applications with critical media. The use of highly resistant body and seal materials such as stainless steel and PTFE make the valve suitable for critical chemical applications. The valve is supplied with a coil equipped with “Kick and Drop” (KD) electronics featuring double coil technology. In combination with a plug to DIN EN 175301 - 803 Form A, the valves satisfy degree of protection IP65.

Table of contents

1. General technical data	3
2. Circuit functions	3
3. Dimensions	4
4. Performance specifications	5
4.1. Power consumption.....	5
5. Ordering information	5
5.1. Bürkert eShop – Easy ordering and quick delivery.....	5
5.2. Bürkert product filter.....	5
5.3. Ordering chart.....	6
5.4. Ordering chart accessories.....	7
Cable plug Type 2518, Form A according to DIN EN 175301 - 803	7

1. General technical data

Product properties	
Dimensions	Detailed information can be found in chapter "3. Dimensions" on page 4.
Materials	
Seal	PTFE
Body	Brass with stainless steel seat 1.4581 Stainless steel with stainless steel seat 1.4581
Metal bellows	Stainless steel 1.4541
Weight	1.1 kg
Performance data	
Duty cycle	Continuous operation 100 % ED Intermittent operation 50 % ED max. 6 switchings/minute ^{2.)}
Electrical data	
Operating voltage	24 UC ^{1.)} 110...120 V/50...60 Hz 230...240 V/50...60 Hz
Voltage tolerance	Max. ± 10 %
Power consumption	85/8 W
Medium data	
Medium temperature	-200 °C...+180 °C
Operating medium	Neutral gases and fluidics
Viscosity	Ca. 21 mm ² /s
Approvals and certificates	
Protection class	IP65 with cable plug
Process/Port connection & communication	
Electrical connection	Tag connector acc. to DIN EN 175 301 - 803 Form A (see "5.4. Ordering chart accessories" on page 7)
Environment and installation	
Installation position	As required, preferably with actuator upright
Ambient temperature (max.)	+55 °C

1.) DC and AC (50...60 Hz)

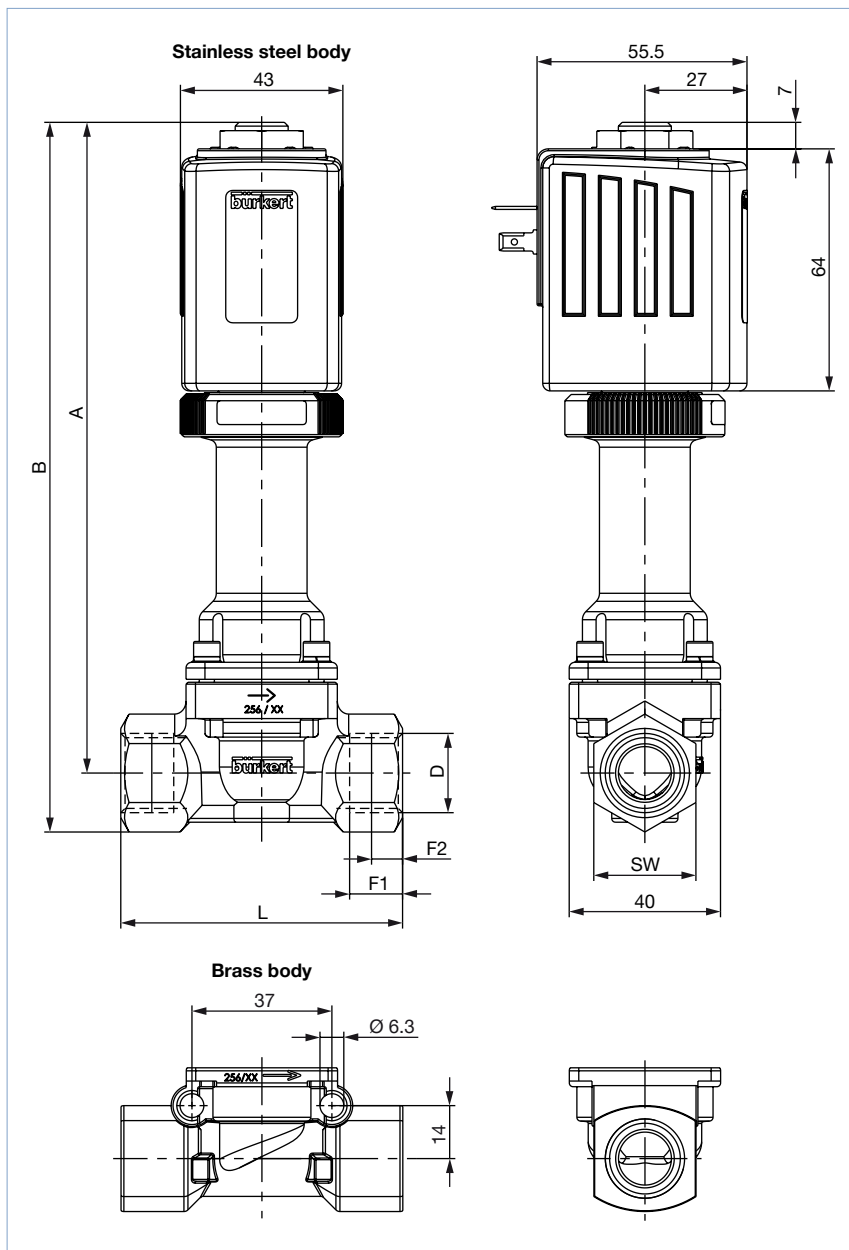
2.) For further information, refer to the operating instructions, see **Type 6026** ▶.

2. Circuit functions

Circuit functions	Description
	Type: A, solenoid valve 2/2 way Direct-acting Normally closed

3. Dimensions

Note:
Dimensions in mm



LTA	Material	A	B	D	F1	F2	L	SW
GM82	MS	173	184	G ¼	12	–	56	22
NM82	MS	173	184	NPT ¼	10	5.8	56	22
GM83	MS	173	184	G ⅜	12	–	56	22
NM83	MS	173	184	NPT ⅜	10.3	6	56	22
GM84	MS	172	186	G ½	14	–	74.5	27
NM84	MS	172	186	NPT ½	13.7	8.2	74.5	27
GM82	VA	172	184.7	G ¼	12	–	74.5	27
NM82	VA	172	184.7	NPT ¼	10	5.8	74.5	27
GM84	VA	172	187.6	G ½	14	–	74.5	27
NM84	VA	172	187.6	NPT ½	13.5	8.1	74.5	27

DTS 1000395475 EN Version: G Status: RL (released | freigegeben | validé) printed: 18.06.2020

4. Performance specifications

4.1. Power consumption

Orifice [mm]	K _v value water [m ³ /h] ^{1.)}	Pressure range [bar] ^{2.)}	Power consumption		Response times ^{3.)}	
			Inrush [W]	Hold [W]	Opening [ms]	Closing [ms]
3.0	0.25	0...10	85	8	100...200	300...500
4.0	0.50	0...10				
5.0	0.65	0...10				
6.0	0.80	0...10				
8.0	0.90	0...10				
10.0	1.50	0...5				
12.0	1.80	0...3				

1.) Measurement at the valve outlet with 1 bar and +20 °C and free outlet

2.) Overpressure to atmospheric pressure

3.) Measured at valve outlet with 6 bar and +20 °C. Opening: pressure build-up 0...90 %, closing: pressure reduction 100...10 %

5. Ordering information

5.1. Bürkert eShop – Easy ordering and quick delivery



Bürkert eShop – Easy ordering and fast delivery

You want to find your desired Bürkert product or spare part quickly and order directly? Our online shop is available for you 24/7. Sign up and enjoy all the benefits.

[Order online now](#)

5.2. Bürkert product filter



Bürkert product filter – Get quickly to the right product

You want to select products comfortably based on your technical requirements? Use the Bürkert product filter and find suitable articles for your application quickly and easily.

[Try out our product filter](#)

5.3. Ordering chart

Note:

Further versions on request

Circuit function	Orifice	Port connection	Material	K _v value	Pressure range	Article no. per voltage/frequency		
	[mm]					[m ³ /h]	[bar]	24 UC
A, solenoid valve 2/2 way Direct-acting Normally closed 	3.0	G ¼	MS	0.25	0...10 bar	352556	352557	352558
	3.0	NPT ¼	MS	0.25	0...10 bar	352582	352583	352584
	3.0	G ⅜	MS	0.25	0...10 bar	357454	357455	357456
	3.0	G ¼	VA	0.25	0...10 bar	352541	352542	352543
	4.0	G ¼	MS	0.5	0...10 bar	352559	352561	352562
	4.0	NPT ¼	MS	0.5	0...10 bar	352586	352587	352588
	4.0	G ⅜	MS	0.5	0...10 bar	357457	357458	357459
	4.0	NPT ⅜	MS	0.5	0...10 bar	357476	357477	357478
	4.0	G ¼	VA	0.5	0...10 bar	352545	352546	352547
	4.0	NPT ¼	VA	0.5	0...10 bar	352573	352574	352575
	4.0	G ½	VA	0.5	0...10 bar	352595	352596	352598
	5.0	G ¼	MS	0.65	0...10 bar	352563	352564	352565
	5.0	NPT ¼	MS	0.65	0...10 bar	352589	352590	352591
	5.0	G ½	MS	0.65	0...10 bar	352618	352619	352620
	5.0	G ⅜	MS	0.65	0...10 bar	357460	357461	357462
	5.0	NPT ⅜	MS	0.65	0...10 bar	357479	357480	357481
	5.0	G ½	VA	0.65	0...10 bar	352599	352600	352601
	6.0	G ¼	MS	0.8	0...10 bar	352566	352568	352569
	6.0	NPT ¼	MS	0.8	0...10 bar	352592	352593	352594
	6.0	G ½	MS	0.8	0...10 bar	352621	352622	352623
6.0	NPT ½	MS	0.8	0...10 bar	352646	352648	352649	
A, solenoid valve 2/2 way Direct-acting Normally closed 	6.0	G ⅜	MS	0.8	0...10 bar	357463	357464	357465
	6.0	NPT ⅜	MS	0.8	0...10 bar	357482	357483	357484
	6.0	G ¼	VA	0.8	0...10 bar	352553	352554	352555
	6.0	NPT ¼	VA	0.8	0...10 bar	352579	352580	352581
	6.0	G ½	VA	0.8	0...10 bar	352602	352603	352604
	6.0	NPT ½	VA	0.8	0...10 bar	352633	352634	352636
	8.0	G ½	MS	0.9	0...10 bar	352624	352625	352626
	8.0	NPT ½	MS	0.9	0...10 bar	352650	352651	352652
	8.0	G ⅜	MS	0.9	0...10 bar	357466	357467	357468
	8.0	G ½	VA	0.9	0...10 bar	352605	352606	352607
	8.0	NPT ½	VA	0.9	0...10 bar	352637	352638	352639
	10.0	G ½	MS	1.5	0...5 bar	352627	352628	352629
	10.0	NPT ½	MS	1.5	0...5 bar	352653	352654	352655
	10.0	G ½	VA	1.5	0...5 bar	352609	352610	352611
	10.0	NPT ½	VA	1.5	0...5 bar	352640	352641	352642
	12.0	G ½	MS	1.8	0...3 bar	352630	352631	352632
	12.0	NPT ½	MS	1.8	0...3 bar	352657	352658	352659
	12.0	G ½	VA	1.8	0...3 bar	352612	352613	352614
	12.0	NPT ½	VA	1.8	0...3 bar	352643	352644	352645


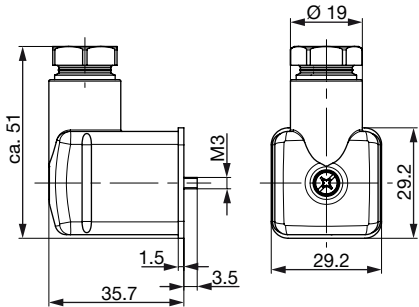
DTS 1000395475 EN Version: G Status: RL (released | freigegeben | valide) printed: 18.06.2020

5.4. Ordering chart accessories

Cable plug Type 2518, Form A according to DIN EN 175301 - 803

Note:

Further versions see data sheet [Type 2518](#) ▶.

Cable plug	Dimensions	Version	Voltage	Article no.
		Without circuitry (AC/DC)	0...250 V AC/DC	314802
		With LED (AC/DC)	12...24 V AC/DC	314812
		With LED and varistor (AC/DC)	12...24 V AC/DC	314820
		With rectifier, LED and varistor	12...24 V AC/DC	314816

Description	Article no.
Mounting set VA (Mounting bracket with two screws)	260250

Bürkert – Close to You

For up-to-date addresses
please visit us at
www.burkert.com

DTS 1000395475 EN Version: G Status: RL (released | freigegeben | validé) printed: 18.06.2020

