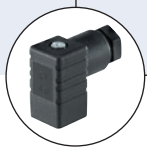




Type 6011 can be combined with...



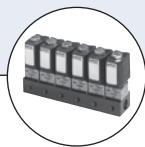
Type 2516

Cable plug to
DIN EN 175301-803*
form C



Type 2507

Cable plug industrial
standard form B



Type 6012

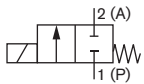
Multiple manifold
(e.g. 6-fold)

Direct-acting 2/2 way plunger valve

- Direct-acting and compact small-format valve with diameter of up to DN 2.4
- Vibration-proof, bolted coil system
- Simple and quick flange or manifold installation
- Quick coupling (push-in fitting) for plug-in hose connections

Valve 6011 is a direct-acting plunger valve. The stopper and plunger guide tube are welded together to enhance pressure resistance and leak-tightness. Various seal material combinations are available depending on the application. A Bürkert-specific flange design (SFB) enables space-saving arrangement of valves on a manifold. Push-in fittings can be selected for flexible hose connection. The coils are moulded with polyamide. In combination with a plug in accordance with DIN EN 175301-803 Form B or C, the valves satisfy protection class IP65.

Circuit function A



2/2 way direct-acting
solenoid valve,
normally closed

Technical data	
Body material	
Type 6011	brass, polyamide (PA), stainless steel 1.4305
Type 6011 A	brass, stainless steel 1.4305
Sealing material	FKM
Analytical version (Typ 6011 A)	version free from silicones, oil and grease leaktightness better than 10^{-4} mbar l/s
Limit value for remainder carbon (Type 6011 A)	<0,2 mg/dm ²
Medium	
Type 6011	<ul style="list-style-type: none"> ▪ technical vacuum ▪ neutral gases and fluids (e.g. compressed air, water hydraulic oil ▪ neutral/aggressive media that do not attack the body and seal materials
Type 6011 A	
Medium temperature	-10 ... +100 °C
Ambient temperature	max. +55 °C
Viscosity	max. 21 mm ² /s
Port connection	
Type 6011	M5, G1/8, sub-base
Type 6011 A	G1/8, sub-base
Operating voltage	
Type 6011	24 V DC, 24 V/50 Hz, 110 / 230 V / 50 Hz
Type 6011 A	24 V DC, 230 V / 50 Hz
Voltage tolerance	± 10%
Duty cycle/single valve	
when mounted as a block on a manifold	100 % continuous rating Intermittent operation 60 % (30 min) or with 2 W coil (on request)
Electrical connection	<ul style="list-style-type: none"> ▪ to DIN EN 175301-803* Form C for cable plug Type 2516 (see Ordering chart for Accessories) ▪ Form B (industrial standard) for Type 2507 (see Ordering chart for Accessories)
Installation	as required, preferably with actuator upright
Assembly	no oil, grease or silicones to be used as installation aids
Mass	ca. 125 g
Protection class	IP65 with cable plug

* previously DIN 43650

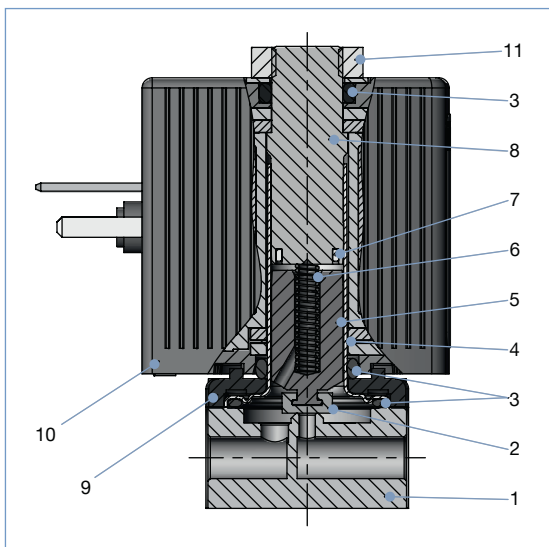
Response times

Orifice [mm]	K _v value water [m ³ /h]	Pressure range		Coil power [W]	Power consumption			Response times		
		for AC [bar]	for DC [bar]		Inrush AC [VA]	Hold AC (hot coil) [VA]	DC (hot/cold coil) [W]	Opening [ms]	Closing [ms]	
1.2	0.045	0-21	0-12	4 W	9	6	4	4/5.5	7-10	10-15
1.6	0.06	0-12	0-6	4 W	9	6	4	4/5.5	7-10	10-15
2.0	0.11	0-8	0-4.5	4 W	9	6	4	4/5.5	7-12	7-12
2.4	0.13	0-6	0-3	4 W	9	6	4	4/5.5	7-12	7-12

¹⁾ Pressure data [bar]: Overpressure with respect to atmospheric pressure

- k_v value [m³/h]: Flow rate value for water, measured at +20 °C and 1 bar¹⁾ pressure differential over a fully opened valve.
- Response times [ms]: measured at valve outlet at 6 bar¹⁾ and +20 °C
Opening: pressure build-up 0 ... 90 %, closing: pressure relief 100 ... 10 %

Material

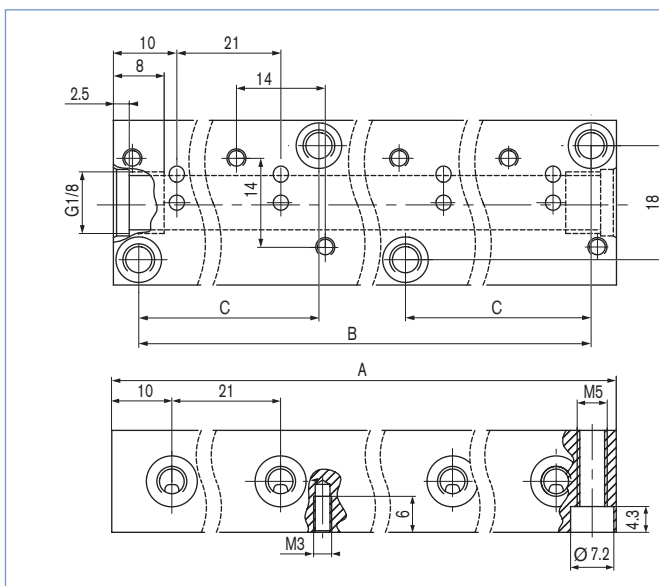


1	Body	Brass, stainless steel 1.4305 PA (polyamide)
2	Armature seal	FKM
3	O-ring	FKM
4	Guide tube	Stainless steel 1.4303
5	Core	Stainless steel 1.4105
6	Spring	Stainless steel 1.4310
7	Shading ring	Copper, Silver
8	Stopper	Stainless steel 1.4105
9	Sub-base	Thick-film passivated (brass version) nickel-plated surface (stainless steel version)
10	Coil DIN EN 175301-803* form C Form B (industr. standard)	PA Epoxy
11	Locknut	9SMnPb28K Thick-film passivated

* previously DIN 43650

Dimensions [mm]

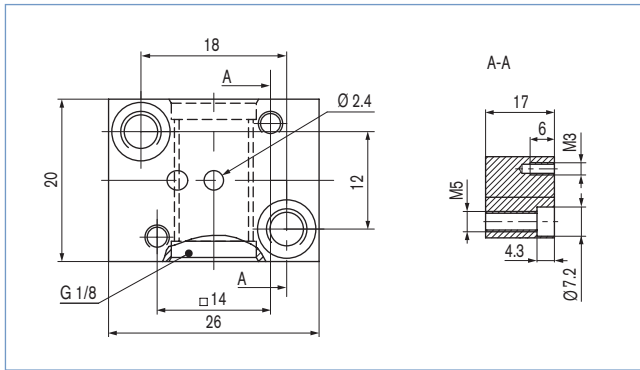
Multiple manifold



No. of valves	A [mm]	B [mm]	C [mm]
1	20	12	-
2	41	33	-
3	62	54	-
4	83	75	-
5	104	96	-
6	125	117	-
7	146	138	-
8	167	159	54
9	188	180	54
10	209	201	75
11	230	222	75
12	251	243	96

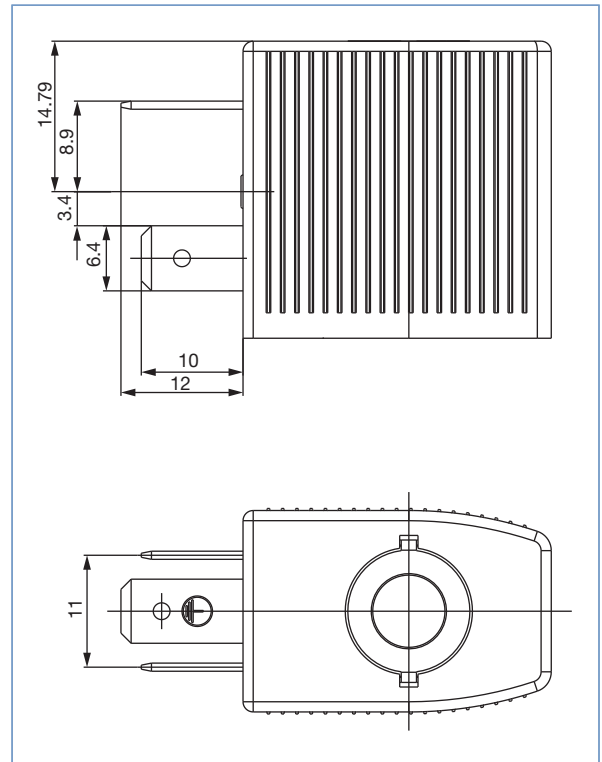
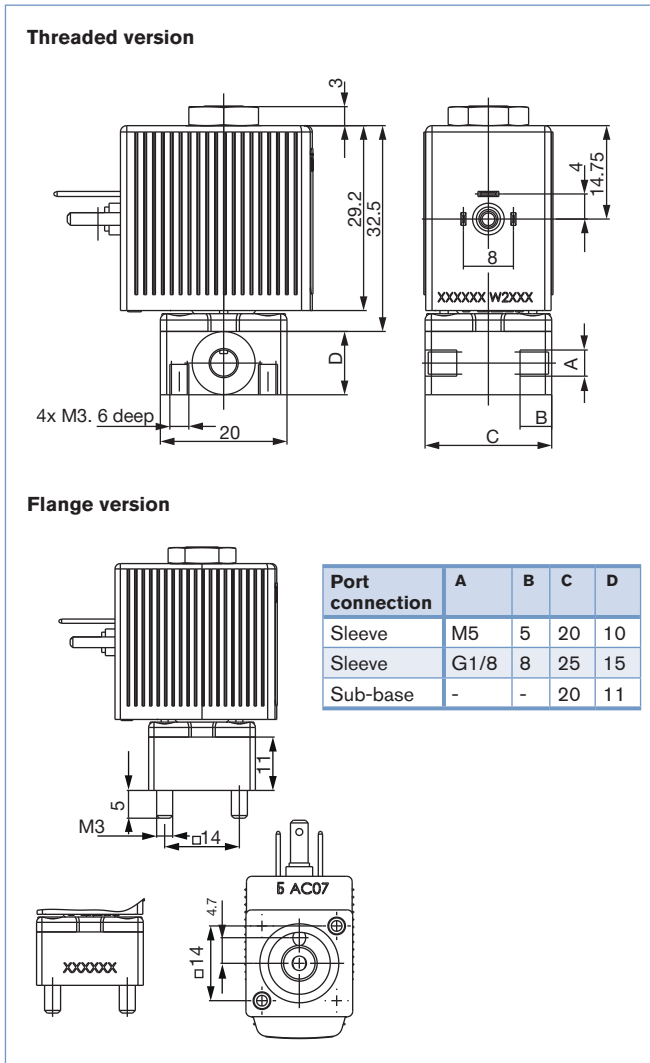
Dimensions [mm]

Single manifold



Type 6011 / 6011 A
Version with electrical coil connection
to DIN EN 175301-803* form C
(cable plug type 2516)

Type 6011 / 6011 A
Version with electrical coil connection
Form B industrial standard
(cable plug type 2507)



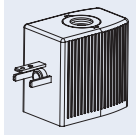
DTS 1000341808 EN Version: A Status: RL (released | freigegeben | validé) printed: 12.04.2019

* previously DIN 43650

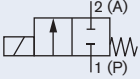
Ordering chart

Type 6011

Solenoid valve complete in ported or flanged version with electrical coil connection to DIN EN 175301-803* Form C for cable plug Type 2516



- All valves complete with coil and FKM seal material; without cable plug
- Other versions on request.

Circuit function	Orifice [mm]	Port connection	Kv value water [m ³ /h]	Pressure range [bar] ¹⁾	Voltage/Frequency [V/Hz]	Item no. Brass body	Item no. Stainless steel body		
A 	1.2	M5	0.045	0-12	24/DC	134 084	-		
				0-21	24/50	134 085	-		
				0-21	110/50	134 086	-		
				0-21	230/50	134 087	-		
	1.6	M5	0.06	0-6	24/DC	134 088	-		
				0-12	24/50	134 089	-		
				0-12	110/50	134 090	-		
				0-12	230/50	134 091	-		
				G1/8	0.06	0-6	24/DC	134 071	134 103
						0-12	24/50	134 092	134 104
						0-12	110/50	134 093	134 105
	2.0	G1/8	0.11	0-4.5	24/DC	134 095	134 107		
				0-8	24/50	134 096	134 108		
				0-8	110/50	134 097	134 109		
				0-8	230/50	134 098	134 110		
	2.4	G1/8	0.13	0-3	24/DC	134 099	134 111		
				0-6	24/50	134 100	134 112		
				0-6	110/50	134 101	134 113		
				0-6	230/50	134 102	134 114		
	1.2	sub-base	0.045	0-12	24/DC	134 115	-		
				0-21	24/50	134 116	-		
				0-21	110/50	134 117	-		
				0-21	230/50	134 118	-		
	1.6	sub-base	0.06	0-6	24/DC	134 119	134 131		
0-12				24/50	134 120	134 132			
0-12				110/50	134 121	134 133			
0-12				230/50	134 122	134 134			
2.0	sub-base	0.11	0-4.5	24/DC	134 123	134 135			
			0-8	24/50	134 124	134 136			
			0-8	110/50	134 125	134 137			
			0-8	230/50	134 126	134 138			
2.4	sub-base	0.13	0-3	24/DC	134 127	-			
			0-6	24/50	134 128	-			
			0-6	110/50	134 129	-			
			0-6	230/50	134 130	-			

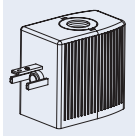
¹⁾ Pressure data [bar]: Overpressure with respect to atmospheric pressure

^{*)} previously DIN 43650

Ordering chart

Type 6011

Solenoid valve complete in ported or flanged version with electrical coil connection to DIN EN 175301-803* Form C for cable plug Type 2516



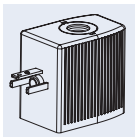
- All valves complete with coil and FKM seal material; without cable plug
- Other versions on request.

Circuit function	Orifice [mm]	Port connection	Kv value water [m ³ /h]	Pressure range [bar(1)]	Voltage/Frequency [V/Hz]	Item no. Brass body	Item no. Stainless steel body
A 2/2 way normally closed	1.6	NPT 1/8	0.07	0-6	24/DC	461 189	466 647
				0-12	120/60	466 788	466 646
				0-12	240/60	467 012	467 013
	2.0	NPT 1/8	0.12	0-4.5	24/DC	466 704	466 649
				0-8	120/60	466 686	466 648
				0-8	240/60	467 014	467 015
	2.4	NPT 1/8	0.15	0-3	24/DC	466 190	466 383
				0-6	120/60	466 711	466 650
				0-6	240/60	467 016	467 017
	1.2	manifold	0.053	0-12	24/DC	466 560	467 018
				0-21	120/60	467 019	467 020
				0-21	240/60	467 021	467 022
	1.6	manifold	0.07	0-6	24/DC	466 925	98109139
				0-12	120/60	467 023	98105400
				0-12	240/60	467 024	467 025
	2.0	manifold	0.12	0-4.5	24/DC	467 026	467 027
				0-8	120/60	467 028	466 613
				0-8	240/60	467 029	467 030
2.4	manifold	0.15	0-3	24/DC	467 031	467 032	
			0-6	120/60	467 033	467 034	
			0-6	240/60	467 035	466 779	

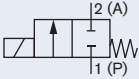
Ordering chart

Type 6011 A

Solenoid valve complete in threaded or flanged version with electrical coil connection to DIN EN 175301-803* Form C for cable plug Type 2516



- All valves complete with coil (4 W) and FKM seal material; without cable plug
- Other versions on request.

Circuit function	Orifice [mm]	Port connection	Kv value water [m ³ /h]	Pressure range [bar(1)]	Voltage/Frequency [V/Hz]	Item no. Brass body	Item no. Stainless steel body
A 	1.6	G1/8	0.06	0-6	24/DC	137 794	137 800
				0-12	230/50	137 795	137 801
	2.0	G1/8	0.11	0-4.5	24/DC	137 796	137 802
				0-8	230/50	137 797	137 803
	2.4	G1/8	0.13	0-3	24/DC	137 798	137 804
				0-6	230/50	137 799	137 805
	1.2	sub-base	0.045	0-12	24/DC	137 806	137 812
				0-21	230/50	137 807	137 813
	1.6	sub-base	0.06	0-6	24/DC	137 808	137 814
				0-12	230/50	137 809	137 815
	2.0	sub-base	0.11	0-4.5	24/DC	137 810	137 816
				0-8	230/50	137 811	137 817

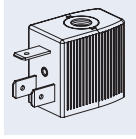
¹⁾ Pressure data [bar]: Overpressure with respect to atmospheric pressure

^{*)} previously DIN 43650

Ordering chart

Type 6011

Solenoid valve complete in ported or flanged version with electrical coil connection Form B (industrial standard) for cable plug Type 2507



- All valves complete with coil and FKM seal material; without cable plug
- Other versions on request.

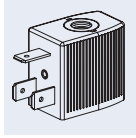
Circuit function	Orifice [mm]	Port connection	Kv value water [m ³ /h]	Pressure range [bar] ¹⁾	Voltage/Frequency [V/Hz]	Item no. Brass body	Item no. Stainless steel body
A 	1.2	M5	0.045	0-12	24/DC	163 491	-
				0-21	24/50	163 492	-
				0-21	110/50	163 493	-
				0-21	230/50	163 494	-
	1.6	M5	0.06	0-6	24/DC	163 495	-
				0-12	24/50	163 496	-
				0-12	110/50	163 497	-
				0-12	230/50	163 498	-
		G1/8	0.06	0-6	24/DC	163 499	163 509
				0-12	24/50	163 500	163 510
				0-12	110/50	163 501	163 511
				0-12	230/50	163 502	163 512
	2.0	G1/8	0.11	0-4.5	24/DC	163 503	163 513
				0-8	24/50	163 504	163 514
				0-8	110/50	163 505	163 515
				0-8	230/50	163 506	163 516
	2.4	G1/8	0.13	0-3	24/DC	161 193	163 517
				0-6	24/50	163 507	163 518
				0-6	110/50	163 508	163 519
				0-6	230/50	161 194	163 520
	1.2	sub-base	0.045	0-12	24/DC	163 521	-
				0-21	24/50	163 522	-
				0-21	110/50	163 523	-
				0-21	230/50	163 524	-
1.6	sub-base	0.06	0-6	24/DC	163 525	163 537	
			0-12	24/50	163 526	163 538	
			0-12	110/50	163 527	163 539	
			0-12	230/50	163 528	163 540	
2.0	sub-base	0.11	0-4.5	24/DC	163 529	163 541	
			0-8	24/50	163 530	163 542	
			0-8	110/50	163 531	163 543	
			0-8	230/50	163 532	163 544	
2.4	sub-base	0.13	0-3	24/DC	163 533	-	
			0-6	24/50	163 534	-	
			0-6	110/50	163 535	-	
			0-6	230/50	163 536	-	

¹⁾ Pressure data [bar]: Overpressure with respect to atmospheric pressure

Ordering chart

Type 6011

Solenoid valve complete in ported or flanged version with electrical coil connection Form B (industrial standard) for cable plug Type 2507



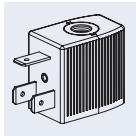
- All valves complete with coil and FKM seal material; without cable plug
- Other versions on request.

Circuit function	Orifice [mm]	Port connection	Kv value water [m ³ /h]	Pressure range [bar] ¹⁾	Voltage/Frequency [V/Hz]	Item no. Brass body	Item no. Stainless steel body
A 2/2 way normally closed	1.6	NPT 1/8	0.07	0-6	24/DC	461 467	461 779
				0-12	24/60	461 768	461 780
				0-12	120/60	461 769	461 781
				0-12	240/60	461 770	461 782
	2.0	NPT 1/8	0.12	0-4.5	24/DC	461 771	461 783
				0-8	24/60	461 772	461 784
				0-8	120/60	461 773	461 785
				0-8	240/60	461 774	461 786
	2.4	NPT 1/8	0.15	0-3	24/DC	461 775	461 787
				0-6	24/60	461 776	461 788
				0-6	120/60	461 777	461 789
				0-6	240/60	461 778	461 790
	1.2	manifold	0.053	0-12	24/DC	461 791	-
				0-21	24/60	461 792	-
				0-21	120/60	461 793	-
				0-21	240/60	461 794	-
	1.6	manifold	0.07	0-6	24/DC	461 795	-
				0-12	24/60	461 796	-
				0-12	120/60	461 797	-
				0-12	240/60	461 798	-
	2.0	manifold	0.12	0-4.5	24/DC	461 799	-
				0-8	24/60	461 800	-
				0-8	120/60	461 801	465 809
				0-8	240/60	461 802	-
2.4	manifold	0.15	0-3	24/DC	461 803	-	
			0-6	24/60	461 804	-	
			0-6	120/60	461 805	-	
			0-6	240/60	461 806	-	

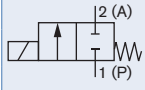
Ordering chart

Type 6011 A

Solenoid valve complete in threaded or flanged version with electrical coil connection Form B (industrial standard) for cable plug Type 2507



- All valves complete with coil (4 W) and FKM seal material; without cable plug
- Other versions on request.

Circuit function	Orifice [mm]	Port connection	Kv value water [m ³ /h]	Pressure range [bar] ¹⁾	Voltage/Frequency [V/Hz]	Item no. Brass body	Item no. Stainless steel body
A 	1.6	G1/8	0.06	0-6	24/DC	163 545	163 551
				0-12	230/50	163 546	163 552
	2.0	G1/8	0.11	0-4.5	24/DC	163 547	163 553
				0-8	230/50	163 548	163 554
	2.4	G1/8	0.13	0-3	24/DC	163 549	163 555
				0-6	230/50	163 550	163 556
	1.2	sub-base	0.045	0-12	24/DC	163 557	163 563
				0-21	230/50	163 558	163 564
	1.6	sub-base	0.06	0-6	24/DC	163 559	163 565
				0-12	230/50	163 560	163 566
	2.0	sub-base	0.11	0-4.5	24/DC	163 561	163 567
				0-8	230/50	163 562	163 568

¹⁾ Pressure data [bar]:
Overpressure with respect to atmospheric pressure

Ordering chart for accessories


Manifolds

Material	No. of valves	Item no.
Aluminium anodized	1	005 312
	2	005 355
	3	005 313
	4	005 314
	5	005 315
	6	005 316
	7	005 893
	8	005 166
	9	005 241
	10	005 819
	11	005 242
	12	005 222

Accessories for manifolds

Accessory	Features	Item no.
Blanking plug	with seal ring, G1/8	005 041
Cover plate	for unused valves	005 100


Cable plug type 2516 to DIN EN 175301-803* form C

	Circuitry	Voltage	Item no.
	None (standard)	0 - 250 V AC/DC	303 141
	with LED	12 - 24 V AC/DC	303 145
	with LED and varistor	12 - 24 V AC/DC	303 148
	with rectifier, LED and varistor	12 - 24 V AC/DC	303 142

- Supplied with cable plug; flat seal and fixing screw.
- Other versions of cable plug with circuitry acc. to DIN EN 175301-803* Form C as well as detailed technical data - see datasheet Type 2516

^{*)} previously DIN 43650

Cable plug type 2507 Form B (industrial standard)

	Circuitry	Voltage	Item no.
	None (standard)	2 - 250 V AC/DC	423 845
	with LED	24 V AC/DC	423 849
	with LED and freewheeling diode	12 - 24 V DC	423 851
	with rectifier, LED and varistor	12 - 24 V AC/DC	423 853

- Supplied with cable plug; flat seal and fixing screw.
- Other versions of cable plug with circuitry Form B (industrial standard) as well as detailed technical data - see datasheet Type 2507.

To find your nearest Burkert facility, click on the orange box →

www.burkert.com

In case of special application conditions,
please consult for advice.

Subject to alterations.
© Christian Bürkert GmbH & Co. KG

1703/8_EU-en_00891723