

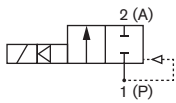
2/2-way Solenoid Valve for neutral media, Ex version

- General purpose range with servo-diaphragm
- Anti-waterhammer, low noise
- Push-over solenoid system
- Seal material NBR

The servo-assisted solenoid valve Type 5281 Ex with servo-diaphragm can be used in accordance with its protection type for the shutting off, dosing and filling of gaseous and liquid media in environments where there is a danger of explosion.

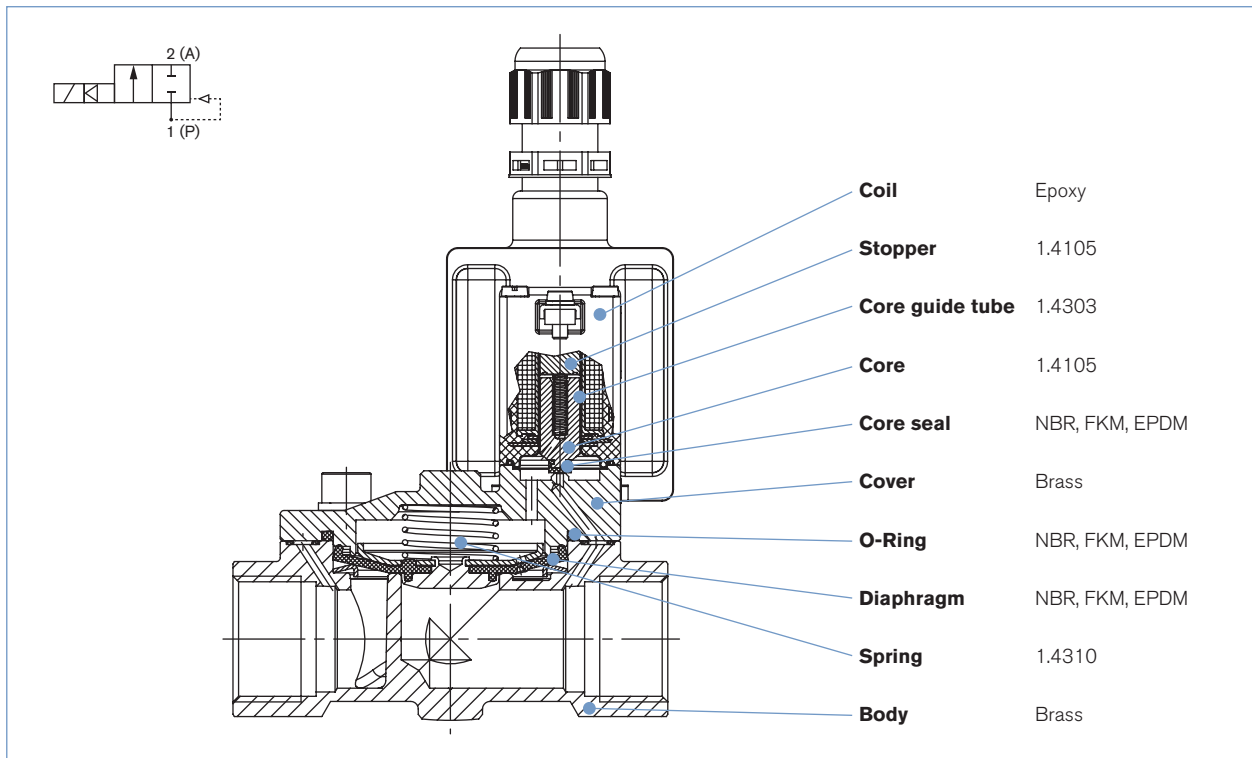
Circuit function A

2/2-way valve NC,
normally closed



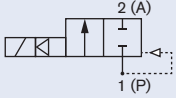
Technical data	
Orifice	DN13-65 mm
Body material	Brass
Valve internal material	Stainless steel, brass
Seal material	NBR (EPDM and FKM on request)
Media with NBR	Neutral media, compressed air, water
Media temperature with NBR	-10 °C to +60 °C
Ambient temperature	-10 °C to +60 °C
Voltage	024/UC 230/UC others on request
Voltage tolerance	±10%
Power consumption	7 W (operating temperature)
Duty cycle	100% continuous rating
Electrical connection	Screwed terminal box, with cable outlet upright
Protection class	IP 65
Type of protection	II 2G Ex e mb IIC T4 Gb, PTB 02 ATEX 2094 X Ex mb e II T4, IECEx PTB 09.0064 X
Installation	As required, preferably with actuator in upright position

Circuit function A



Ordering chart for valves (other versions on request)

Brass body with threaded ports and NBR seal

Circuit function	Port connection	Orifice [mm]	Kv value water [m ³ /h]	Pressure range [bar]	Per Item no. Voltage/Frequency [V/Hz] with terminal box	
					024/UC	230/UC
A 2/2-way, normally closed (NC) 	G 3/8	13	4,0	0,2 - 16	265 403	on request
	G 1/2	13	4,0	0,2 - 16	265 386	265 387
	G 3/4	20	5,0	0,2 - 8	265 930	265 399
	G 1	25	10,0	0,2 - 8	265 397	265 398
	G 1 1/4	32	20,0	0,2 - 8	on request	on request
	G 1 1/2	40	20,0	0,2 - 8	on request	on request
	G 2	50	40,0	0,2 - 8	on request	on request
	G 2 1/2	65	40,0	0,2 - 8	on request	on request

Further versions on request

Material
Seal material: EPDM, FKM

Electrical connection
Cable

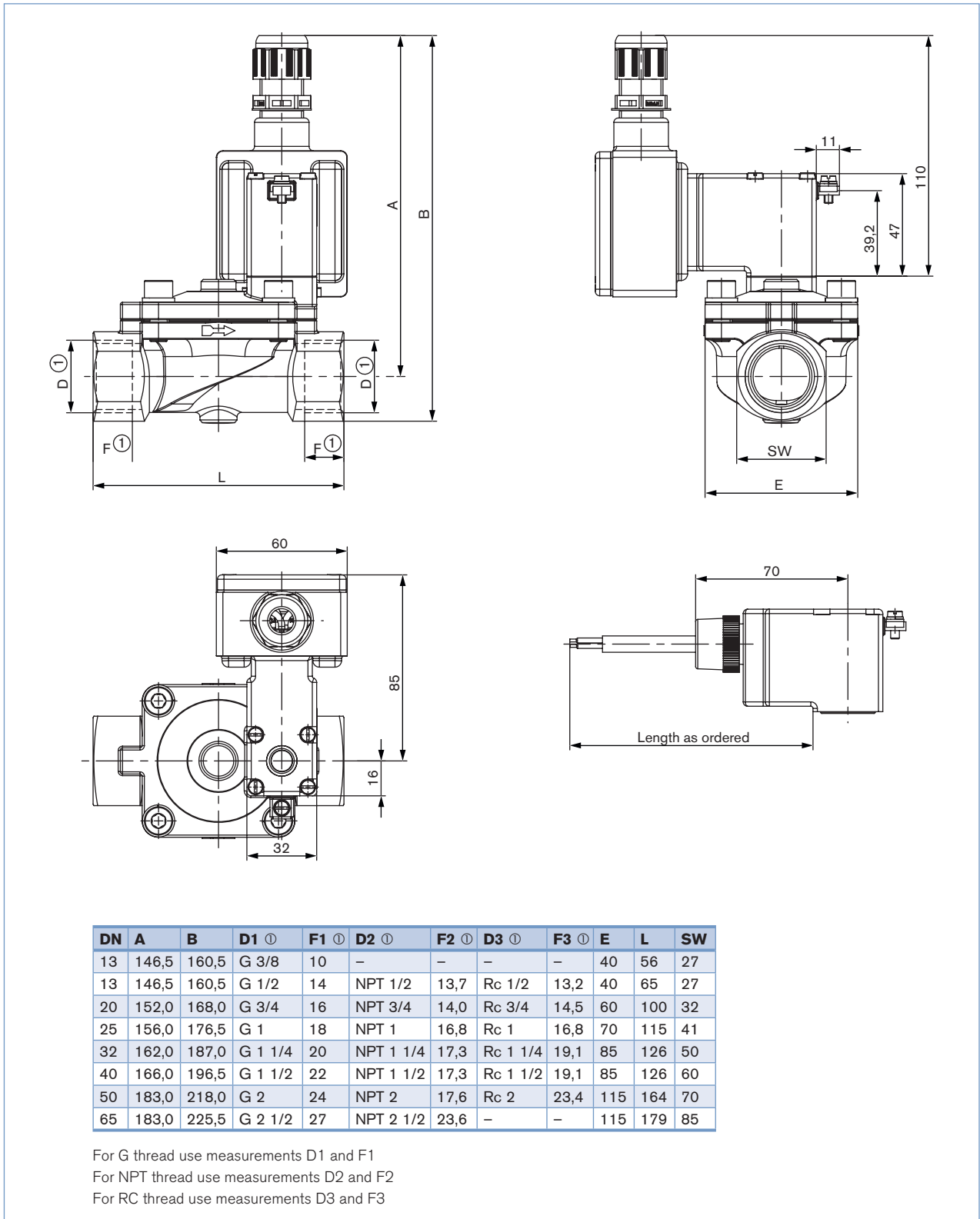
Port connection
Flange

Ordering chart accessories

Middle delay fuse for Types with 0641 coil 7 Watt

Voltage [V]	Nominal current [mA]	Item no.
24	800	153 737
110	160	153 720
230	80	153 745

Dimensions [mm]



To find your nearest Bürkert facility, click on the orange box →

www.burkert.com