



2/2 way Diaphragm Valve with plastic body, pneumatically operated, DN12 and 15

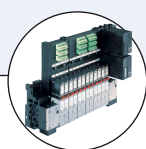
- Can be used for aggressive medium
- Body versions: threaded port and true union connection
- Compact design

Type 3230 can be combined with...



Type 6012/6014 P

Pilot valve



Type 8640/8644

Valve block

2/2 way plastic diaphragm valve, pilot operated with pneumatic actuator and spring return. Used for polluted medium in process and water technology.

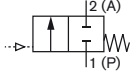
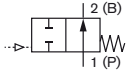
Special features (as standard)

- Stroke limitation
- Optical position indicator
- Polluted medium

Technical data	
Orifice	DN12 and 15
Body material	PVC-U, PP
Seal material	EPDM
Actuator material	PP, glass-fibre reinforced
Medium	Neutral or aggressive medium that do not attack the body and seal materials
Medium temperature	See chart next page
Ambient temperature	0 to + 60 °C
Control medium	Lubricated/unlubricated compressed air and other neutral medium (e.g., water)
Pilot pressure	Max. 7 bar, please see chart next page
Port connections	True union Ø16, threaded port G 3/8 True union Ø20 radially expandable
Installation	As required, preferably with actuator in upright position

Ordering chart for valves (other versions on request)

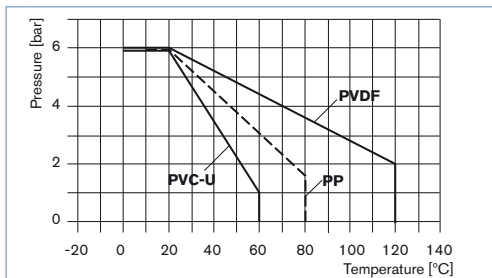
All valves with EPDM diaphragm

Control function	Orifice [mm]	K _v value water [m ³ /h]	Pressure range +20 °C [bar]	Body material	Port connections	Article no.
A 2/2 way valve NC 	12	2.8	0-6	PVC-U	True union Ø 16	784822
				PP	True union Ø 16	784828
	15	3.5	0-6	PVC-U	True union Ø 20	784826
				PP	True union Ø 20	784832
B 2/2 way valve NO 	12	2.8	0-6	PVC-U	True union Ø 16	784823
				PP	True union Ø 16	784829
	15	3.5	0-6	PVC-U	True union Ø 20	784827
				PP	True union Ø 20	784833

The permissible nominal pressure decreases with increasing medium temperature (please see Pressure-temperature chart below).

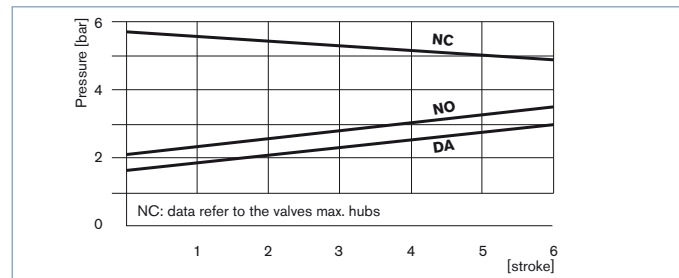
Pressure temperature chart

depending on the body materials



Pilot pressure chart

NC = Control function A NO = Control function B DA = Control function I



Ordering chart for accessories

3/2 way pilot valves with banjo bolts

Seal material valve FKM, seal material banjo bolt NBR

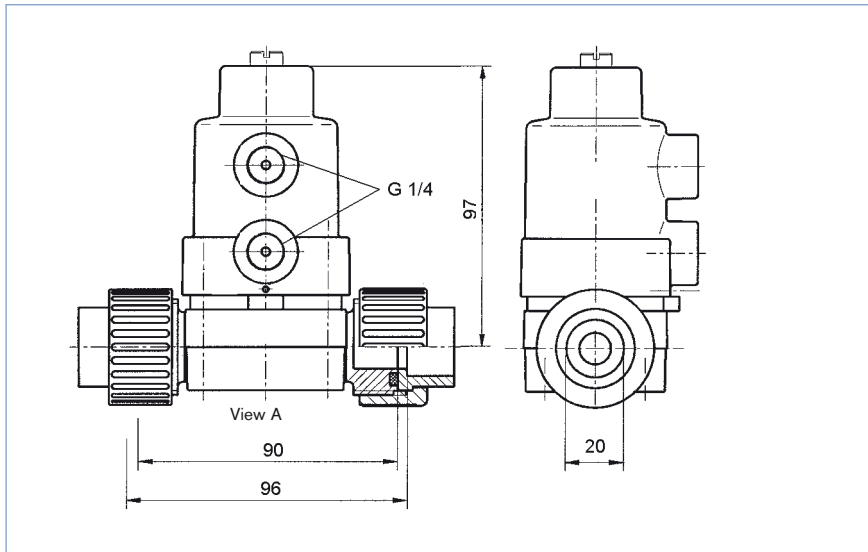
Type	Pressure inlet P (valve body)	Service port A (banjo bolt)	Orifice [mm]	Q _{air} value air [l/min]	Pressure range [bar]	Electrical coil connection Ind. Std.	Power consumption [W]	Article no. voltage/frequency [V/Hz]	
								024/DC	230/50
6012P	Tube fitting Ø6 mm	G ¼	1.2	48	0-10	Form B	4	552283	552286

Cable plug for Type 2507, Form B

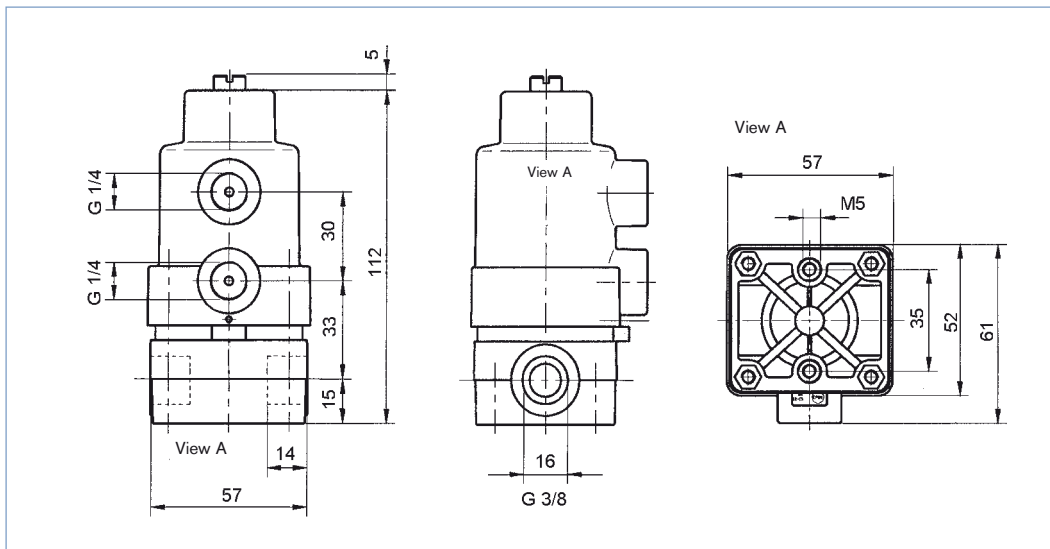
Type	Article no.
Type 2507, Form B Industrial standard, 0 to 250 V without circuitry (Type 6012 P)	423845

Dimensions [mm]

True union Ø 20



Threaded G 3/8, true union Ø 16



DTS 1000020595 EN Version: E Status: RL (released | freigegeben | valide) printed: 17.02.2020

To find your nearest Bürkert facility, click on the orange box →

www.burkert.com

In case of special application conditions, please consult for advice. Subject to alteration. © Christian Bürkert GmbH & Co. KG 1801/4_EU-en_00891918