



2/2 way Diaphragm Valve with plastic body, pneumatically operated, DN12 and 15

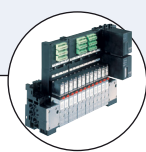
- Can be used for aggressive medium
- Body versions: threaded port and true union connection
- Compact design

Type 3230 can be combined with...



Type 6012/6014 P

Pilot valve



Type 8640/8644

Valve block

2/2 way plastic diaphragm valve, pilot operated with pneumatic actuator and spring return. Used for polluted medium in process and water technology.

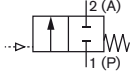
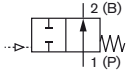
Special features (as standard)

- Stroke limitation
- Optical position indicator
- Polluted medium

| Technical data | |
|----------------------------|---|
| Orifice | DN12 and 15 |
| Body material | PVC-U, PP |
| Seal material | EPDM |
| Actuator material | PP, glass-fibre reinforced |
| Medium | Neutral or aggressive medium that do not attack the body and seal materials |
| Medium temperature | See chart next page |
| Ambient temperature | 0 to + 60 °C |
| Control medium | Lubricated/unlubricated compressed air and other neutral medium (e.g., water) |
| Pilot pressure | Max. 7 bar, please see chart next page |
| Port connections | True union Ø16, threaded port G 3/8 True union Ø20 radially expandable |
| Installation | As required, preferably with actuator in upright position |

Ordering chart for valves (other versions on request)

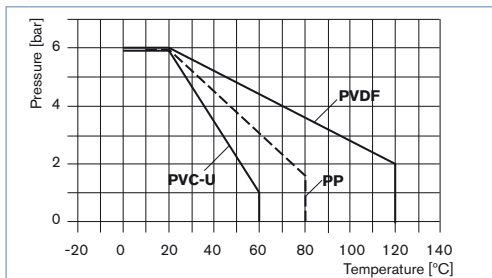
All valves with EPDM diaphragm

| Control function | Orifice [mm] | K _v value water [m ³ /h] | Pressure range +20 °C [bar] | Body material | Port connections | Article no. |
|--|--------------|--|-----------------------------|---------------|------------------|-------------|
| A 2/2 way valve NC  | 12 | 2.8 | 0-6 | PVC-U | True union Ø 16 | 784822 |
| | | | | PP | True union Ø 16 | 784828 |
| | 15 | 3.5 | 0-6 | PVC-U | True union Ø 20 | 784826 |
| | | | | PP | True union Ø 20 | 784832 |
| B 2/2 way valve NO  | 12 | 2.8 | 0-6 | PVC-U | True union Ø 16 | 784823 |
| | | | | PP | True union Ø 16 | 784829 |
| | 15 | 3.5 | 0-6 | PVC-U | True union Ø 20 | 784827 |
| | | | | PP | True union Ø 20 | 784833 |

The permissible nominal pressure decreases with increasing medium temperature (please see Pressure-temperature chart below).

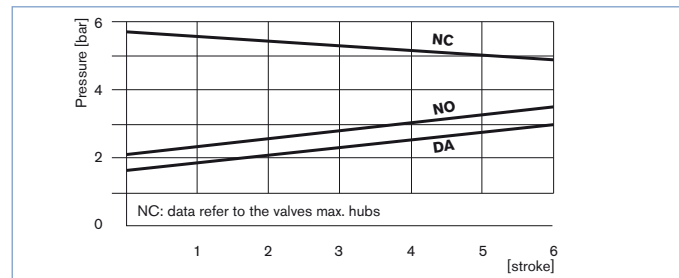
Pressure temperature chart

depending on the body materials



Pilot pressure chart

NC = Control function A NO = Control function B DA = Control function I



Ordering chart for accessories

3/2 way pilot valves with banjo bolts

Seal material valve FKM, seal material banjo bolt NBR

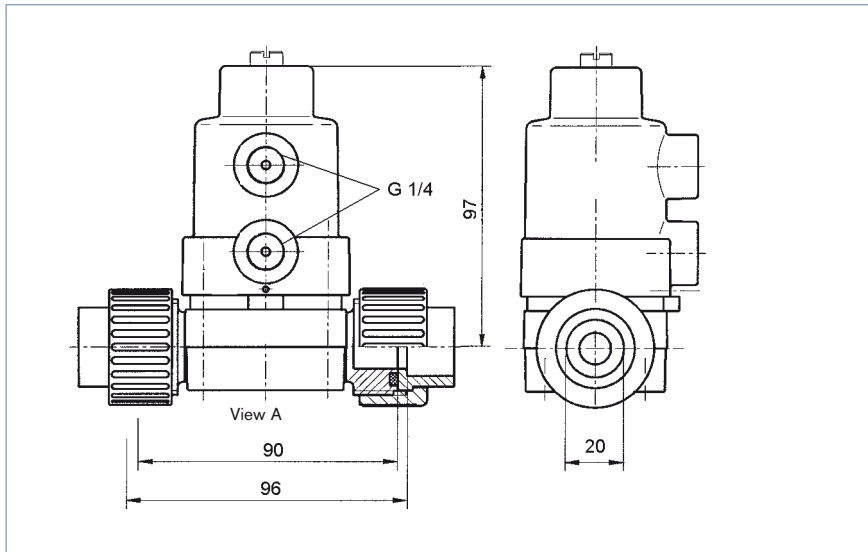
| Type | Pressure inlet P (valve body) | Service port A (banjo bolt) | Orifice [mm] | Q _{air} value air [l/min] | Pressure range [bar] | Electrical coil connection Ind. Std. | Power consumption [W] | Article no. voltage/frequency [V/Hz] | |
|-------|-------------------------------|-----------------------------|--------------|------------------------------------|----------------------|--------------------------------------|-----------------------|--------------------------------------|--------|
| | | | | | | | | 024/DC | 230/50 |
| 6012P | Tube fitting Ø6 mm | G ¼ | 1.2 | 48 | 0-10 | Form B | 4 | 552283 | 552286 |

Cable plug for Type 2507, Form B

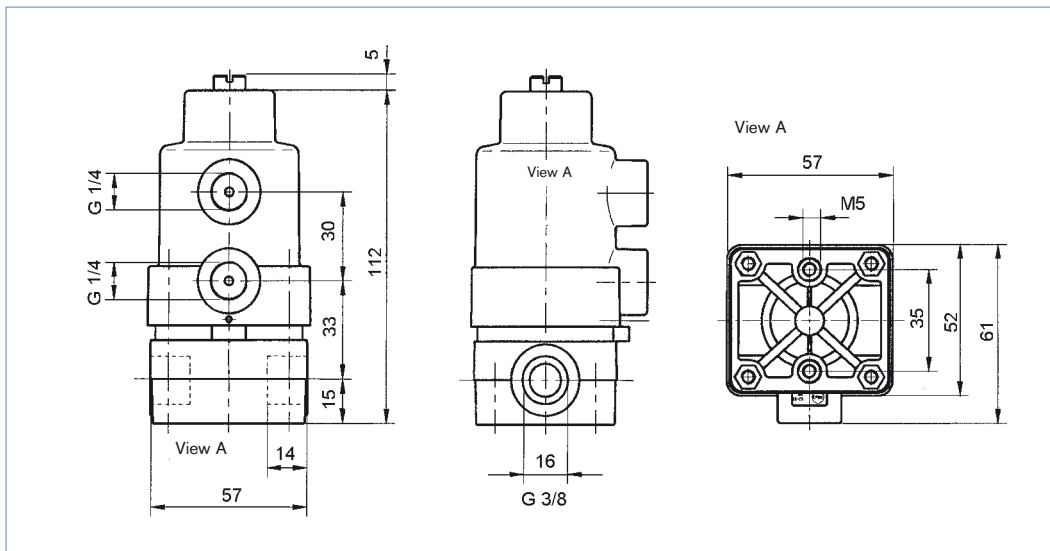
| Type | Article no. |
|---|-------------|
| Type 2507, Form B Industrial standard, 0 to 250 V without circuitry (Type 6012 P) | 423845 |

Dimensions [mm]

True union Ø 20



Threaded G 3/8, true union Ø 16



DTS 1000020595 EN Version: D Status: RL (released | freigegeben | valide) printed: 31.01.2018

To find your nearest Bürkert facility, click on the orange box →

www.burkert.com

In case of special application conditions, please consult for advice. Subject to alteration. © Christian Bürkert GmbH & Co. KG 1801/4_EU-en_00891918