



2/2 way ball valve 3-piece

- Stainless steel ball valve
- High flow values
- High medium pressures
- Long service life
- ISO 5211 piston valve



Product variants described in the data sheet may differ from the product presentation and description.

Can be combined with

	Type 2051 ▶ Pneumatic rotary actuator
	Type 2053 ▶ Pneumatic rotary actuator for the automation of ball and butterfly valves
	Type 3003 ▶ Electrical Rotary Actuator - On/Off and control
	Type 3005 ▶ Electric Rotary Actuator - On/Off and Control
	Type 3004 ▶ Explosion Proof Rotary Actuator - On/Off and control
	Type 1061 ▶ Accessory for pneumatic rotary actuators
	Type 8692 ▶ Digital electropneumatic Positioner for the integrated mounting on process control valves

Type description

2/2 way ball valve in stainless steel for separating medium flows. The ball valves can be connected via the mechanical interface acc. to ISO 5211 to a pneumatic (e.g. Type 2051, Type 2052, Type 2053) or electric rotary actuator (e.g. Type 3003, Type 3004, Type 3005). – low torques – high flow values – high medium pressure – long service life – maintenance friendly

Table of contents

1. General Technical Data	3
2. Materials	3
2.1. Chemical Resistance Chart – Bürkert resistApp.....	3
3. Dimensions	4
3.1. Threaded version	4
3.2. Weld end version	5
4. Performance specifications	6
4.1. Pressure temperature diagram.....	6
4.2. Torques	6
5. Product accessories	6
5.1. Wearing part set for ball valve Type 2654.....	6
5.2. Lever for ball valve Type 2654	6
6. Ordering information	7
6.1. Bürkert eShop – Easy ordering and quick delivery.....	7
6.2. Bürkert product filter.....	7
6.3. Ordering chart threaded version.....	7
6.4. Ordering chart weld end version.....	7
6.5. Ordering chart accessories.....	7
Wearing part set for ball valve Type 2654.....	7
Lever for ball valve Type 2654	8

1. General Technical Data

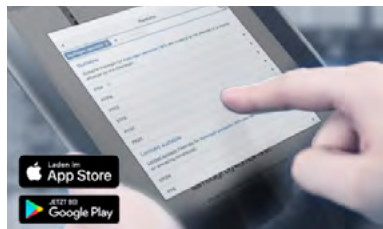
Note:

3-way ball valves with hand lever are included in data sheet TKU001 | 002 | 003 | 004. For further details see **Type TKU001 | 002 | 003 | 004** ▶.

Product properties	
Dimensions	Detailed information can be found in chapter "3. Dimensions" on page 4.
Materials	
Body	Stainless steel 1.4408
Ball	Stainless steel 1.4401
Selector shaft	Stainless steel 1.4401
Seal	PTFE (Ball seal) FKM (Selector shaft seal)
Nominal diameter/Orifice	DN 10...100
Medium data	
Medium	Stainless steel body: aggressive media which do not attack the body and seal material
Medium temperature	-10 °C...200 °C (see "4.1. Pressure temperature diagram" on page 6)
Medium pressure	Max. 63 bar (see "4.1. Pressure temperature diagram" on page 6)
Process/Port connection & communication	
Port connection	Rp 1/4" - Rp 2" Whitworth thread acc. DIN EN 10226-1 (old DIN 2999) Weld end (universal - applicable to different welding standards)
Approvals and Certificates	
ISO head flange	EN ISO 5211

2. Materials

2.1. Chemical Resistance Chart – Bürkert resistApp



Bürkert resistApp – Chemical Resistance Chart

You want to ensure the reliability and durability of the materials in your individual application case? Verify your combination of media and materials on our website or in our resistApp.

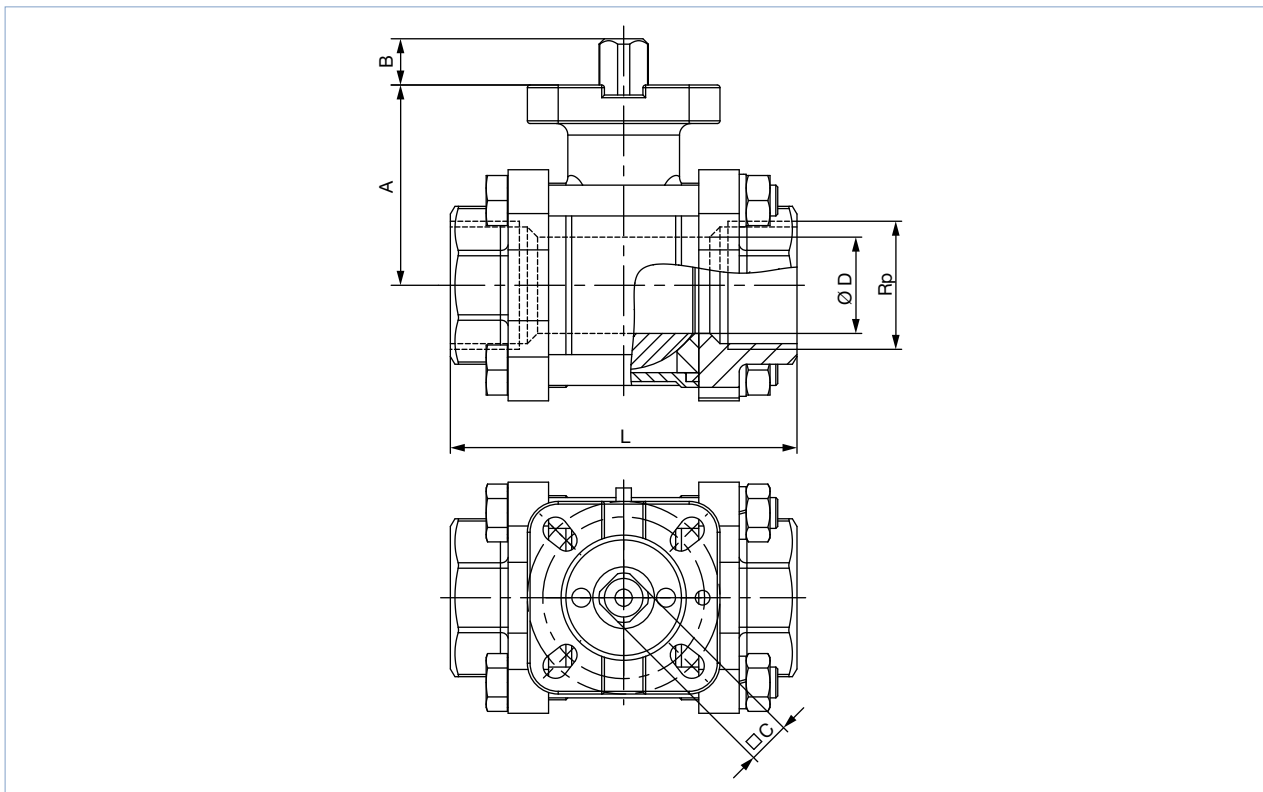
[Start Chemical Resistance Check](#)

3. Dimensions

3.1. Threaded version

Note:

- Dimensions in mm
- 3-way ball valves with hand lever are included in data sheet TKU001 | 002 | 003 | 004. For further details see **Type TKU001 | 002 | 003 | 004** ▶.

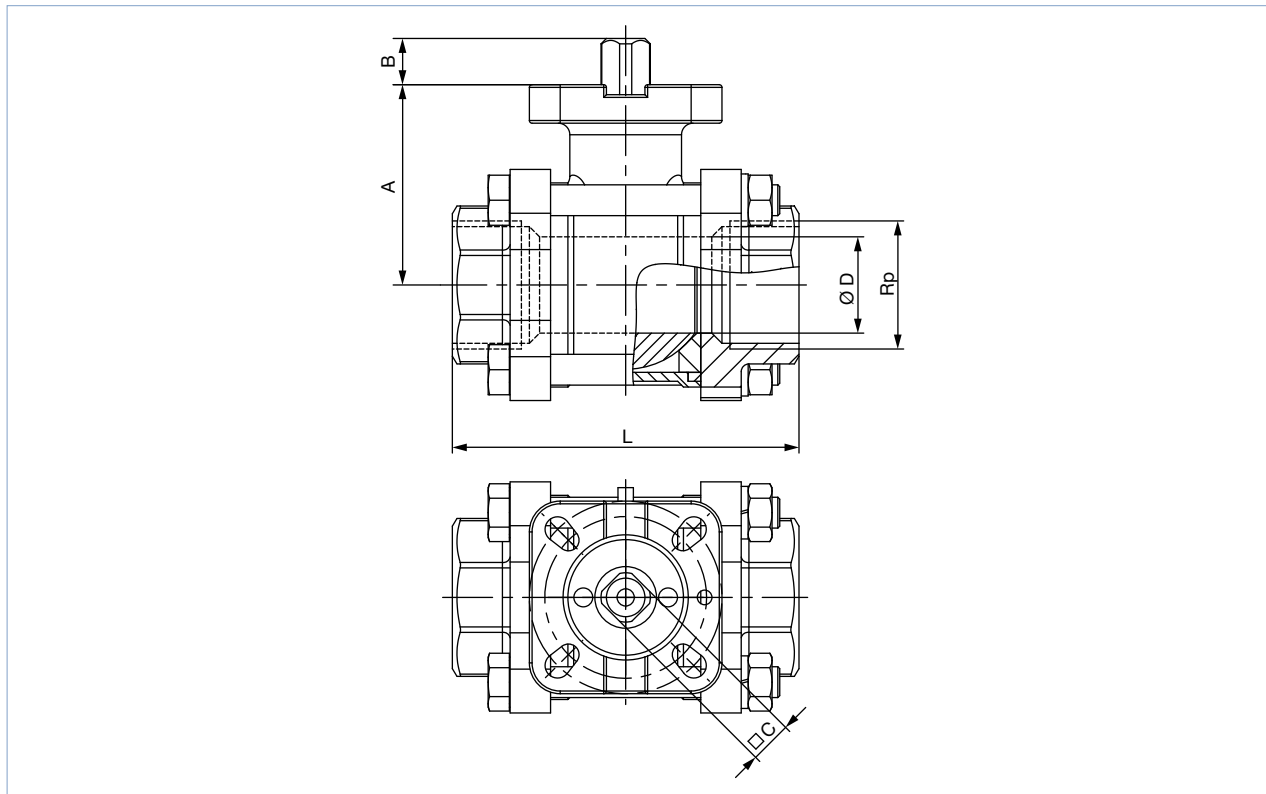


DN [mm]	Rp	D	L	A	B	C	ISO 5211	Article no.
10	¼"	10	65	40	7	9	F03 / F04	185994
12	⅜"	12	65	40	7	9	F03 / F04	185995
15	½"	16	75	40	7	9	F03 / F04	185996
20	¾"	20	80	44	7	9	F03 / F04	185997
25	1"	25	90	52	12	11	F04 / F05	185998
32	1 ¼"	32	110	58	12	11	F04 / F05	185999
40	1 ½"	40	120	68	16	14	F05 / F07	186000
50	2"	50	140	77	16	14	F05 / F07	186001
65	2 ½"	65	185	98	19	17	F07 / F10	186002
80	3"	80	205	110	19	17	F07 / F10	186003
100	4"	100	240	138	24	22	F10	217975

3.2. Weld end version

Note:

- Dimensions in mm
- Universal - applicable to different welding standards
- 3-way ball valves with hand lever are included in data sheet TKU001 | 002 | 003 | 004. For further details see **Type TKU001 | 002 | 003 | 004** ▶.

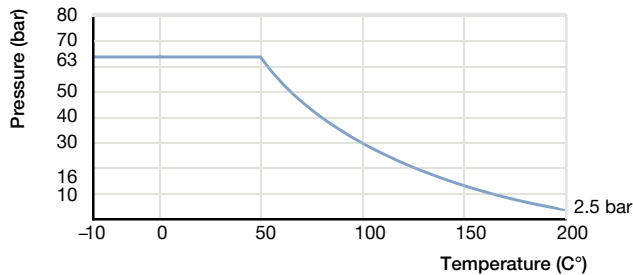


DN	W	D	L	A	B	C	ISO 5211	Article no.
[mm]								
12	19.3	12	75	40	9	9	F03 / F04	186004
15	23.3	16	75	40	9	9	F03 / F04	186005
20	28.2	20	90	44	9	9	F03 / F04	186006
25	33.8	25	100	52	12	11	F04 / F05	186007
32	41.1	32	110	58	12	11	F04 / F05	186008
40	49.0	40	125	68	16	14	F05 / F07	186009
50	62.0	50	150	77	16	14	F05 / F07	186010
65	78.0	65	190	98	19	17	F07 / F10	205429
80	94.3	80	220	110	19	17	F07 / F10	203221
100	125.2	100	270	138	24	22	F10	203222

4. Performance specifications

4.1. Pressure temperature diagram

For general industrial use



4.2. Torques

Torques - for ball valve with a PN 63 pressure rating											
DN [mm]	8	10	15	20	25	32	40	50	65	80	100
Breakaway torque [Nm]	6	6	10	14	17	24	29	44	78	112	140
Running torque [Nm]	4	4	7	9	11	16	19	30	52	89	112

5. Product accessories

5.1. Wearing part set for ball valve Type 2654

Note:

Detailed ordering information can be found in chapter [“Wearing part set for ball valve Type 2654” on page 7.](#)

Description	Quantity	Material
V-Packing / Stem Packing	4	PTFE
O-Ring	1	FKM
Thrust washer	1	PTFE
Seat	2	PTFE
Body Gasket	2	PTFE

5.2. Lever for ball valve Type 2654

Note:

- Detailed ordering information can be found in chapter [“Lever for ball valve Type 2654” on page 8.](#)
- Casted lever in 1.4408, screw and travel stop included.

6. Ordering information

6.1. Bürkert eShop – Easy ordering and quick delivery



Bürkert eShop – Easy ordering and fast delivery

You want to find your desired Bürkert product or spare part quickly and order directly? Our online shop is available for you 24/7. Sign up and enjoy all the benefits.

[Order online now](#)

6.2. Bürkert product filter



Bürkert product filter – Get quickly to the right product

You want to select products comfortably based on your technical requirements? Use the Bürkert product filter and find suitable articles for your application quickly and easily.

[Try out our product filter](#)

6.3. Ordering chart threaded version

Note:

Detailed information can be found in chapter [“3.1. Threaded version”](#) on page 4.

6.4. Ordering chart weld end version

Note:

Detailed information can be found in chapter [“3.2. Weld end version”](#) on page 5.

6.5. Ordering chart accessories






Wearing part set for ball valve Type 2654

Note:

Detailed information can be found in chapter [“5.1. Wearing part set for ball valve Type 2654”](#) on page 6.

DN [mm]	Article no.
10	773127
12	770180
15	789821
20	789822
25	789823
32	789824
40	789825
50	789826
65	789827
80	789828
100	789829

Lever for ball valve Type 2654

DN [mm]	Article no.
10...20	770161 
25...32	789897 
40...50	789671 
65...80	770162 
100	770163 

Bürkert – Close to You

For up-to-date addresses
please visit us at
www.burkert.com

DTS 1000202400 EN Version: | Status: RL (released | freigegeben | validé) printed: 06.08.2020

