



3 way multiport ball valve in stainless steel, DN15 - DN100

- Low torques and long lifespan
- Maintenance friendly
- High flow rates
- Anti-static
- ISO 5211 head flange

Product variants described in the data sheet may differ from the product presentation and description.

Can be combined with

	Type 2051 Pneumatic rotary actuator	▶
	Type 2052 Pneumatic rotary actuator	▶
	Type 3003 Electrical Rotary Actuator - On/Off and control	▶
	Type 3005 Electric Rotary Actuator - On/Off and Control	▶
	Type 3004 Explosion Proof Rotary Actuator - On/Off and control	▶
	Type 1061 Accessory for pneumatic rotary actuators	▶

Type description

The multiport ball valves in stainless steel are used for separating medium flow. The ball valves are equipped with a manual lever. However, they can be connected via the mechanical interface (acc. to ISO 5211) with pneumatic (for example, Type 2051 or Type 2052) and electrical rotary actuators (for example, Type 3003, Type 3004 or Type 3005), too. For manual use, the ball valves are equipped with hand levers as standard.

Further features and benefits are:

- High flow rate
- Low torques
- Maintenance friendly

Table of contents

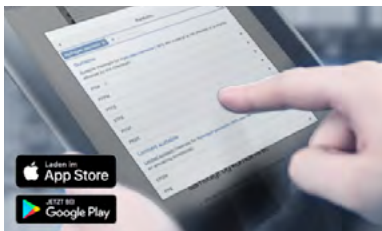
1. General technical data	3
2. Materials	4
2.1. Chemical Resistance Chart – Bürkert resistApp.....	4
2.2. Material specifications weld end version.....	4
3 way ball valve, L-bore or T-bore, PN40, DN15...50 (¼" ...2")	4
3 way ball valve, L-bore or T-bore, PN16, DN65...100 (2½" ...4")	4
2.3. Material specifications flange version.....	5
3 way ball valve, L-bore or T-bore, PN16, DN15...50 (¼" ...2")	5
3 way ball valve, L-bore or T-bore, PN16, DN65...100 (2½" ...4")	5
3. Dimensions	6
3.1. Weld end version	6
3.2. Flange version.....	7
4. Performance specifications	8
4.1. Pressure temperature diagram.....	8
4.2. Torques	8
4.3. Nominal Flow	8
4.4. Switching positions 3 way	8
5. Ordering information	9
5.1. Bürkert eShop – Easy ordering and quick delivery.....	9
5.2. Bürkert product filter.....	9
5.3. Ordering chart weld end version.....	9
5.4. Ordering chart flange version	9

1. General technical data

Product properties	
Dimensions	More detailed information can be found in the chapter “3. Dimensions” on page 6.
Materials	
Body	Stainless steel 1.4408
Ball	Stainless steel 1.4401
Stem	Stainless steel 1.4401
Seal	PTFE (Ball seal)
Orifice	DN15...100 (until DN200 on request)
Medium data	
Medium temperature	- 10 °C...200 °C (see “4.1. Pressure temperature diagram” on page 8)
Medium pressure	16/40 bar (see “4.1. Pressure temperature diagram” on page 8), max. 6 bar for steam with carbon reinforced PTFE-seal (option)
Approvals and certificates	
ISO head flange	EN ISO 5211
Conformity	TA-Luft Pressure Equipment Directive 97/23/EC (PED)
Product connections	
Port connections	Universal butt weld (applicable to different weld end norms) DIN Flange acc. EN 1092 – 1 ANSI Flange acc. ANSI/ASME B16.5 (on request)

2. Materials

2.1. Chemical Resistance Chart – Bürkert resistApp



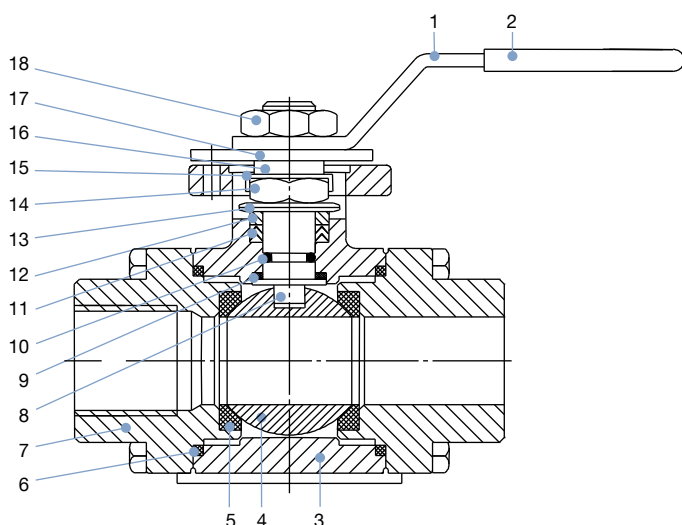
Bürkert resistApp – Chemical Resistance Chart

You want to ensure the reliability and durability of the materials in your individual application case? Verify your combination of media and materials on our website or in our resistApp.

[Start Chemical Resistance Check](#)

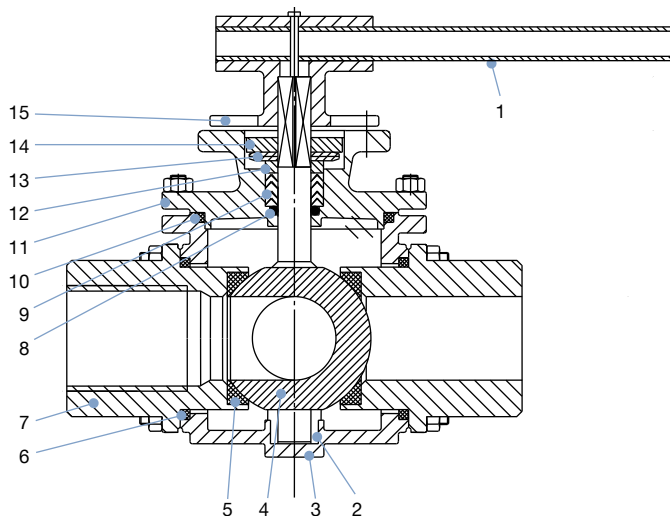
2.2. Material specifications weld end version

3 way ball valve, L-bore or T-bore, PN40, DN15...50 (1/4"..."2")



Pos.	Element	Qty.	Material
1	Manual lever	1	1.4301
2	Cover of manual lever	1	Plastic
3	Body	1	1.4408
4	Ball	1	1.4401
5	Seats	4	PTFE (glass fibre reinforced)
6	Body gasket	3	PTFE
7	End caps	3	1.4408
8	Stem	1	1.4401
9	Bearing	1	PTFE
10	O-Ring	1	FKM
11	Stem packing	2	PTFE
12	Thrust washer	1	1.4301
13	Spring	2	1.4301
14	Stem nut	1	1.4301
15	Nut stop	1	1.4301
16	Washer	1	1.4301
17	Stop plate	1	1.4301
18	Nut	1	1.4301

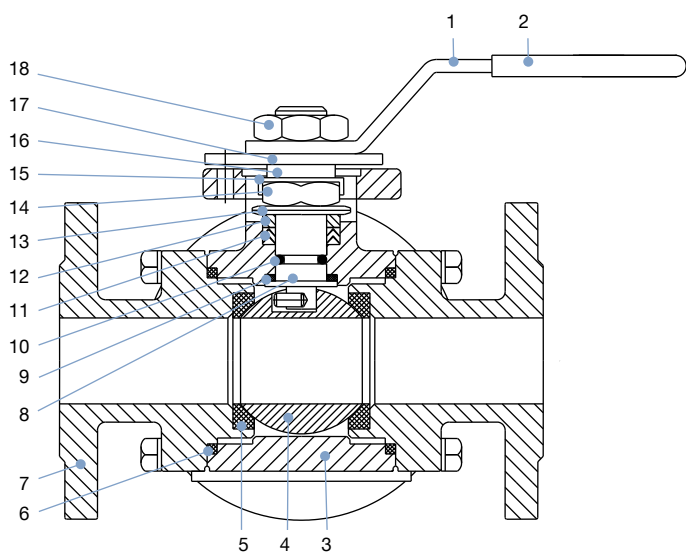
3 way ball valve, L-bore or T-bore, PN16, DN65...100 (2½"..."4")



Pos.	Element	Qty.	Material
1	Manual lever	1	Steel
2	End caps	3	1.4408
3	Body	1	1.4408
4	Ball and stem	1	1.4401
5	Seats	4	PTFE (glass fibre reinforced)
6	Body gasket	3	PTFE
7	Ball bearing	1	PTFE
8	O-Ring	1	FKM
9	Stem packing	2	PTFE
10	Top plate seal	1	PTFE
11	Top plate	1	1.4408
12	Thrust washer	1	1.4301
13	Spring	2	1.4301
14	Washer	1	1.4301
15	Lever bracket	1	1.4408

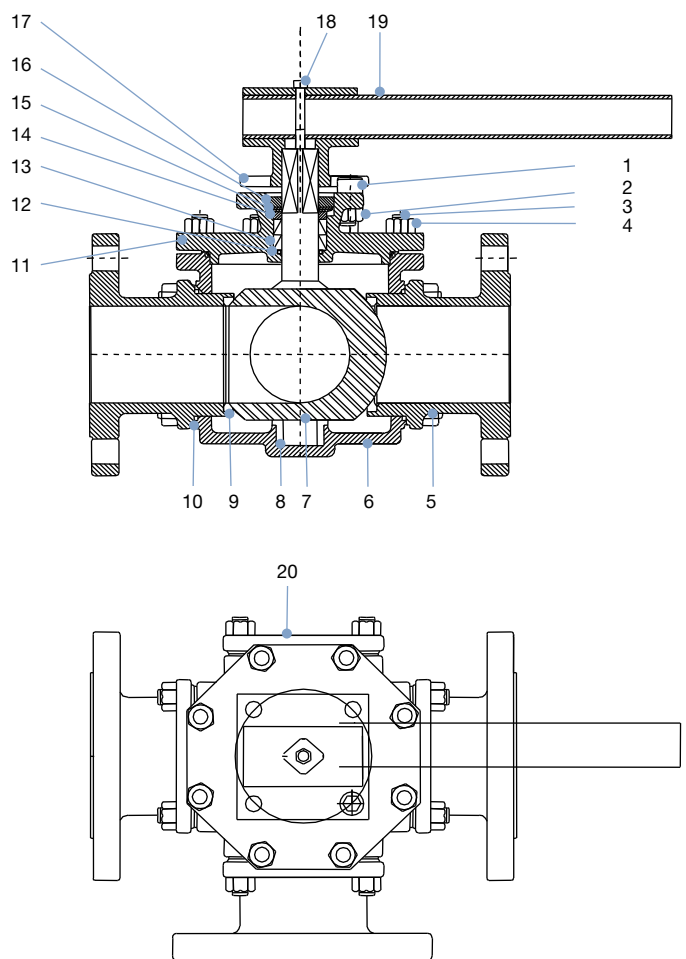
2.3. Material specifications flange version

3 way ball valve, L-bore or T-bore, PN16, DN15...50 (1/4"...2")



Pos.	Element	Qty.	Material
1	Manual lever	1	1.4301
2	Cover of manual lever	1	Plastic
3	Body	1	1.4408
4	Ball	1	1.4401
5	Seats	4	PTFE (glass fibre reinforced)
6	Body gasket	3	PTFE
7	End caps	3	1.4408
8	Stem	1	1.4401
9	Bearing	1	PTFE
10	O-Ring	1	FKM
11	Stem packing	2	PTFE
12	Thrust washer	1	1.4301
13	Spring	2	1.4301
14	Stem nut	1	1.4301
15	Nut stop	1	1.4301
16	Washer	1	1.4301
17	Stop plate	1	1.4301
18	Nut	1	1.4301

3 way ball valve, L-bore or T-bore, PN16, DN65...100 (2½"...4")



Pos.	Element	Qty.	Material
1	Stopper	1	1.4301
2	Nut stop	1	1.4301
3	Screws	8	1.4301
4	Nut	8	1.4301
5	End caps	3	1.4408
6	Body	1	1.4408
7	Ball and stem	1	1.4401
8	Bearing	1	PTFE
9	Seats	4	PTFE (glass fibre reinforced)
10	Body gasket	4	PTFE
11	Top plate	1	1.4408
12	O-Ring	1	FKM
13	Stem packing	2	PTFE
14	Ring	1	1.4301
15	Spring	1	1.4301
16	Nut	1	1.4301
17	Lever bracket	1	1.4301
18	Screw	1	1.4301
19	Manual lever	1	1.4301
20	Blind End Cup	1	1.4408

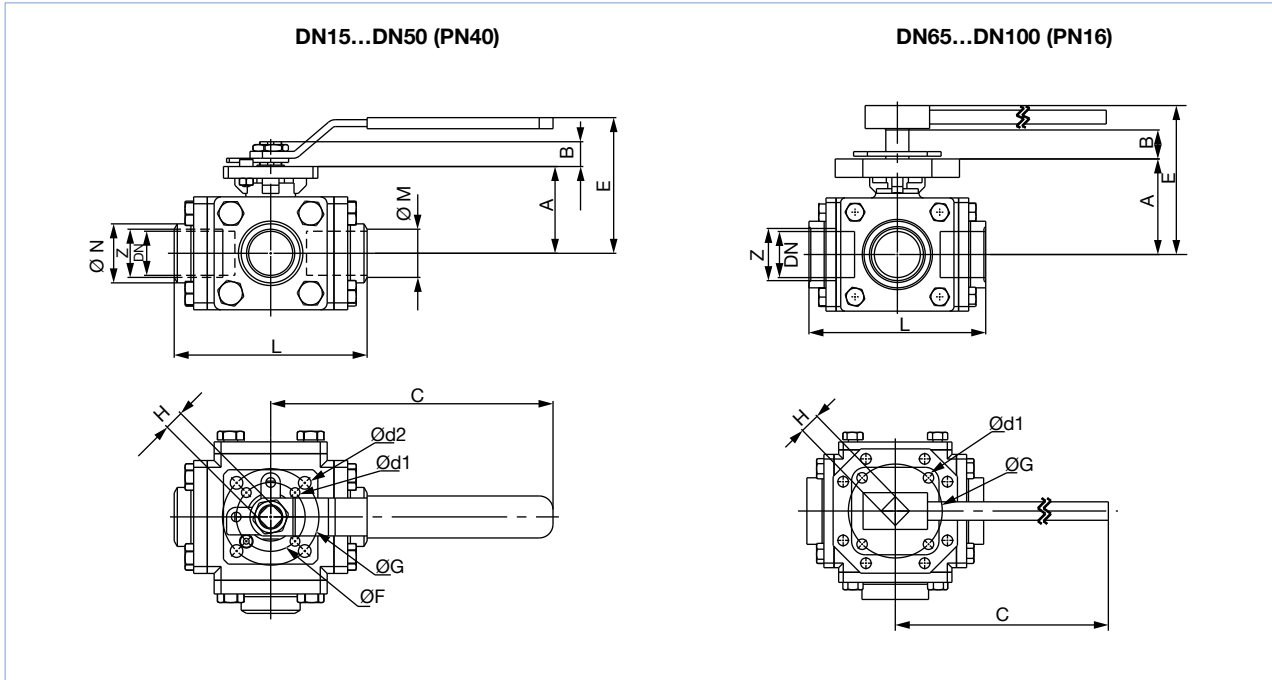
DTS 1000404960 EN Version: C Status: RL (released | freigegeben | validé) printed: 06.08.2021

3. Dimensions

3.1. Weld end version

Note:

- Dimensions in mm
- Universal butt weld end - applicable to different weld end norms

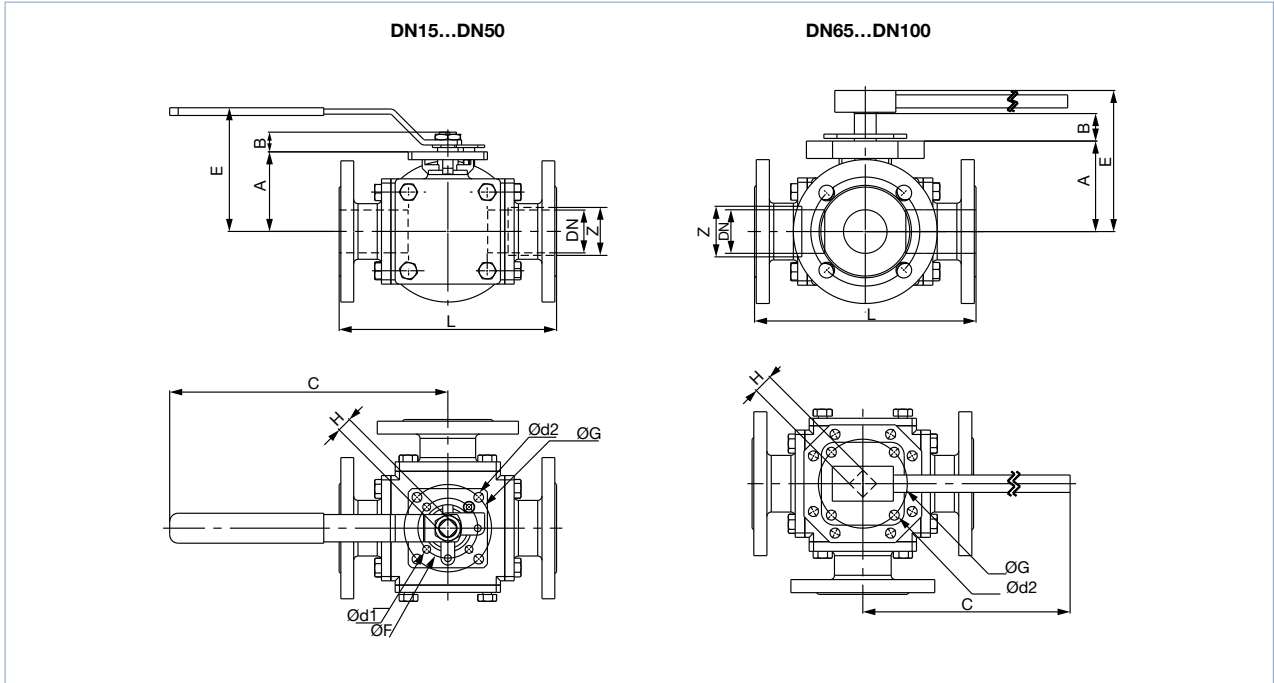


DN	PN [bar]	A	B	C	Ø d1	Ø d2	E	Ø F	Ø G	H	L	Ø M	Ø N	Article no.	
														L-bore	T-bore
15	40	41	11	130	6	6	62	36	42	9	105	17.5	21.5	770738	773005
20	40	49	14	165	6	7.1	82	42	50	11	112	22.5	27.5	770739	773006
25	40	55	14	165	6	7.1	89	42	50	11	128	28	34.5	772997	773007
32	40	63	18	205	7.1	9.2	98	50	70	14	140	35	42.8	770042	773008
40	40	74	18	205	7.1	9.2	108	50	70	14	160	41	49	772998	773009
50	40	93	23	325	9.2	11.4	140	70	102	17	192	54	61	772999	772835
65	16	118.5	25	400	-	11.4	210	-	102	22	294	-	-	773000	773010
80	16	136.5	25	500	-	11.4	228	-	102	22	317	-	-	773001	773011
100	16	156.5	25	650	-	11.4	248	-	102	22	369	-	-	773002	773012

3.2. Flange version

Note:

- Dimensions in mm
- Flange acc. to DIN EN 1092-1



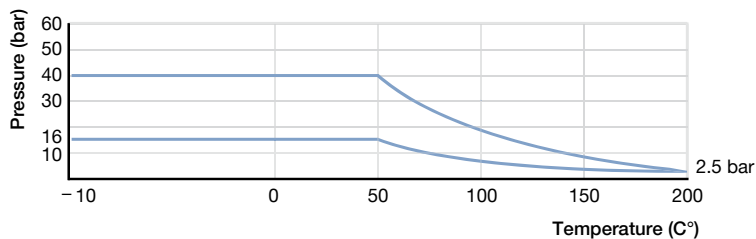
DN	PN	A	B	C	Ø d1	Ø d2	E	Ø F	Ø G	H	L [PN16]	L [PN40] ^{1.)}	Article no. [PN16]	
													L-bore	T-bore
15	16	41	11	130	6	6	62	36	42	9	160	160	770028	774375
20	16	49	14	165	6	7.1	82	42	50	11	177	177	770031	774376
25	16	55	14	165	6	7.1	89	42	50	11	190	190	770029	771821
32	16	63	18	205	7.1	9.2	98	50	70	14	208	208	774377	772440
40	16	74	18	205	7.1	9.2	108	50	70	14	234	234	770030	772222
50	16	93	23	325	9.2	11.4	140	70	102	17	273	273	771196	771195
65	16	118	25	400	-	11.4	210	-	102	22	300	300	772834	771166
80	16	236.5	25	500	-	11.4	228	-	102	22	305	330.4	771087	771107
100	16	156.5	25	650	-	11.4	248	-	102	22	368.5	393.5	773387	774378

1.) PN40 available on request

4. Performance specifications

4.1. Pressure temperature diagram

For general industrial use



4.2. Torques

Torques – for ball valves with a PN16 pressure rating									
DN [mm]	15	20	25	32	40	50	65	80	100
Torque [Nm] for lubricating mediums	12.8	15.4	32.1	34.6	55.3	71.8	134.7	147.5	237.3
Torque [Nm] for non-lubricating mediums	16.2	19.5	38.4	41.3	63.4	96.2	229	258.2	427.5

Torques – for ball valves with a PN40 pressure rating									
DN	15	20	25	32	40	50	65	80	100
Torque [Nm] for lubricating mediums	17.9	21.6	44.9	48.4	77.4	100.5	188.6	206.5	332.2
Torque [Nm] for non-lubricating mediums	22.7	27.3	53.8	57.8	88.8	134.7	320.6	361.5	598.5

4.3. Nominal Flow

Nominal flow – K_v value [m ³ /h]									
Orifice [mm]	15	20	25	32	40	50	65	80	100
L-bore	9	17	26	40	60	114	139	217	348
T-bore	7	18	19	35	46	83	105	186	310

4.4. Switching positions 3 way

Ball bore		T			L	
Position	0°					
	90°					
Switching position		T1	T2	T3	L4	

5. Ordering information

5.1. Bürkert eShop – Easy ordering and quick delivery



Bürkert eShop – Easy ordering and fast delivery

You want to find your desired Bürkert product or spare part quickly and order directly? Our online shop is available for you 24/7. Sign up and enjoy all the benefits.

[Order online now](#)

5.2. Bürkert product filter



Bürkert product filter – Get quickly to the right product

You want to select products comfortably based on your technical requirements? Use the Bürkert product filter and find suitable articles for your application quickly and easily.

[Try out our product filter](#)

5.3. Ordering chart weld end version

Note:

For detailed ordering information see [“3.1. Weld end version”](#) on page 6.

5.4. Ordering chart flange version

Note:

For detailed ordering information see [“3.2. Flange version”](#) on page 7.

Bürkert – Close to You

For up-to-date addresses
please visit us at
www.burkert.com

DTS 1000404960 EN Version: C Status: RL (released | freigegeben | validé) printed: 06.08.2021

