



2/2 or 3/2 way Ball Valve, 2-Piece

- Stainless steel ball valve
- High flow rate
- High medium pressure
- Long lifespan
- ISO 5211 Top flange

Type 2651 can be combined with...



Type 2051
Pneumatic
actuator



Type 2052
Pneumatic
actuator



Type 3003
Electric
actuator



Type 3004
Electric
actuator



Type 3005
Electric
actuator

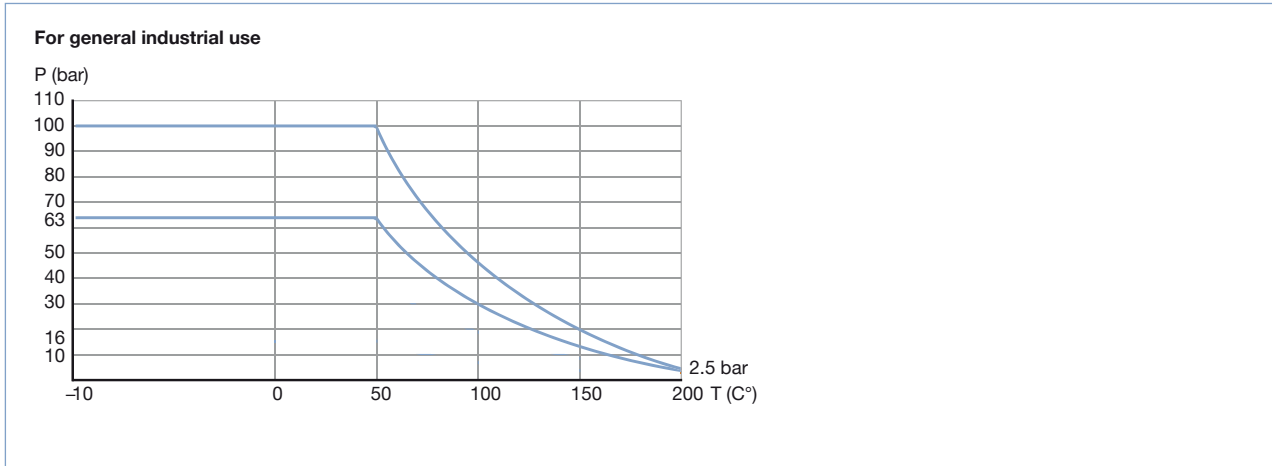
2/2- and 3/2 way stainless steel ball valve used to shut off and distributing medium flows. The ball valves can be connected via the mechanical interface to ISO 5211 with a pneumatic (for example, Type 2051 or 2052) or electrical rotary actuator (eg, Types 3003, 3004 or 3005).

- 3/2 way Version with L- or T-boring

Technical data	
Orifice	DN10 to 50 (2/2- way) DN10 to 40 (3/2- way)
Ball bore (3/2- Wege)	L - Boring T - Boring
Body material	Stainless steel 1.4408
Ball material	Stainless steel 1.4401
Selector shaft material	Stainless steel 1.4401
Seal material	PTFE (Ball seal) FKM (Stem Seal)
Medium temperature	-10 to 200 °C (see pressure temperature diagram)
Medium pressure	max. 100 bar (2/2 way) (see pressure temperature diagram) max. 63 bar (3/2 way) (see pressure temperature diagram)
Medium	Stainless steel body: aggressive mediums, which do not affect the body or seal materials
Port connection	Rp 1/4" - Rp 2" Whitworth Thread acc. DIN EN 10226-1 (alt DIN 2999)
ISO Top flange	EN ISO 5211

Further technical data

Pressure / Temperature diagram



Torques

2/2 way

DN	10	12	15	20	25	32	40	50
Breakaway torque [Nm]	13	13	16	25	31	53	76	99
Running torque [Nm]	10	10	13	20	24	43	60	80

3/2 way

DN	10	12	15	20	25	32	40
Breakaway torque [Nm]	13	13	18	22	35	42	68
Running torque [Nm]	9	9	12	14	23	28	45

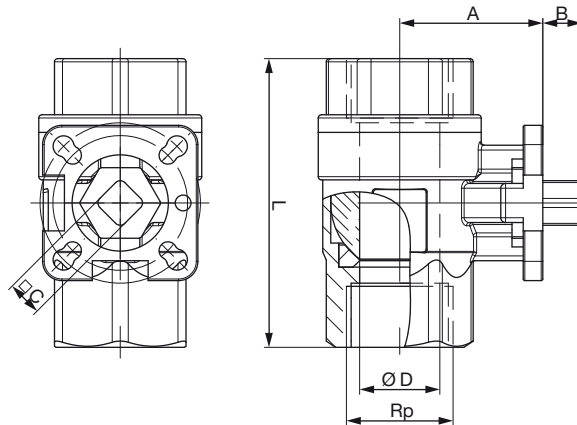
The given values were measured at max. delta P with water at ambient temperature.

Switching positions 3-way

Ball bore		T				L
Position	0°					
	90°					
Switching position		T1	T2	T3	T4	L4

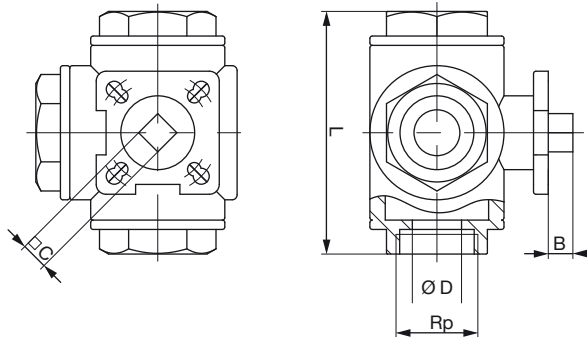
Dimensions / Ordering chart [mm]

2-way, threaded



DN [mm]	Rp	D	L	A	B	C	ISO 5211	Article no.
10	¼"	11.6	50	33.2	7	9	F03	185972
12	⅜"	12.7	60	33.2	7	9	F03/F04	185973
15	½"	15	75	35	7.5	9	F03/F04	185974
20	¾"	20	80	41	12.1	11	F03/F04	185975
25	1"	25	90	44.5	12.1	11	F04/F05	185976
32	1 ¼"	31.8	110	49.5	11.5	11	F04/F05	185977
40	1 ½"	38	120	55	12.1	11	F04/F05	185978
50	2"	50.8	140	66.5	15.5	14	F05/F07	185979

3-way, threaded



DN [mm]	Rp	D	L	B	C	ISO 5211	Article no.	
							L - Boring	T - Boring
10	¼"	10	80	7.4	9	F03/F04	172844	185984
12	½"	12	80	7.4	9	F03/F04	185853	185987
15	¾"	15	87.5	7.4	9	F03/F04	172845	185988
20	1"	20	100	12.8	11	F04/F05	172847	185989
25	1 ¼"	25	123	11.4	11	F04/F05	172848	185990
32	1 ½"	32	142.2	12.4	11	F04/F05	172849	185992
40	2"	40	170.6	9.8	11	F04/F05	172851	185993

To find your nearest Bürkert facility, click on the orange box → www.burkert.com

In case of special application conditions,
please consult for advice.

Subject to alteration.
© Christian Bürkert GmbH & Co. KG

1804/4_EU-en_00891691