



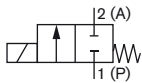
## 2/2 way Solenoid Valve for low and high temperatures

- Medium separation
- Metal bellow system in stainless steel
- High quality PTFE seat seal
- Medium temperature - 200 °C ... + 180 °C
- Energy saving "Kick and Drop" electronic

The direct-acting valve Type 2610 is delivered with circuit function normally closed. The thermal isolation of the coil and housing by means of stainless steel bellows allows the extreme medium temperature. In this way condensation or an unacceptable heating up of the coil is avoided. The supplied cable head contains a "kick and drop" electronic that supports the opening phase and afterwards reduction of the opening holding power.

### Circuit function A

2/2 way direct-acting solenoid valve, normally closed



Technical data	
<b>Body material</b>	Brass with stainless steel seat 1.4581 Stainless steel body and stainless steel seat 1.4581
<b>Metal bellows</b>	Stainless steel 1.4541
<b>Seal material</b>	PTFE
<b>Medium</b>	Neutral gases and liquids
<b>Medium temperature</b>	- 200 to + 180 °C
<b>Ambient temperature</b>	Max. + 50 °C
<b>Viscosity</b>	Approx 21 mm <sup>2</sup> /s
<b>Operating voltages</b>	24/110 VUC 220 - 230 VUC
<b>Voltage tolerance</b>	Max. ± 10 %
<b>Cycling rate</b>	10/min
<b>Power consumption</b>	Kick and Drop electronic 72/4 W
<b>Duty cycle</b>	Continuous operation 100% ED
<b>Electrical connection</b>	Cable plug for Ø 7 mm cable (included in delivery)
<b>Protection class</b>	IP65 with cable plug
<b>Installation position</b>	As required, preferably with actuator upright
<b>Weight</b>	1.1 kg

## Other technical data

Orifice [mm]	K <sub>v</sub> value water [m <sup>3</sup> /h]	Port connection	Pressure range [bar]	Power consumption		Response times	
				Inrush [W]	Operation [W]	Opening [ms]	Closing [ms]
6.0	0.8	G ¼, NPT ¼	0-10	72	4	100 to 200	300 to 500
8.0	0.9	G ½, NPT ½	0-10				
12.0	1.8	G ½, NPT ½	0-3.5				

**Flowrate: K<sub>v</sub> value water [m<sup>3</sup>/h]**

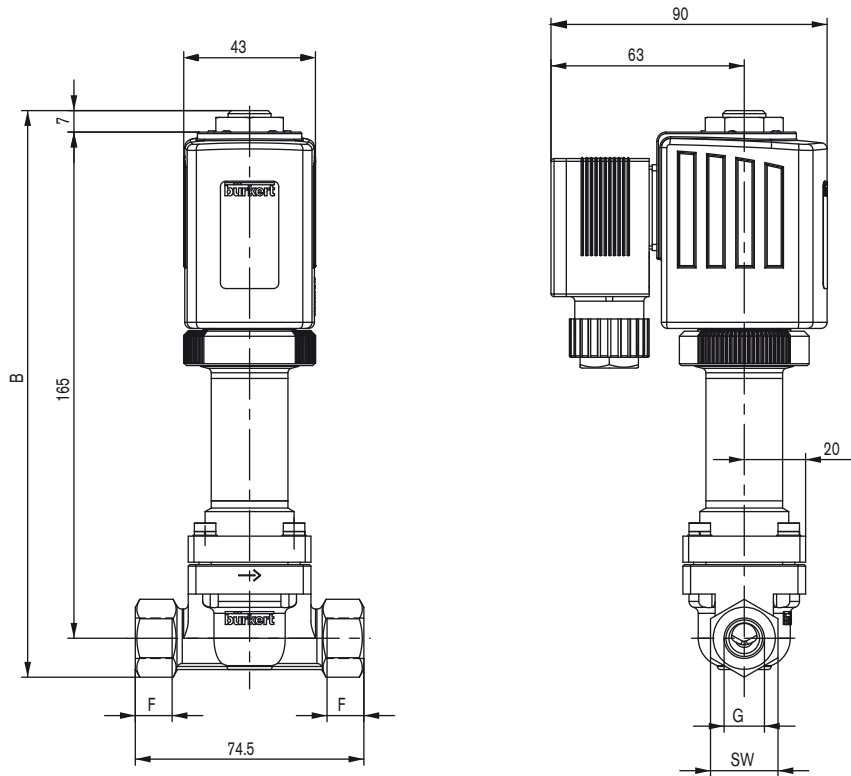
Measured at +20 °C, 1 bar pressure at valve inlet and free outlet

**Pressure values [bar]**

Overpressure with respect to atmospheric pressure

**Response times [ms]** Measured at valve outlet at 6 bar and +20 °C**Opening** Pressure rise 0 to 90%,  
**Closing** Pressure drop 100 to 10%

## Dimensions [mm]



Body with threaded port, G ½

Body with threaded port, G ¼

<sup>1)</sup> For G-Thread the dimensions F1 and G1 apply  
for NPT-Thread the dimensions F2 and G2 apply

DN	B	F1 <sup>1)</sup>	G1 <sup>1)</sup>	F2 <sup>1)</sup>	G2 <sup>1)</sup>	SW
6	184	12	G ¼	10.0	NPT ¼	24
8	187	14	G ½	13.5	NPT ½	27
12	187	14	G ½	13.5	NPT ½	27

## Ordering chart (other versions on request)

All valves with PTFE seal and stainless steel body

Circuit function	Orifice [mm]	Port connection	K <sub>v</sub> s value [m <sup>3</sup> /h]	Pressure range [bar]	Voltage / frequency	Article no.
A	6.0	G ¼	0.8	0-10	024 UC	167737
A	6.0	NPT ¼	0.8	0-10	024 UC	167758
A	6.0	G ¼	0.8	0-10	110 UC	167738
A	6.0	NPT ¼	0.8	0-10	110 UC	▪
A	6.0	G ¼	0.8	0-10	230 UC	167739
A	6.0	NPT ¼	0.8	0-10	230 UC	▪
A	8.0	G ½	0.9	0-10	024 UC	167740
A	8.0	NPT ½	0.9	0-10	024 UC	167761
A	8.0	G ½	0.9	0-10	110 UC	167741
A	8.0	NPT ½	0.9	0-10	110 UC	▪
A	8.0	G ½	0.9	0-10	230 UC	167742
A	8.0	NPT ½	0.9	0-10	230 UC	▪
A	12.0	G ½	1.8	0-3.5	024 UC	167743
A	12.0	NPT ½	1.8	0-3.5	024 UC	167764
A	12.0	G ½	1.8	0-3.5	110 UC	167744
A	12.0	NPT ½	1.8	0-3.5	110 UC	▪
A	12.0	G ½	1.8	0-3.5	230 UC	167745
A	12.0	NPT ½	1.8	0-3.5	230 UC	▪

▪ on request

## Accessories

Description	Article no.
Mounting bracket with 2 stainless steel screws	260250

To find your nearest Bürkert facility, click on the orange box


[www.burkert.com](http://www.burkert.com)

In case of special application conditions,  
please consult for advice.

Subject to alteration.  
© Christian Bürkert GmbH & Co. KG

1802/2\_EU-en\_00895253