



Cable plug acc. to DIN EN 175301-803 Form A

- Meets requirements acc. to ATEX category 3 GD - to be used with Bürkert valves
- Impact and extract test acc. to EN 60079 standard
- TAG sign for individual labelling
- Hard prewired PUR cable in 4 lengths



Product variants described in the data sheet may differ from the product presentation and description.

Type description

Plug-in connection with fixed moulded cable for connecting electrical components acc. to DIN EN 175301-803.

Table of contents

1. General Technical Data	3
2. Dimensions	4
3. Ordering information	5
3.1. Bürkert eShop – Easy ordering and quick delivery.....	5
3.2. Bürkert product filter.....	5
3.3. Ordering chart.....	5

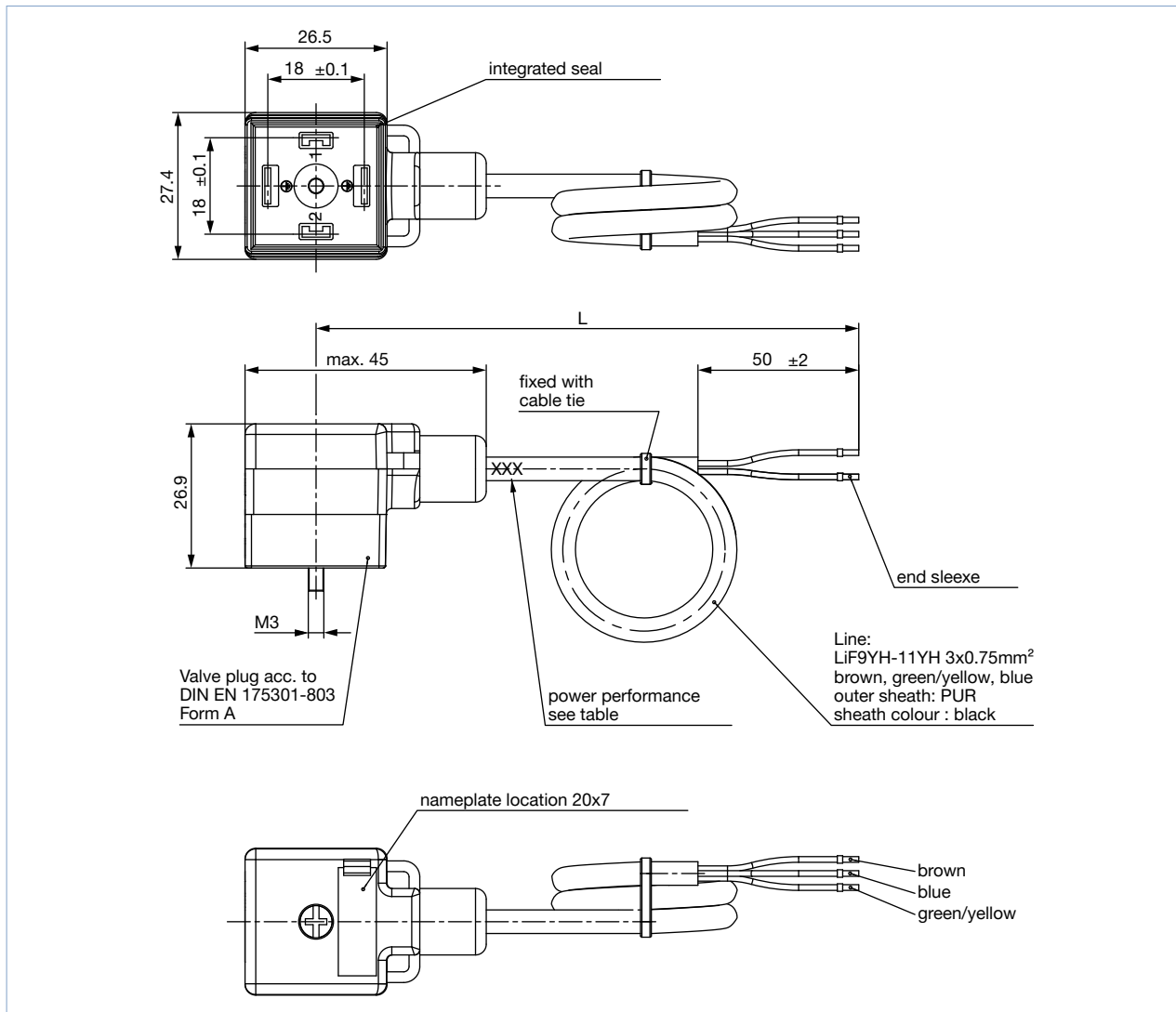
1. General Technical Data

Product properties	
Dimensions	Detailed information can be found in chapter "2. Dimensions" on page 4.
Material	
Seal	TPU injected additional NBR*1 (supplied loose)
Body	Polyamide
Contact	Brass, silver plated
Fixing screw	Stainless steel
Cable diameter	5.5...6.5 mm
Cable sheath	PUR
Core insulation	PP
Core cross-section	3 × 0.75 mm ²
Bending radius (moving state)	Min. 10x cable diameter
Sheath color	Black
Core insulation color	Brown, blue, green yellow
Electrical data	
Acceptable current load	4 A
Rated voltage	max. 230 V AC/DC
Circuit	Without
No. of pins	4 pin (2 + 2x protective conductor)
Environment and installation	
Degree of protection	IP65 (in locked position)
Ambient temperature	-30 °C...+90 °C
Soiling level	3

2. Dimensions

Note:


- Dimensions in mm
- Supplied loose: identification label, additional NBR seal for use with Bürkert coils
- Cable lengths under 1 meter not coiled



L [mm]
300
3000
5000
12000

3. Ordering information

3.1. Bürkert eShop – Easy ordering and quick delivery




Bürkert eShop – Easy ordering and fast delivery

You want to find your desired Bürkert product or spare part quickly and order directly? Our online shop is available for you 24/7. Sign up and enjoy all the benefits.

[Order online now](#)

3.2. Bürkert product filter

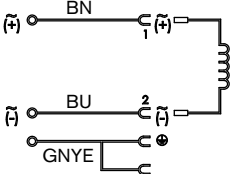


Bürkert product filter – Get quickly to the right product

You want to select products comfortably based on your technical requirements? Use the Bürkert product filter and find suitable articles for your application quickly and easily.

[Try out our product filter](#)

3.3. Ordering chart

Circuit diagram	Cable length [mm]	Article no.
	12000	260893
	5000	260892
	3000	260891
	300	260890

Bürkert – Close to You

For up-to-date addresses
please visit us at
www.burkert.com

DTS 1000219551 EN Version: F Status: RL (released | freigegeben | validé) printed: 20.09.2021

