



## Cable plug acc. to DIN EN 175301-803 Form A

- Meets requirements acc. to ATEX category 3 GD
- Impact and extract test acc. to EN 60079 standard
- TAG sign for individual labelling
- Hard prewired PUR cable in 4 lengths



Product variants described in the data sheet may differ from the product presentation and description.

### Type description

Plug-in connection with fixed moulded cable for connecting electrical components acc. to DIN EN 175301-803.

## Table of contents

<b>1. General Technical Data</b>	<b>3</b>
<b>2. Dimensions</b>	<b>4</b>
<b>3. Ordering information</b>	<b>5</b>
3.1. Bürkert eShop – Easy ordering and quick delivery.....	5
3.2. Bürkert product filter.....	5
3.3. Ordering chart.....	5

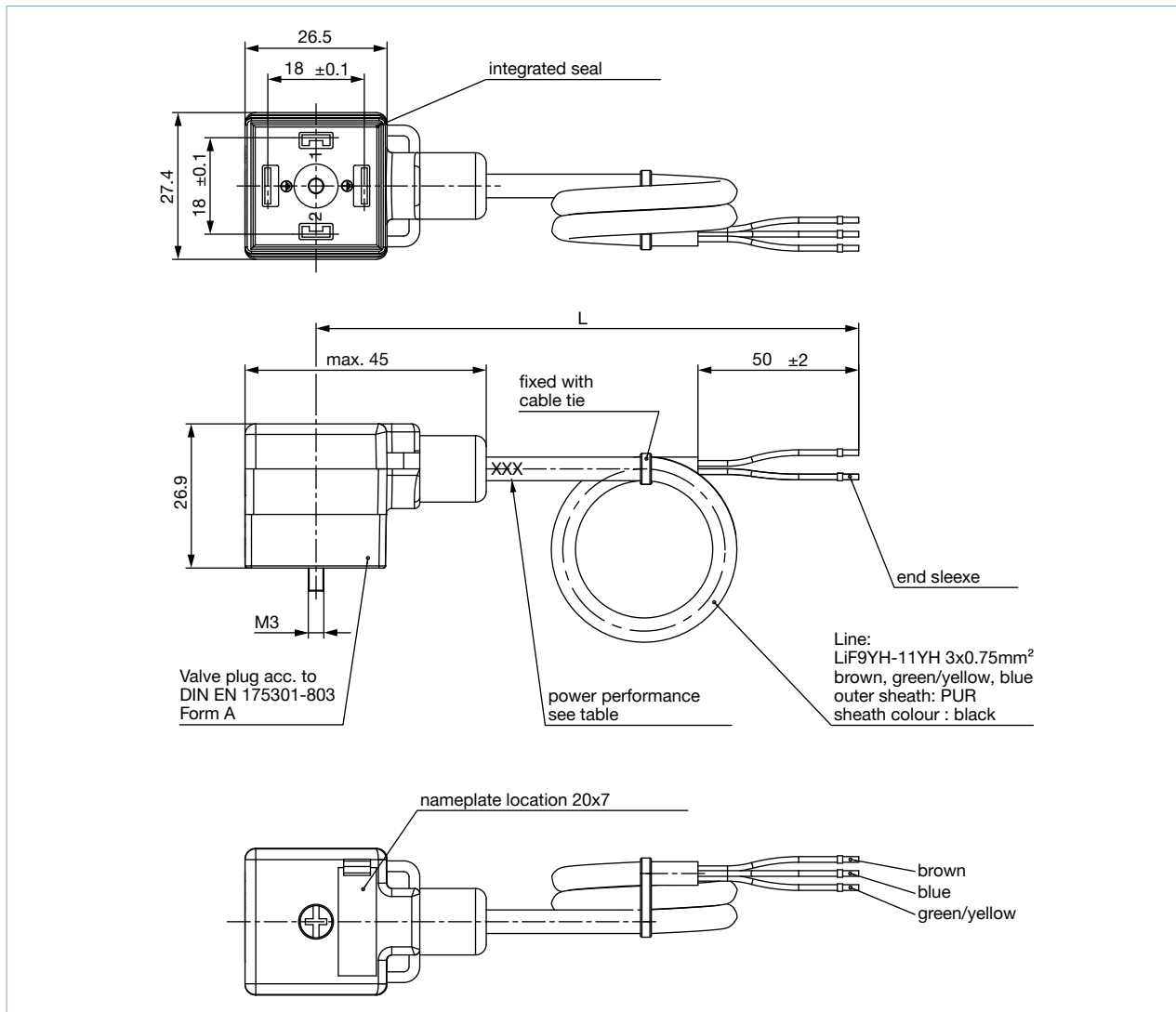
## 1. General Technical Data

Product properties	
Dimensions	Detailed information can be found in chapter "2. Dimensions" on page 4.
Material	
Seal	TPU injected additional NBR*1 (supplied loose)
Body	Polyamide
Contact	Brass, silver plated
Fixing screw	Stainless steel
Cable diameter	5.5...6.5 mm
Cable sheath	PUR
Core insulation	PP
Core cross-section	3 × 0.75 mm <sup>2</sup>
Bending radius (moving state)	Min. 10x cable diameter
Sheath color	Black
Core insulation color	Brown, blue, green yellow
Electrical data	
Acceptable current load	4 A
Rated voltage	max. 230 V AC/DC
Circuit	Without
No. of pins	4 pin (2 + 2x protective conductor)
Environment and installation	
Degree of protection	IP65 (in locked position)
Ambient temperature	-30 °C...+90 °C
Soiling level	3

## 2. Dimensions

**Note:**

- Dimensions in mm
- Supplied loose: identification label, additional NBR seal for use with Bürkert coils
- Cable lengths under 1 meter not coiled




L [mm]
300
3000
5000
12000

DTS 1000219551 EN Version: E Status: RL (released | freigegeben | validé) printed: 15.01.2020

### 3. Ordering information

#### 3.1. Bürkert eShop – Easy ordering and quick delivery




**Bürkert eShop – Easy ordering and fast delivery**

You want to find your desired Bürkert product or spare part quickly and order directly? Our online shop is available for you 24/7. Sign up and enjoy all the benefits.

[Order online now](#)

#### 3.2. Bürkert product filter

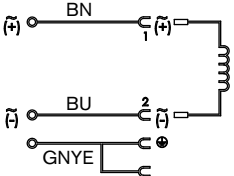


**Bürkert product filter – Get quickly to the right product**

You want to select products comfortably based on your technical requirements? Use the Bürkert product filter and find suitable articles for your application quickly and easily.

[Try out our product filter](#)

#### 3.3. Ordering chart

Circuit diagram	Cable length [mm]	Article no.
	12000	260893
	5000	260892
	3000	260891
	300	260890

# Bürkert – Close to You

For up-to-date addresses  
please visit us at  
[www.burkert.com](http://www.burkert.com)

DTS 1000219551 EN Version: E Status: RL (released | freigegeben | validé) printed: 15.01.2020

