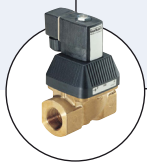


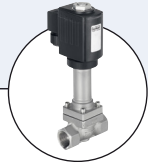


Type 2511 can be combined with...



Type 6213 EV

Solenoid valve



Type 2610

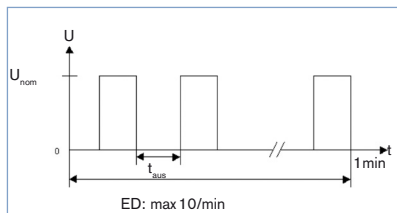
Solenoid valve

The cable plug, Type 2511, is used to increase the switching pressure for solenoid valves. Power consumption and coil temperature can be significantly reduced during continuous operation. The use of the cable plug is always dependent on the type of solenoid valve used. Please contact your nearest Buerkert sales office for help with this.

Operation principle

The high inrush power is generated by over-excitation. After switching the valve electronic is lowered onto a small holding power. At 400ms, the 110-230 V AC design limits the inrush power to the minimum holding power of the valve.

In the 24 V version a switching point identification is integrated, which always switches to the holding power at the optimum time. An LED indicates the operating status, "nominal holding current".

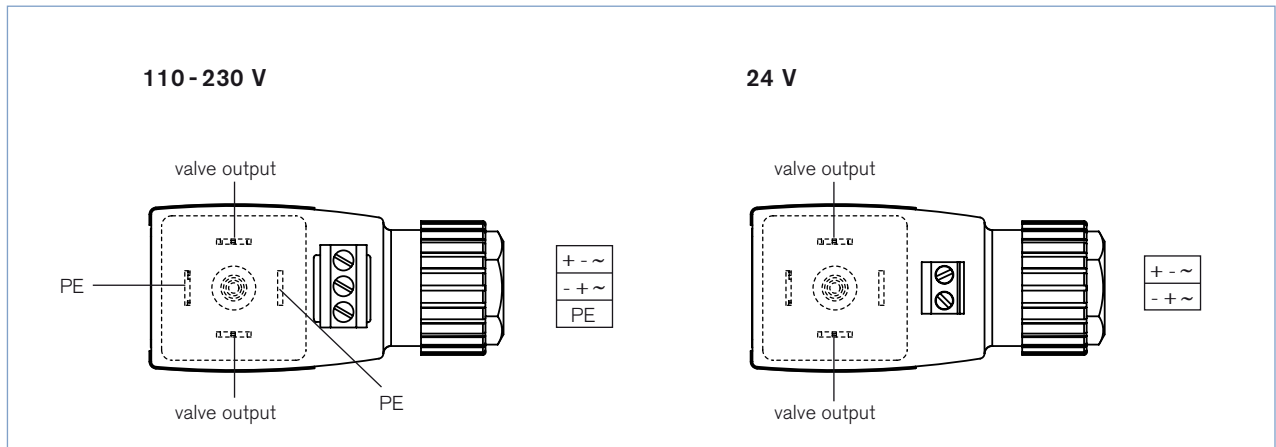


Cable plug with Kick and Drop electronic

- Increase of switching operating pressure
- Energy saving by reducing of power
- 24 V version with switching point detection and LED control

Technical data	24 V	110-230 V
Body material	Polyamide	Polyamide
Body cover	Polysulfone, gray transparent	Polysulfone
Contact material	Brass, galvanised silver-plated	Brass, galvanised silver-plated
Contact distance	18 mm acc. to DIN EN 175301-803 (previously DIN 43650, Form A)	18 mm acc. to DIN EN 175301-803 (previously DIN 43650, Form A)
Operating voltage U_{nom}	24 V AC/DC Supply voltage acc. to IEC 364-4-41 (PELV)	110-230 V AC/DC
Max. inrush power	72 W	72 W
Overexcitation time	AC: 400 ms / DC: variable	400 ms
Holding power	4 W	4 W
Max. cycles	10/min	10/min
Off-time t_{aus} between two switching operations	min. 1 sec.	min. 1 sec.
Connection	2 pin terminal strip wire gauge: Max. 1.5 mm ² Cable diameter: 6-7 mm	3 pin terminal strip wire gauge: Max. 1.5 mm ² Cable diameter: 6-7 mm
Earth conductor	no	yes
Operating temperature	-10 to 55 °C	-10 to 55 °C
Protection class	IP65	IP65
Switch point detection	AC: no / DC: yes	no
LED indicator	green	no

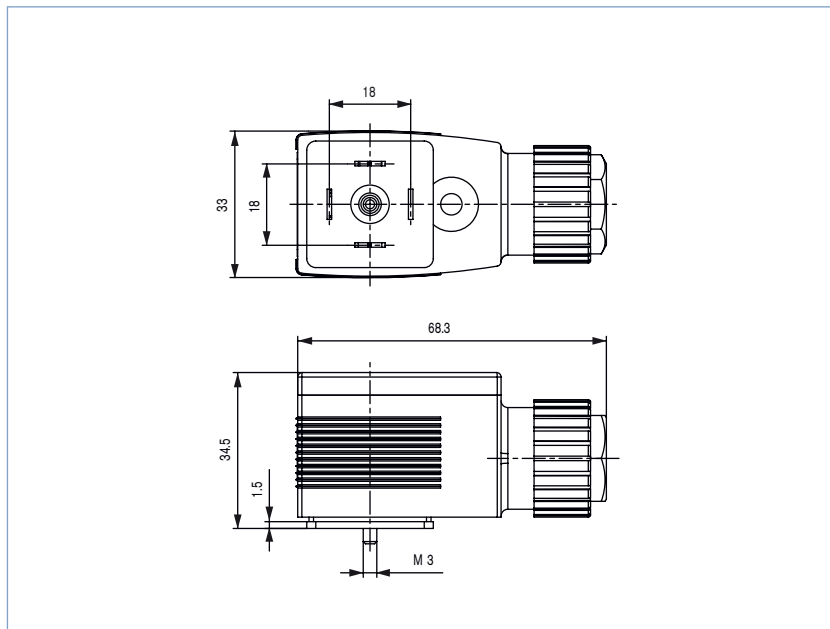
Connection diagram



Ordering chart

Operating voltage	Article no.
24 V AC/DC	181630
110... 230 V AC/DC	138306

Dimensions [mm]



To find your nearest Bürkert facility, click on the orange box → www.burkert.com

In case of special application conditions, please consult for advice.

We reserve the right to make technical changes without notice.

1801/4_EU-en_00891687