



## Cable Plug acc. to DIN EN 175301 -803, Form A

- UR and UL approved

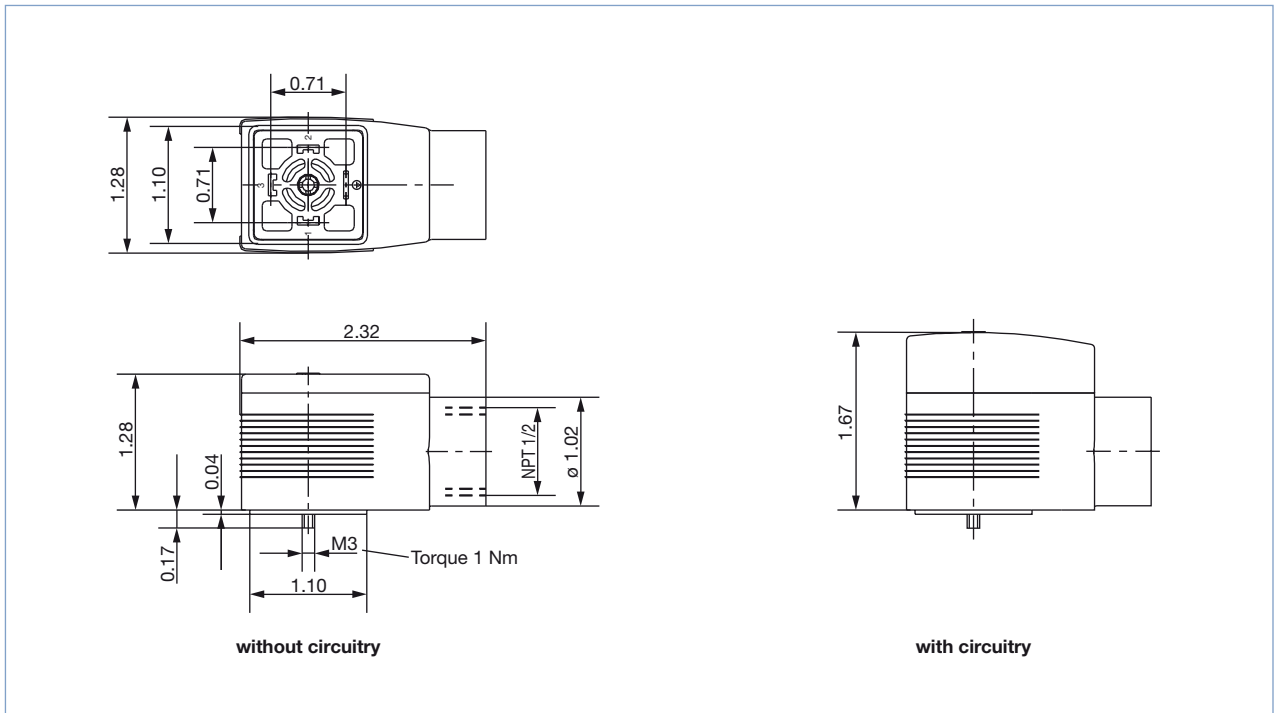
Plug connection Type 2509 for the connection of electrical components according to DIN EN 175301 -803 (previously DIN 43650, Form A).

The Type 2509 has a UR approval as component.



Technical data	
<b>Body material</b>	PA (polyamide)
<b>Contact material</b>	Copper alloy, silver-plated
<b>Connection thread</b>	½" NPT
<b>Cable outlet</b>	vertically to the plug bottom can be rotated by 4 × 90° after removal
<b>Cross section area</b>	≤ 0.118"
<b>Isolation between cable plug and coil</b>	NBR flat seal
<b>Cable diameter</b>	0.029 - 0.078 inches
<b>Ambient temperature range</b>	from -10 °C to 55 °C (+ 14 °C to 131 °F)
<b>Poles</b>	2 pin + protective ground
<b>Rated voltage</b>	0 to 250 V
<b>Protection class</b>	NEMA 4 (IP65)
<b>Flammability class to UL 94</b>	5 V

**Dimensions [inches]**



**Ordering Chart**

**No circuitry (standard)**

Voltage	Max. current	Article no.
0 - 250 V AC/DC	6 A	137943

DTS 1000010988 EN Version: E Status: RL (released | freigegeben | valide) printed: 31.01.2018

To find your nearest Bürkert facility, click on the orange box → [www.burkert.com](http://www.burkert.com)

In case of special application conditions, please consult for advice. Subject to alterations © Christian Bürkert GmbH & Co. KG 1801/3\_EU-en\_00891685