



Cable Plug acc. to DIN EN 175301 -803, Form A

- UR and UL approved

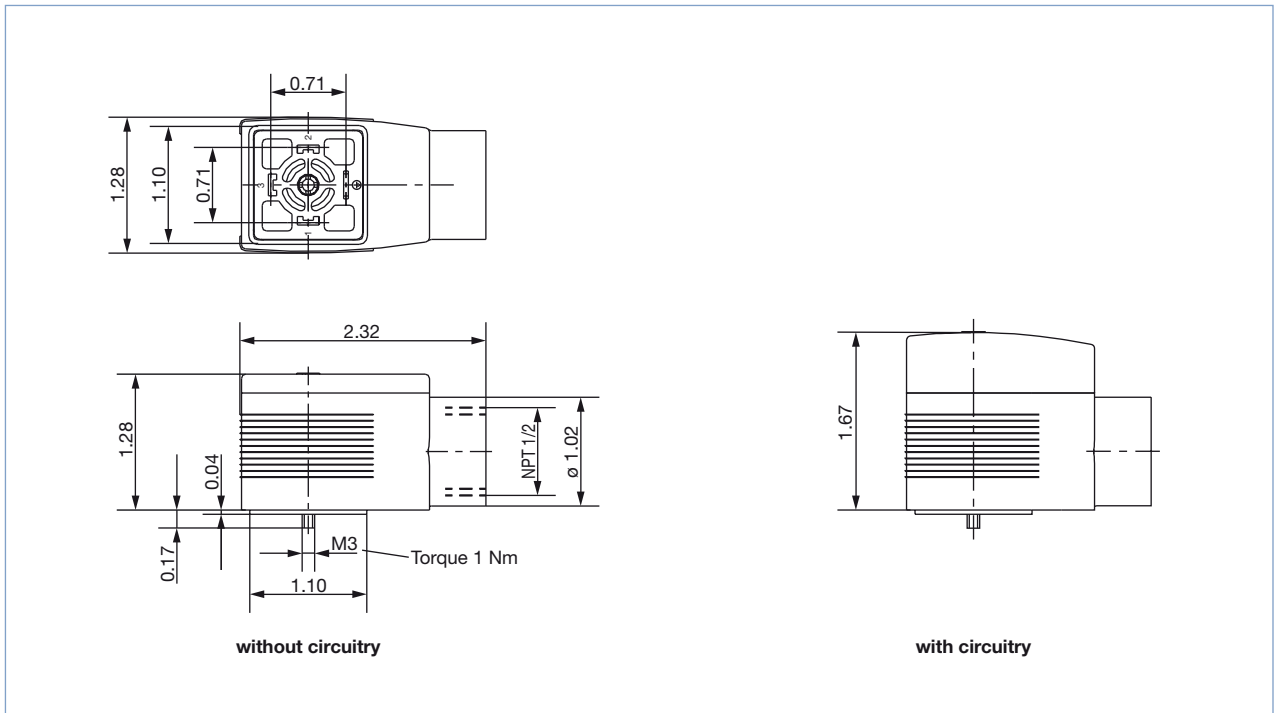
Plug connection Type 2509 for the connection of electrical components according to DIN EN 175301 -803 (previously DIN 43650, Form A).

The Type 2509 has a UR approval as component.



Technical data	
Body material	PA (polyamide)
Contact material	Copper alloy, silver-plated
Connection thread	½" NPT
Cable outlet	vertically to the plug bottom can be rotated by 4 × 90° after removal
Cross section area	≤ 0.118"
Isolation between cable plug and coil	NBR flat seal
Cable diameter	0.029 - 0.078 inches
Ambient temperature range	from -10 °C to 55 °C (+ 14 °C to 131 °F)
Poles	2 pin + protective ground
Rated voltage	0 to 250 V
Protection class	NEMA 4 (IP65)
Flammability class to UL 94	5 V

Dimensions [inches]



Ordering Chart

No circuitry (standard)

Voltage	Max. current	Article no.
0 - 250 V AC/DC	6 A	137943

DTS 1000010988 EN Version: F Status: RL (released | freigegeben | valide) printed: 10.02.2020

To find your nearest Bürkert facility, click on the orange box →

www.burkert.com

In case of special application conditions, please consult for advice.

Subject to alterations
© Christian Bürkert GmbH & Co. KG

1801/3_EU-en_00891685