



Cable plug - industry standard - connector shape B

- Degree of protection IP65
- Numerous variants



Product variants described in the data sheet may differ from the product presentation and description.

Type description

Plug-in connection for the connection of electrical components according to industry standard Form B.

Table of contents

1. General Technical Data	3
2. Dimensions	3
3. Product design and assembly	4
3.1. Product assembly	4
4. Ordering information	4
4.1. Bürkert eShop – Easy ordering and quick delivery.....	4
4.2. Bürkert product filter.....	4
4.3. Ordering chart.....	5

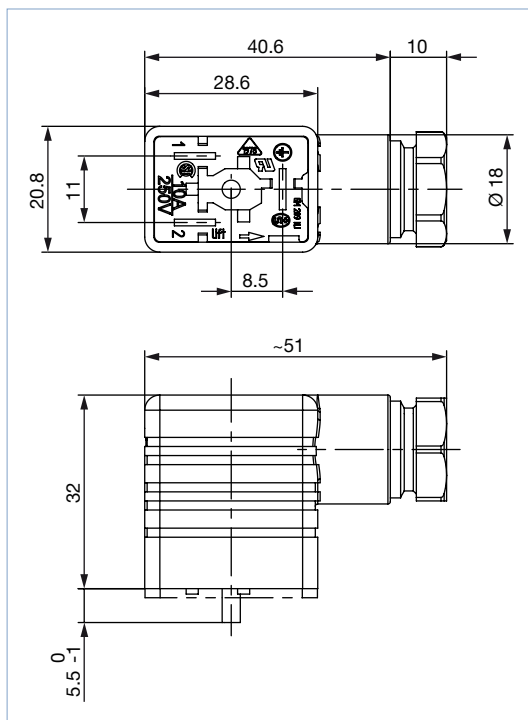
1. General Technical Data

Product properties	
Dimensions	Detailed information can be found in chapter "2. Dimensions" on page 3.
Material	
Body	Polyamide (without LED; black, with LED; transparent)
Contact	Brass, galvanised silver-plated
Flat seal	NBR
Cable diameter	4.5...7 mm
Cable outlet	Straight
Functional display	LED (red)
Cable glands	PG9
Performance data	
Temperature range	-40 °C...+90 °C
Electrical data	
Nominal voltage	0...250 V
Contact resistance	≤ 4 mΩ
Number of terminals	2 pins + protective earth
Process/Port connection & communication	
Electrical connection	Terminal screws (max. 0.75 mm ² with circuitry, max. 1.5 mm ² without circuitry)
Environment and installation	
Degree of protection	IP65

2. Dimensions

Note:

Dimensions in mm



3. Product design and assembly

3.1. Product assembly


Note:

The cable plug can be installed in a 180° rotation.

Assembly	Description
<p>Pressure screw</p> <p>Seal ring</p> <p>Pressure ring</p> <p>Body</p> <p>Contact insert</p> <p>Flat seal</p> <p>Tallow-drop screw M3 x 35</p>	<ul style="list-style-type: none"> • Remove contact insert • Insert cable through pressure screw • Wire cable according to connection plan • Snap in contact insert • Screw-on union nut • Push gasket on tag connectors • Push cable plug firmly onto tags • Secure with tallow-drop screw M3 x 35

4. Ordering information

4.1. Bürkert eShop – Easy ordering and quick delivery

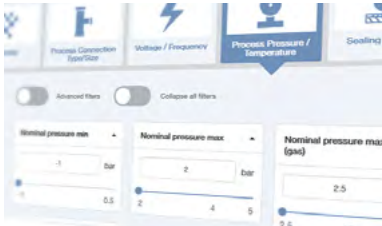


Bürkert eShop – Easy ordering and fast delivery

You want to find your desired Bürkert product or spare part quickly and order directly? Our online shop is available for you 24/7. Sign up and enjoy all the benefits.

[Order online now](#)

4.2. Bürkert product filter



Bürkert product filter – Get quickly to the right product

You want to select products comfortably based on your technical requirements? Use the Bürkert product filter and find suitable articles for your application quickly and easily.

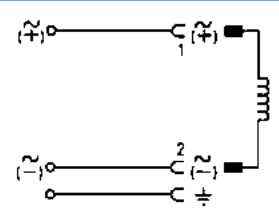
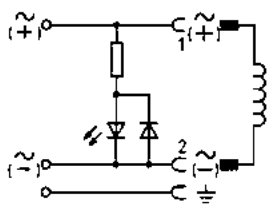
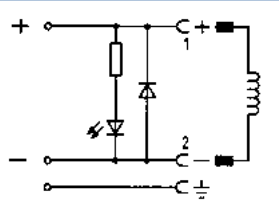
[Try out our product filter](#)

DTS 1000010986 EN Version: | Status: RL (released | freigegeben | validé) printed: 24.03.2020

4.3. Ordering chart

Note:

The delivery of a cable plug includes the flat seal and the fixing screw (thick-film passivated).

Circuit diagram	Voltage	Current rating	Article no. without cable
Without circuitry			
	0...250 V AC/DC	Max. 6 A	423845
With LED			
	24 V AC/DC	Max. 6 A	423849
	250 V AC/DC	Max. 6 A	423850
With LED and freewheeling diode			
	24 V DC	Max. 1.5 A	423851

DTS 1000010986 EN Version: | Status: RL (released | freigegeben | valide) printed: 24.03.2020

Bürkert – Close to You

For up-to-date addresses
please visit us at
www.burkert.com

DTS 1000010986 EN Version: | Status: RL (released | freigegeben | validé) printed: 24.03.2020

