



Cable Plug Form B Industrial standard

- Also available with LED indicator
- Protection class IP65
- Contact form 11 mm

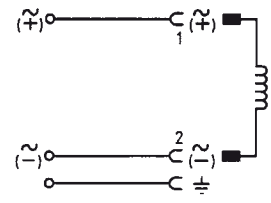

Plug for the connection of electrical components Form B Industrial standard.

Technical data	
Body material	Polyamide (without LED; black, with LED; transparent)
Contact material	Brass, galvanised silver-plated
Flat seal	NBR
Temperature range	-40 to +90 °C
Cable diameter	4.5 - 7 mm
Cable outlet	Straight
Functional display	LED, colour red
Nominal voltage	0 to 250 V
Contact resistance	≤ 4 mΩ
Electrical connection	Terminal screws max. 0.75 mm ² with circuitry (max. 1.5 mm ² without circuitry)
Protection class	IP65
Number of terminals	2 pins + protective earth
Cable glands	PG9

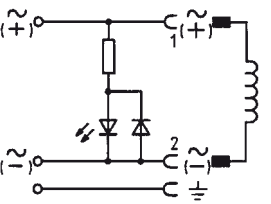


Ordering chart

The delivery of a cable plug includes the flat seal and the fixing screw (thick-film passivated).

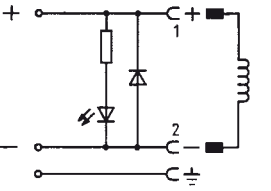

None (standard)

	Voltage	Current rating	Article no. without cable
	0 to 250 V AC/DC	max. 6 A	423845 

with LED

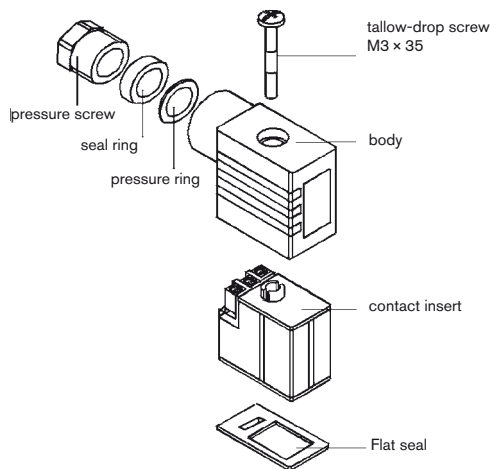
	Voltage	Current rating	Article no. without cable
	24 V AC/DC	max. 6 A	423849 
	250 V AC/DC	max. 6 A	423850 

with LED and freewheeling diode

	Voltage	Current rating	Article no. without cable
	24 V DC	max. 1.5 A	423851 

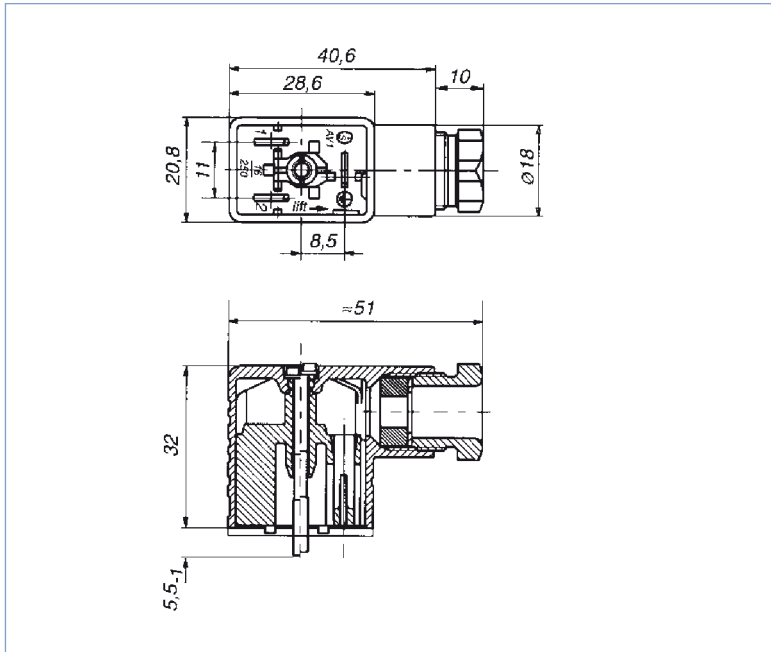
Mounting instructions

The cable plug can be installed in a 180° rotation.



- remove contact insert
- insert cable through pressure screw
- wire cable according to connection plan
- snap in contact insert
- screw-on union nut
- push gasket on tag connectors
- push cable plug firmly onto tags
- secure with tallow-drop screw M3 x 30

Dimensions [mm]



To find your nearest Bürkert facility, click on the orange box →

www.burkert.com