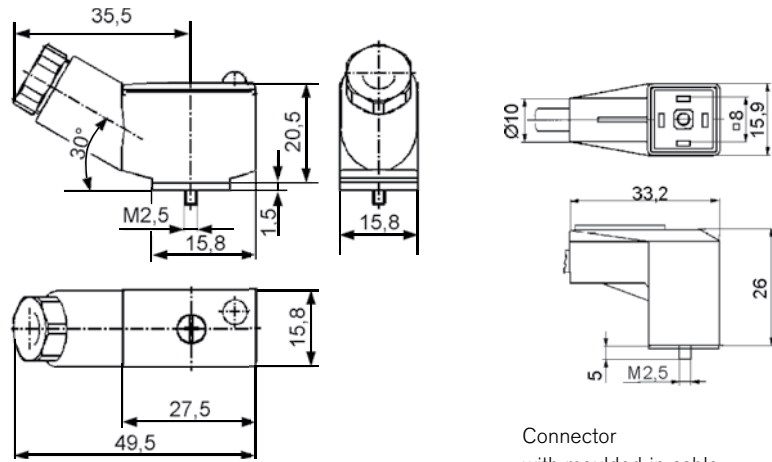


- Installation width 16 mm
- Protection class IP 65
- Numerous variations
- Also available with moulded-on cable connection
- Contact form 8 mm

Plug for the connection of electrical components according to DIN 43650, Form C.

Technical data	
Body material	Polyamide
Contact material	Brass, electro-silver-plated
Max. continuous temperature without cable with cable	194°F (+90°C) 176°F (+80°C)
Cable diameter	5 - 6 mm
Cable outlet without cable with cable	Oriented 30° to the plug face Straight
Functional display	LED, color yellow
Nominal voltage	0 to 250 V
Maximum current rating	With diode, 1 A Without circuitry, 3 A
Contact resistance	5 mΩ
Electrical connection	Terminal screws max. 0.75 mm ²
Protection class	IP 65
Insulation group	C
Number of terminals	2 pins + protective earth

Dimensions [mm]



Connector without cable with outlet downwards

Connector with moulded-in cable

Ordering chart

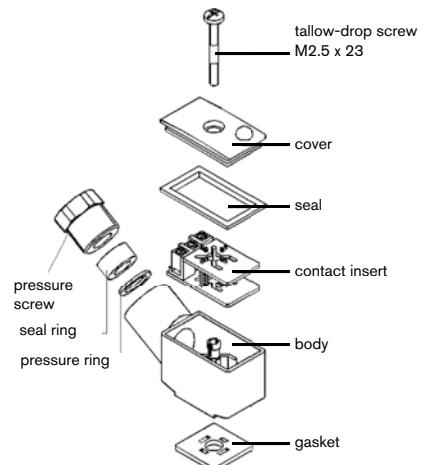
The delivery of a cable plug includes the flat seal and fixing screw.

Voltage	Current rating	Item no. without cable	Item no. with 2m cable
Without circuitry			
0 to 250 V/AC/DC	max. 3 A	008 353	423 862
With LED			
12 to 24 V/AC/DC	max. 3 A	008 402	423 863
100 to 120 V/AC/DC	max. 3 A	008 403	-
200 to 240 V/AC/DC	max. 3 A	008 404	-
With rectifier, varistor and LED			
12 to 24 V/AC/DC	max. 1 A	008 354	-
100 to 120 V/AC/DC	max. 1 A	008 355	-
200 to 240 V/AC/DC	max. 1 A	008 356	-

Ordering chart

The delivery of a cable plug includes the flat seal and fixing screw.

Voltage	Current rating	Item no. without cable
With LED and varistor		
12 to 24 V/AC/DC	max. 3 A	008 408
100 to 120 V/AC/DC	max. 3 A	008 409
200 to 240 V/AC/DC	max. 3 A	008 410
With pole protection, rectifier and LED		
12 to 24 V/DC	max. 1 A	008 411
With rectifier and varistor		
12 to 240 V/DC	max. 1.5 A	008 412



In case of special application conditions, please consult for advice.

We reserve the right to make technical changes without notice.

0602/1_US-en