



## 2/2 way Solenoid Valve Servo Operated for High Pressure

- Push-over solenoid system
- special versions, up to 250 bar, up to DN12
- stainless steel body

The servo-assisted Type 2400 valve has a servo-piston with a 2-way servo-control. It is designed for high pressures.

The speciality of this valve design lies in the layout of the seat and sealing element. An additional radial seal makes very good sealing possible.

The tapered sealing element of the servocontrol permits the switching of high pressure at relatively low coil power.

Technical data	
<b>Body material</b>	stainless steel, brass and brass, nickel-plated
<b>Valve internals</b>	stainless steel
<b>Sealing material</b>	PEEK/FKM; PCTFE/FKM; PTFE/FKM
<b>Media</b>	neutral gases and fluids
<b>Medium temperature</b>	
PEEK/FKM	-10 to +80 °C
PCTFE/FKM	-10 to +80 °C
PTFE/FKM	-10 to +80 °C
<b>Ambient temperature</b>	max. +55 °C
<b>Viscosity</b>	ca. 21 mm/s
<b>Operating voltage</b>	24/DC 24/220-230 V / 50 Hz other voltages on request
<b>Voltage tolerance</b>	± 10%
<b>Cycling rate</b>	ca. 80/min
<b>Duty cycle</b>	100% continuous rating
<b>Electrical connection</b>	Cable plug (part of the delivery)
<b>Protection class</b>	IP65 with cable plug
<b>Installation</b>	as required, preferably with actuator upright

Technical data

Orifice [mm]	K <sub>v</sub> value water [m/h]	Port connection	Pressure range		Electrical power consumption			Response times		Weight [kg]
			AC [bar]	DC [bar]		Inrush	Hold	Opening [ms]	Closing [ms]	
5.0	0.6	G ¼	1-250	1-200	AC	85 VA	48 VA/20 W	100	300	1.2
8.0	1.0	G ⅜	1-250	1-210				bis	bis	1.4
12.0	2.6	G ½	1-250	1-160	DC	20 W	20 W	200	500	1.95

K<sub>v</sub> value [m/h]: Flow rate value for water, measured at +20 °C and 1 bar pressure differential over a fully opened valve.

Pressure data [bar]: Overpressure with respect to atmospheric pressure

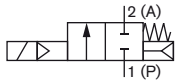
Response times [ms]: measured at valve outlet at 6 bar and +20 °C

Opening pressure build-up 0...90%

Closing: pressure relief 100...10%

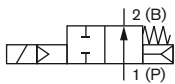
Circuit functions of the valve

Circuit function A



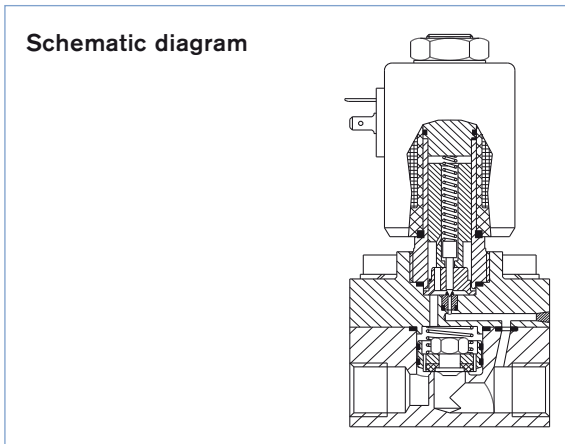
2/2 way servo-controlled solenoid valve, normally closed

Circuit function B

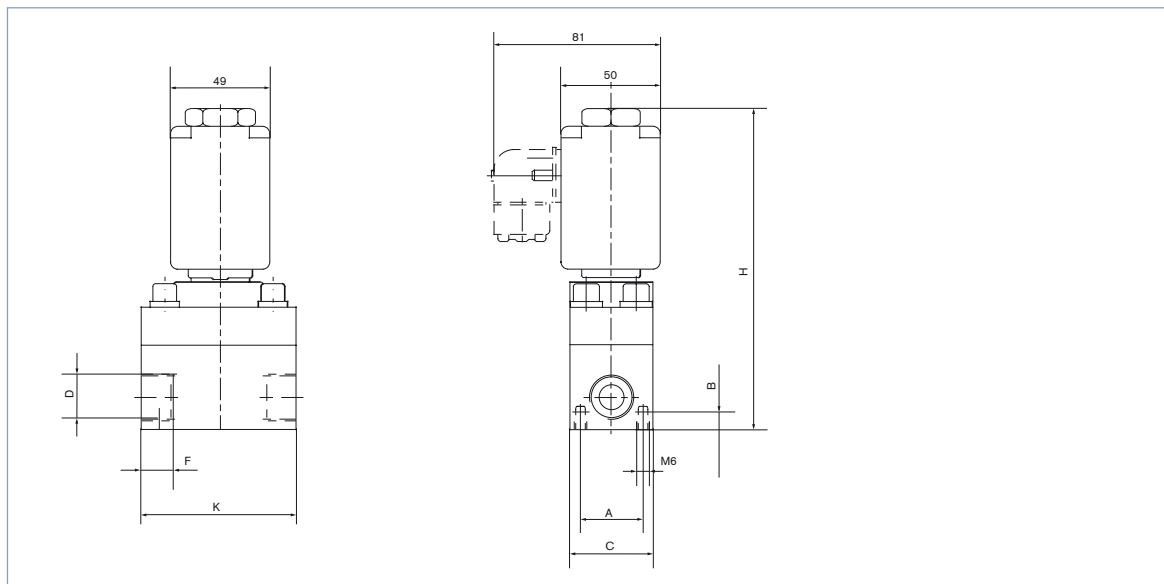


2/2 way servo-controlled solenoid valve, normally open

Schematic diagram



Dimensions [mm]



DN	D	A	B	C	F	H	K
5.0	G ¼	30	12	∅ 50	8	126	∅ 50
8.0	G ⅜	29	8	∅ 40	8	126	∅ 65
12.0	G ½	29	8	∅ 40	14	153	∅ 75

## Ordering chart for valves (other versions on request)

Circuit function	Orifice [mm]	Port connection	K <sub>v</sub> value water [m/h]	Pressure range [bar]	Body material	Seal material	Voltage/frequency [V/Hz]	Article no.
A	5.0	G ¼	0.6	1 - 200	Brass	PEEK/FKM	24/DC	002366
				1 - 250	Brass	PEEK/FKM	220 - 230/50	002367
	8.0	G ⅜	1.0	1 - 210	Brass	PEEK/FKM	24/DC	002369
				1 - 250	Brass	PEEK/FKM	24/50	132436
							230/50	002370
	12.0	G ½	2.6	1 - 250	Stainless steel	PCTFE/FKM	24/DC	000520
							24/50	134690
							220 - 230/50	000422
				1 - 160	Brass. nickel-plated	PTFE/FKM	24/DC	006725
							24/50	000284
220 - 230/50	000455							

- Circuit function B (normally open) and EEx ed IIC T4 model on request
- For spare part kit, please refer to Spare Part Catalogue.

To find your nearest Burkert facility, click on the orange box →

[www.buerkert.com](http://www.buerkert.com)