

Pneumatically operated zero dead volume T-Valve CLASSIC



- Zero dead volume body - no welds
- Hermetical separation of fluids from the operating mechanism by diaphragm
- Universal and robust actuators with modular accessory range
- Stainless steel body
- Quality certifications FDA/3A

Type 2032 can be combined with...



Type 3234



Type 8697
Feedback unit



Type 6012
Plunger valve



For process valves with decentralized automation see ELEMENT Type 2104



The Burkert Zero Deadleg T Valve is designed for control of ultra pure, sterile, aggressive or abrasive fluids. Enables especially optimal sampling, draining or diverting of critical process fluids. The valve body is machined from a single piece of block material (monoblock- no weld seam). The high quality diaphragms separate hermetically critical fluids from the actuator. The pneumatic actuator can be controlled by pneumatic pilot valves (single pilot valves, valve islands and control heads). Control function A, normally closed by spring return.

Technical data	
Orifice	DN 4-100
Body materials	<ul style="list-style-type: none"> • Stainless steel 1.4435 / 316 L • Stainless steel 1.4435BN2 / ASME BPE Fe < 0.5% / C ≤ 0.03%
Diaphragm materials	EPDM (AD), PTFE/EPDM (EA), advanced PTFE/EPDM (EU), Gylon®/EPDM laminated (ER), FKM (FF)
Actuator materials	PPS, PA
Pilot air ports	Stainless steel 1.4305
Surface finish (others on request)	<ul style="list-style-type: none"> • inside mechanical polished • inside electro polished <ul style="list-style-type: none"> • Ra ≤ 0,5 µm (ASME BPE SF1) (external Ra ≤ 1.6 µm) • Ra ≤ 0,38 µm (ASME BPE SF4 / DIN HE4) (external Ra ≤ 1.6 µm)
Medium temperature	EPDM (AD) -10 to +143 °C (steam sterilisation +150 °C for 60 min) PTFE/EPDM (EA) -10 to +130 °C (steam sterilisation +140 °C for 60 min) PTFE/EPDM (EU) -5 to +143 °C (steam sterilisation +150 °C for 60 min) GYLON®/EPDM laminated (ER) -5 to +130 °C (steam sterilisation +140 °C for 60 min) FKM (FF) 0 to +130 °C (not recommended for steam)
Ambient temperature	Actuator size < 100 mm +5 to +140 °C Actuator size 100-125 mm +5 to +90 °C (briefly up to +140 °C) Actuator size ≥ 175 mm -10 to +50 °C
Control medium	Neutral gases; air
Pilot pressure max.	max. 7 bar, see table on p. 2

Content

Valve specifications		System spec. On/Off CLASSIC		Request for quotation	
 Type 2032		 Type 8801-TA		Type 8801-TA	
Technical data & ordering info.	p. 1-8	Ordering info. & technical data	p. 9-12		p. 13

Technical data, *continued*

Port connections	
Weld end acc. to	EN ISO 1127 / ISO 4200, DIN 11850 Series 0 to 3, SMS 3008, ASME BPE, BS 4825
Clamp acc. to	ISO 2852, ASME BPE, DIN 32676
Installation for selfdraining operation	Actuator inclined 3 to 5° downwards

Orifice DN diaphragm [mm]	Actuator size Ø [mm]	Kv-value water [m ³ /h]	Pilot pressure [bar]	Max. operating pressure (medium) for seal material	
				EPDM, FKM [bar]	PTFE/EPDM, advanced PTFE/EPDM [bar]
4/6	40	1.0	5.0-7	10	10
8	40	1.0	5.0-7	10	10
15	50	4.0	5.0-7	8.5	5
	63	4.5	5.0-7	10	10
20	63	7.0	5.5-7	10	5
	80	7.5	5.0-7	10	10
25	63	12.0	5.0-7	3	–
	80	12.0	5.5-7	10	7.5
40	100	30.0	5.5-7	6.5	6
	125	30.5	5.5-7	10	10
50	100	51.5	5.5-7	4.5	2.5
	125	51.5	5.5-7	8	7
80	225	160.0	5.0-6	10	10
100	225	235	5.0-6	8	4

Approvals

Suitability for foodstuffs / sterile applications

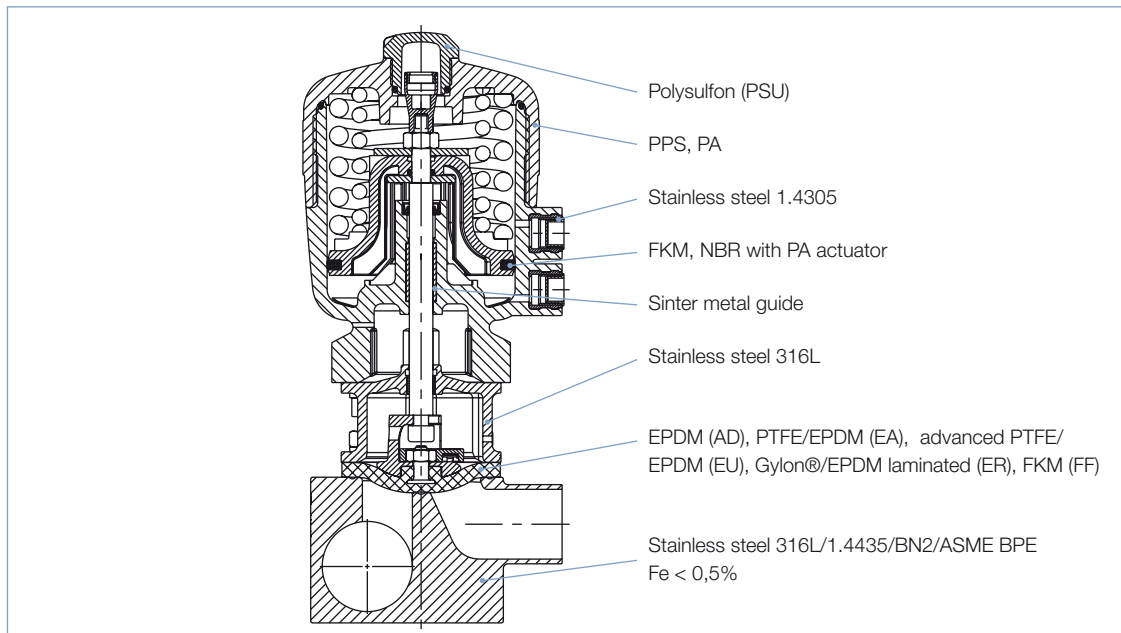


- The composition of the EPDM (AD), PTFE/EPDM (EA), advanced PTFE/EPDM (EU) and GYLON®/EPDM laminated (ER) diaphragms corresponds to the Code of Federal Regulations, published by the FDA (Food and Drug Administration, USA).



- The composition of the EPDM (AD), PTFE/EPDM (EA), advanced PTFE/EPDM (EU) and GYLON®/EPDM laminated (ER) diaphragms is suitable for the application with food and beverage (acc. to EC-Regulation 1935/2004/EC)
- The composition of the EPDM (AD), PTFE/EPDM (EA), advanced PTFE/EPDM (EU) and GYLON®/EPDM laminated (ER) diaphragms are approved acc. USP Class VI
- Approval according to TA-air (Port size DN4-50)

Materials



Example of available diaphragm materials

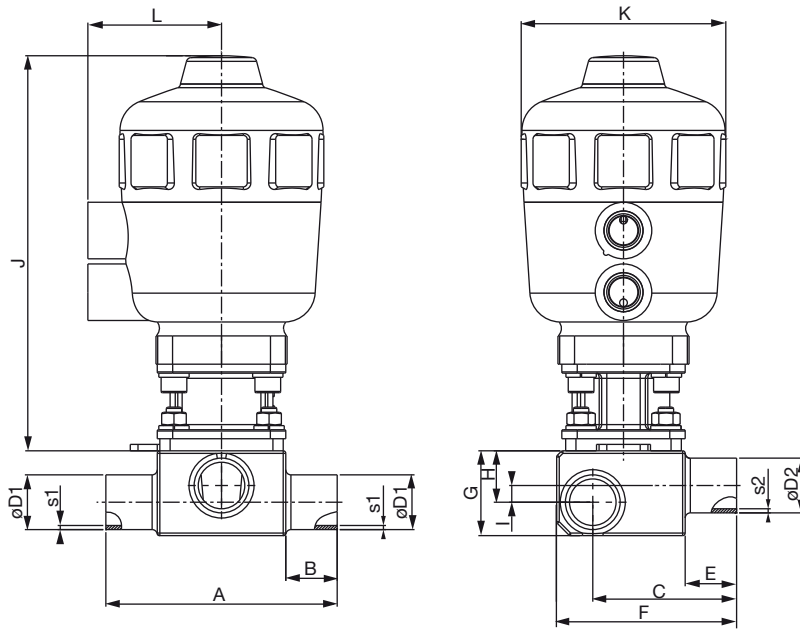
Developed to handle the unique challenges of hygienic and sterile applications, Bürkert offers diaphragms with precise material formula and physical tolerances. Bürkert diaphragms are available in a wide range of materials which have been proven in food & beverage, biotechnology, pharmaceutical and cosmetic industry applications. Diaphragms are tested during development and production to ensure reliability in critical processing environments.

- EPDM (AD)
- PTFE/EPDM (EA)
- advanced PTFE/EPDM (EU)
- FKM (FF)
- Gylon®/EPDM laminated (ER)



Dimensions [mm]

Welded body acc. to EN ISO 1127/ISO 4200



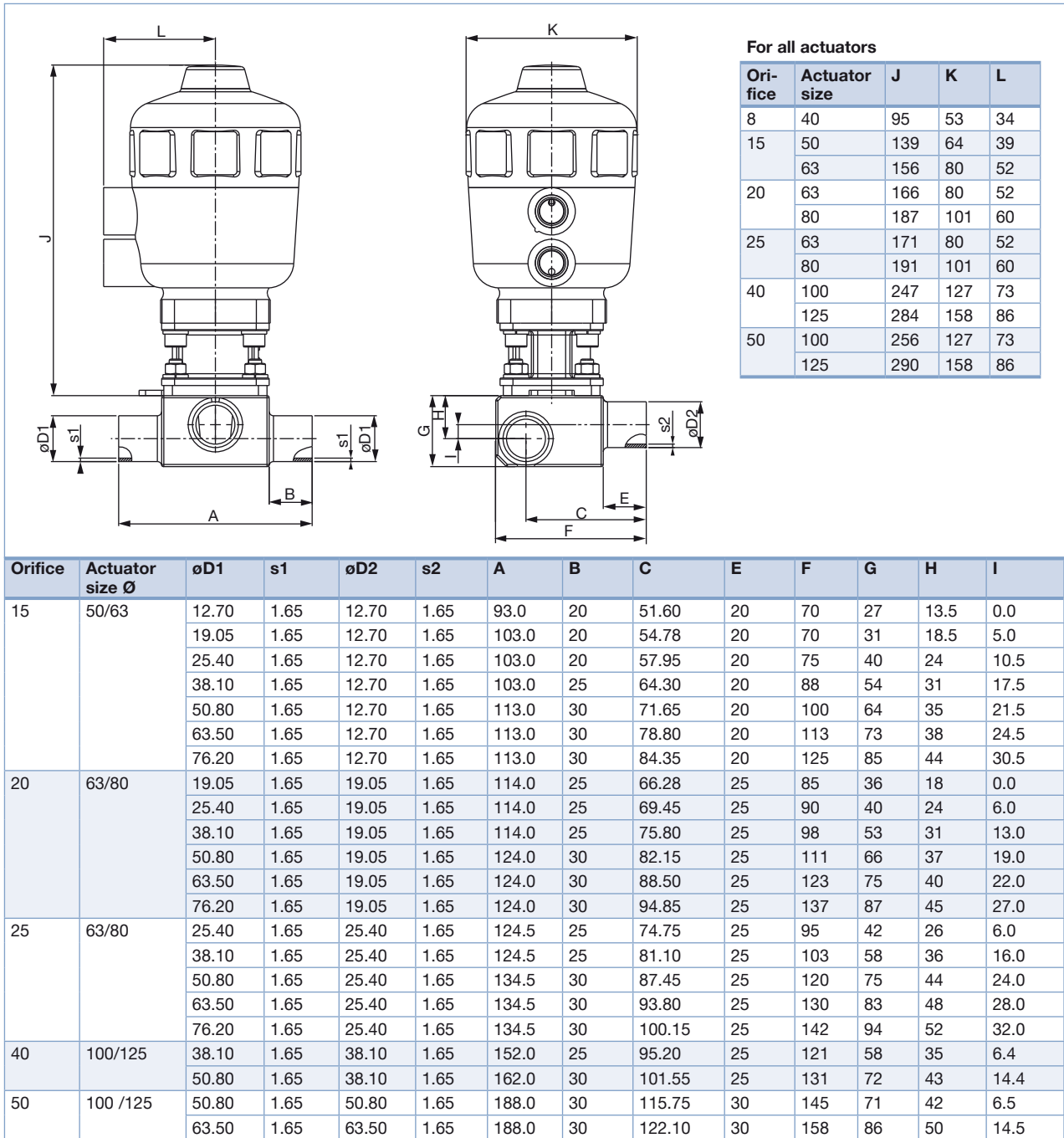
For all actuators

Orifice	Actuator size	J	K	L	
8	40	95	53	34	
	15	50	139	64	39
		63	156	80	52
		80	187	101	60
20	63	166	80	52	
	80	187	101	60	
25	63	171	80	52	
	80	191	101	60	
40	100	247	127	73	
	125	284	158	86	
50	100	256	127	73	
	125	290	158	86	

Orifice	Actuator size Ø	øD1	s1	øD2	s2	A	B	C	E	F	G	H	I
8	40	17.2	1.6	17.2	1.6	78.0	20	49.00	20	60	29	18	8.0
		21.3	1.6	17.2	1.6	78.0	20	51.05	20	64	34	21	11.0
		26.9	1.6	13.5	1.6	88.0	25	53.85	20	70	38	23	13.0
		33.7	2.0	13.5	1.6	88.0	25	56.85	20	76	45	26	16.0
		42.4	2.0	13.5	1.6	88.0	25	61.20	20	84	52	29	19.0
		42.4	2.0	17.2	1.6	88.0	25	61.20	20	84	52	29	19.0
15	50 / 63	48.3	2.0	13.5	1.6	88.0	25	64.15	20	90	57	31	21.0
		13.5	1.6	13.5	1.6	93.0	20	52.05	20	70	27	17	4.5
		17.2	1.6	13.5	1.6	93.0	20	53.90	20	70	31	18	4.5
		21.3	1.6	21.3	1.6	93.0	20	55.95	20	71	35	21	6.5
		26.9	1.6	21.3	1.6	103.0	25	58.75	20	78	42	25	11.5
		33.7	2.0	21.3	1.6	103.0	25	62.75	20	82	47	28	14.5
		42.4	2.0	21.3	1.6	103.0	25	67.10	20	91	56	32	18.5
		48.3	2.0	13.5	1.6	103.0	25	69.05	20	97	61	34	20.5
		48.3	2.0	21.3	1.6	103.0	25	69.05	20	97	63	35	21.5
		60.3	2.0	13.5	1.6	113.0	30	76.05	20	109	71	38	24.5
20	63 / 80	60.3	2.0	21.3	1.6	113.0	30	76.05	20	109	72	38	24.5
		76.1	2.0	13.5	1.6	113.0	30	83.95	20	125	85	44	30.5
		76.1	2.0	21.3	1.6	113.0	30	83.95	20	125	85	44	30.5
		88.9	2.3	13.5	1.6	113.0	30	90.05	20	140	99	52	38.5
		26.9	1.6	26.9	1.6	114.0	25	70.25	25	88	42	24	6.0
		33.7	2.0	26.9	1.6	114.0	25	73.25	25	94	48	28	10.0
		42.4	2.0	26.9	1.6	114.0	25	78.60	25	102	57	33	15.0
		48.3	2.0	26.9	1.6	114.0	25	80.55	25	108	63	35	17.0
25	63 / 80	60.3	2.0	26.9	1.6	124.0	30	86.55	25	121	74	40	22.0
		76.1	2.0	26.9	1.6	124.0	30	94.45	25	136	86	45	27.0
		33.7	2.0	33.7	2.0	124.5	25	78.55	25	98	53	33	13.0
40	100 / 125	42.4	2.0	33.7	2.0	124.5	25	82.90	25	107	62	38	18.0
		76.1	2.0	33.7	2.0	134.5	30	99.75	25	142	94	52	32.0
		42.4	2.0	42.4	2.0	152.0	25	97.00	25	122	62	37	8.4
50	100 / 125	48.3	2.0	48.3	2.0	152.0	25	99.95	25	128	68	41	12.4
		60.3	2.0	48.3	2.0	162.0	30	105.95	25	140	82	48	19.4
		76.1	2.0	48.3	2.0	162.0	30	113.85	25	155	97	55	26.4
50	100 / 125	60.3	2.0	60.3	2.0	188.0	30	120.15	30	154	82	48	12.5
		76.1	2.0	60.3	2.0	188.0	30	128.05	30	172	100	56	20.5
		88.9	2.3	60.3	2.0	188.0	30	134.15	30	183	110	61	25.5

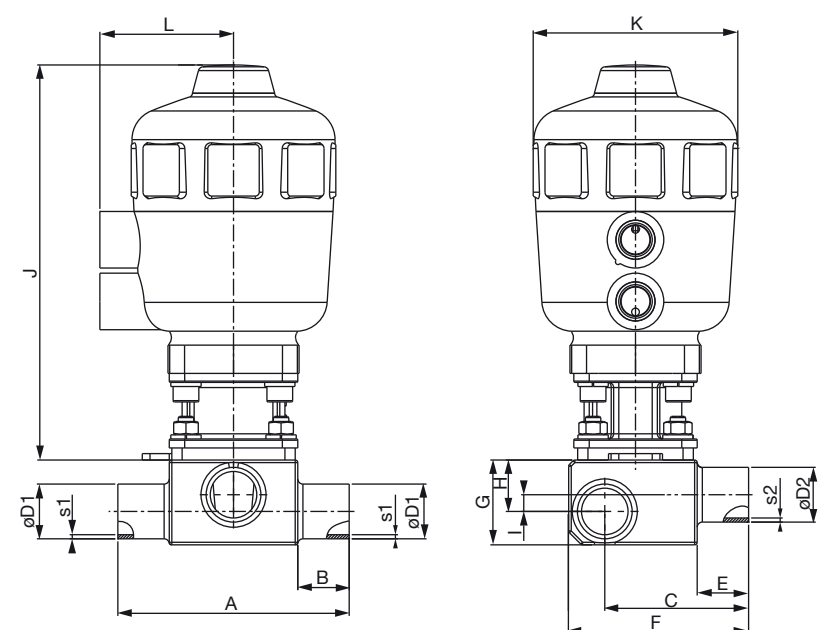
Dimensions [mm], *continued*

Welded body acc. to ASME BPE



Dimensions [mm], *continued*

Welded body acc. to DIN 11850 Series 0 and 2

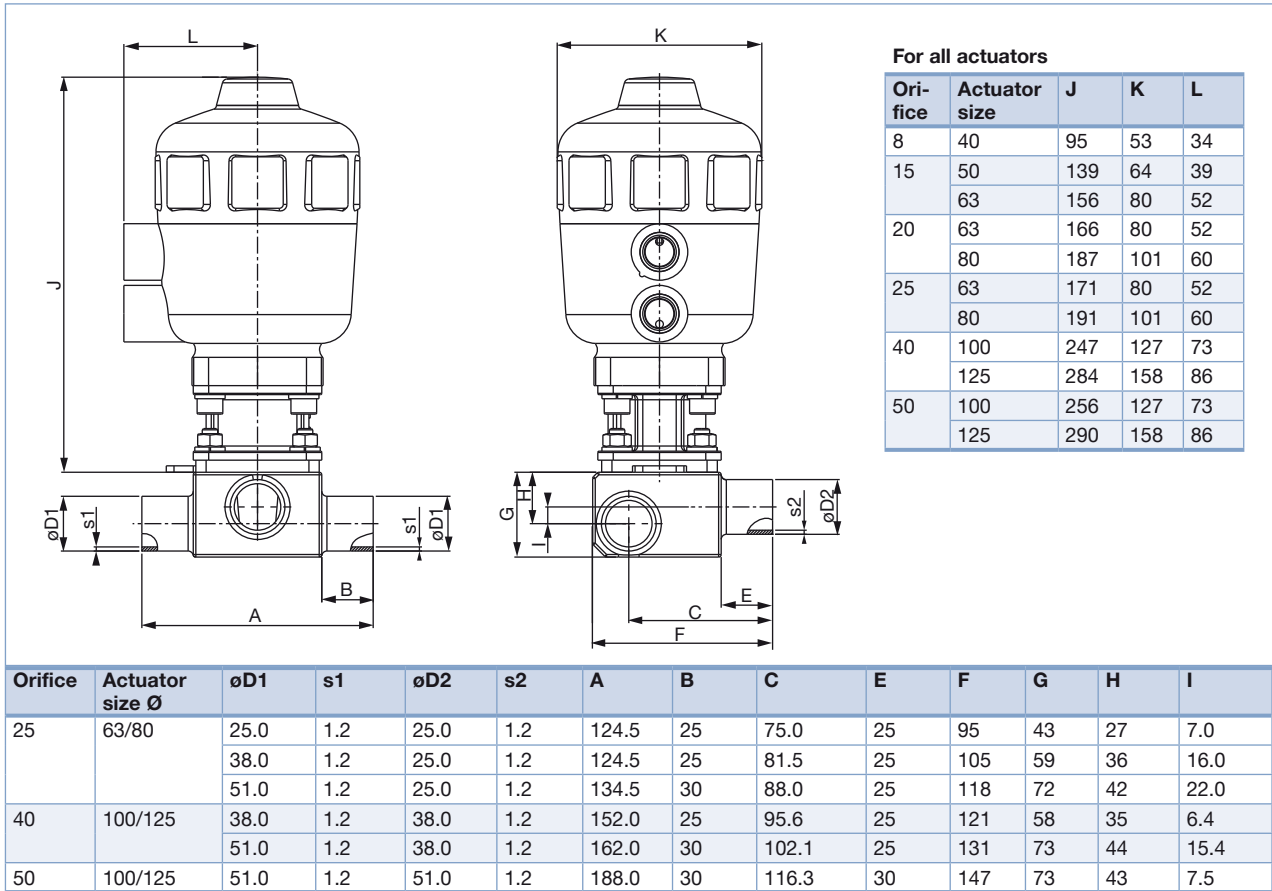


For all actuators				
Ori- fice	Actuator size	J	K	L
8	40	95	53	34
15	50	139	64	39
	63	156	80	52
20	63	166	80	52
	80	187	101	60
25	63	171	80	52
	80	191	101	60
40	100	247	127	73
	125	284	158	86
50	100	256	127	73
	125	290	158	86

Orifice	Actuator size Ø	øD1	s1	øD2	s2	A	B	C	E	F	G	H	I
Series 0													
08	40	10.0	1.0	10.0	1.0	78.0	20	43.0	20	60	17	6.5	0.0
		40.0	1.5	6.0	1.0	88.0	25	60.5	20	83	51	29	19.0
		40.0	1.5	10.0	1.0	88.0	25	60.5	20	83	51	29	19.0
		52.0	1.5	6.0	1.0	98.0	30	66.5	20	95	60	32	22.0
25	63/80	28.0	1.5	28.0	1.5	124.5	25	76.2	25	95	46	29	9.0
		52.0	1.5	28.0	1.5	134.5	30	88.2	25	117	71	42	22.0
40	100/125	28.0	1.5	34.0	1.5	152.0	25	90.3	25	122	58	32	3.4
		52.0	1.5	34.0	1.5	162.0	30	102.3	25	132	75	45	16.4
50	100/125	52.0	1.5	52.0	1.5	188.0	30	116.5	30	147	73	43	7.5
Series 2													
15	50/63	19.0	1.5	19.0	1.5	93.0	20	54.9	20	70	33	20	6.5
		23.0	1.5	19.0	1.5	103.0	20	56.9	20	72	37	22.5	8.5
		35.0	1.5	19.0	1.5	103.0	25	62.9	20	84	50	29	14.5
		41.0	1.5	19.0	1.5	103.0	25	65.9	20	91	56	32	18.5
20	63/80	23.0	1.5	23.0	1.5	114.0	25	68.4	25	88	42	21	3.0
		35.0	1.5	23.0	1.5	114.0	25	74.4	25	95	50	29	11.0
		41.0	1.5	23.0	1.5	114.0	25	77.4	25	101	56	32	14.0
25	63/80	29.0	1.5	29.0	1.5	124.5	25	76.7	25	98	48	30	10.0
40	100/125	41.0	1.5	41.0	1.5	152.0	25	96.8	25	121	62	37	8.4
50	100/125	53.0	1.5	53.0	1.5	188.0	30	117.0	30	147	74	44	8.5

Dimensions [mm], *continued*

Welded body acc. to SMS 3008

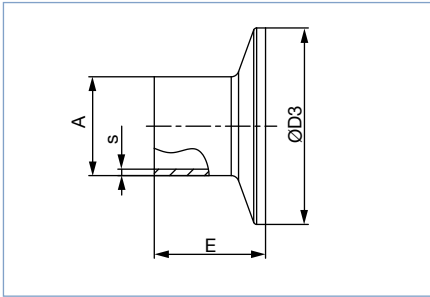


For all actuators

Ori- fice	Actuator size	J	K	L
8	40	95	53	34
15	50	139	64	39
	63	156	80	52
20	63	166	80	52
	80	187	101	60
25	63	171	80	52
	80	191	101	60
40	100	247	127	73
	125	284	158	86
50	100	256	127	73
	125	290	158	86

Dimensions [mm], *continued*

Clamp body



ASME BPE

Orifice		A	s	D3	E
[mm]	[inch]				
08	1/4"	6.35	0.89	25.0	28.6
10	3/8"	9.53	0.89	25.0	28.6
15	1/2"	12.7	1.65	25.0	28.6
20	3/4"	19.05	1.65	25.0	28.6
25	1"	25.4	1.65	50.5	28.6
40	1 1/2"	38.1	1.65	50.5	28.6
50	2"	50.8	1.65	64.0	28.6
65	2 1/2"	63.5	1.65	77.5	28.6
80	3"	76.2	1.65	91.0	28.6
100	4"	101.6	2.11	119.0	28.6

DIN 32676 series A (DIN pipe)

Orifice [mm]	A	s	D3	E
10	13	1.5	34.0	18
15	19	1.5	34.0	18
20	23	1.5	34.0	18
25	29	1.5	50.5	21.5
32	35	1.5	50.5	21.5
40	41	1.5	50.5	21.5
50	53	1.5	64.0	21.5
65	70	2.0	91.0	28

DIN 32676 series B (ISO pipe)

Orifice [mm]	A	s	D3	E
8	13.5	1.6	25.0	28.6
8	13.5	1.6	34.0	28.6
10	17.2	1.6	34.0	28.6
15	21.3	1.6	34.0	28.6
15	21.3	1.6	50.5	28.6
20	26.9	1.6	50.5	28.6
25	33.7	2	50.5	28.6
32	42.4	2	50.5	28.6
40	48.3	2	64.0	28.6
50	60.3	2	77.5	28.6
65	76.1	2	91.0	28.6
100	114.3	2.3	130.0	28.6

SMS

Orifice [mm]	A	s	D3	E
25	25	1.2	50.5	21.5
40	38	1.2	50.5	28.6
50	51	1.2	64.0	28.6

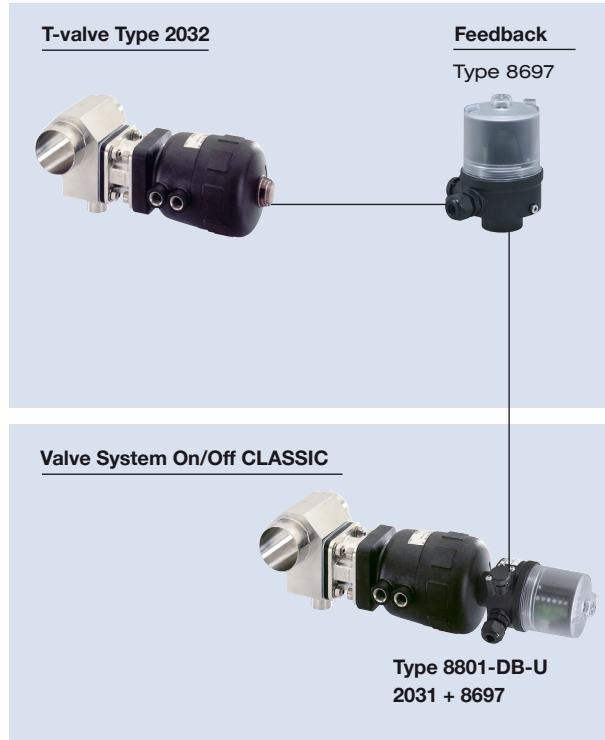
Ordering information for valve system On/Off CLASSIC Type 8801-TA

An **T-valve Type 2031** can be combined with the **feedback Type 8697** to form a **valve system On/Off CLASSIC**.

The valve system On/Off CLASSIC is composed of:

- a feedback **Type 8697** (see separate datasheet) [More info.](#)
- an diaphragm valve **Type 2032** (see separate datasheet) [More info.](#)

For the configuration of further valve systems please use the "Request for quotation" on p. 11-13.
You order two components and receive a complete assembled and certified valve.



Electrical position feedback

[More info.](#)



Type 8697

Actuator size 40 to 225

The position feedback Type 8697 is designed for integrated mounting on CLASSIC series 20XX process valves suiting the requirements of hygienic process environment Mechanical or inductive limit switches register the position of the valve.

Features

- Compact design
- LED position indicator
- Mechanical or inductive limit switches for end position registering
- Easy to clean chemically resistant housing featuring IP65 / IP67, 4X Rating
- Optional intrinsically safe version acc. to ATEX

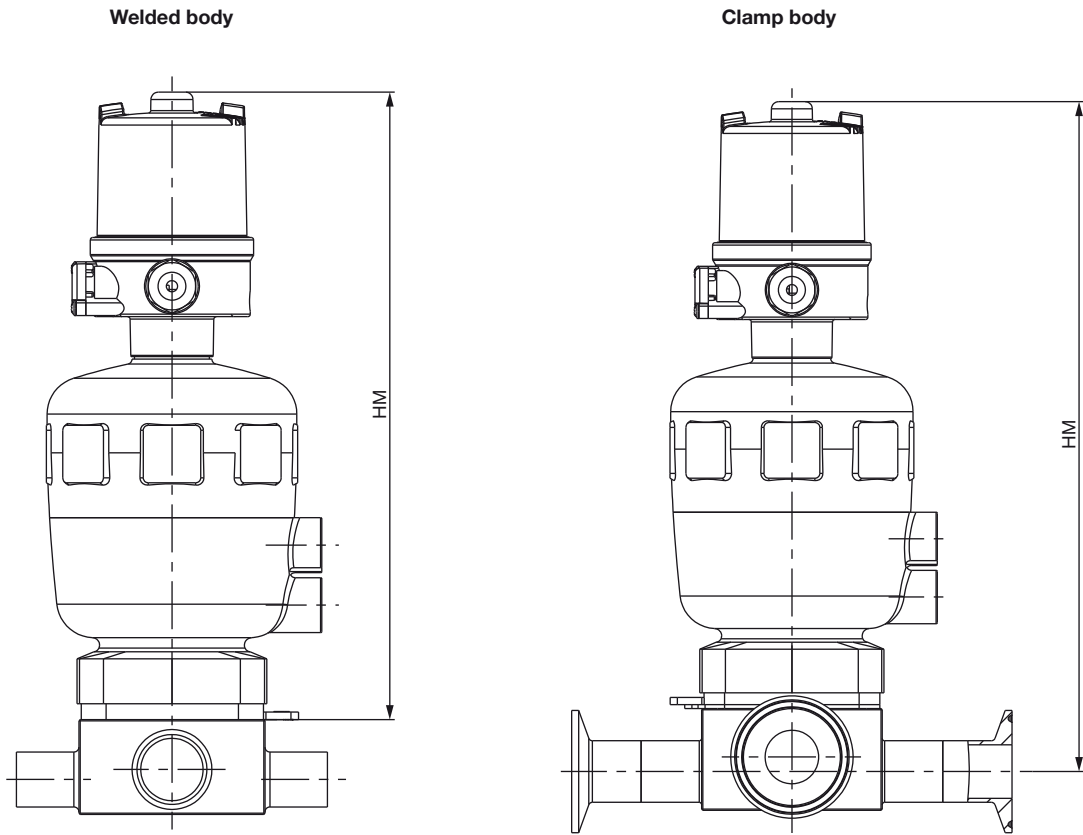
Benefits

- Easy and quick installation
- High level of signal reliability thanks to self adjusting limit switches
- Signal safety through the automatic adjustment of the limit switches
- Minimised space requirement in the plant piping for more flexibility in plant design

Click on the orange box „More info“... you will come to our website for the resp. product where you can download the data sheet.

Dimensions for valve system On/Off Classic Type 8801-TA [mm]

Dimensions valve system On/Off Classic Type 8803-TA with electrical position feedback Type 8697



Port Connection [mm]	Actuator size ϕ [mm]	Welde end EN ISO 1127/ ISO 4200 HM [mm]	Welde end ASME BPE	Weld end DIN 11850 Reihe 0 u. 2	Weld end SMS 3008	Clamp
8	40	195.9	195.9	195.9	195.9	195.9
15	50	233.9	233.9	233.9	233.9	233.9
	63	250.9	250.9	250.9	250.9	250.9
20	63	260.9	260.9	260.9	260.9	260.9
	80	281.9	281.9	281.9	281.9	281.9
25	63	265.9	265.9	265.9	265.9	265.9
	80	285.9	285.9	285.9	285.9	285.9
40	100	341.9	341.9	341.9	341.9	341.9
	125	378.9	378.9	378.9	378.9	378.9
50	100	350.9	350.9	350.9	350.9	350.9
	125	384.9	384.9	384.9	384.9	384.9

Valve system On/Off Classic Type 8801-TA/8803-TA – request for quotation

Please fill out and send to your nearest Bürkert facility* with your inquiry or order

Company	Contact person
Customer no.	Department
Address	Tel./Fax
Postcode/town	E-Mail

= mandatory fields to fill out

Quantity

Required delivery date

Operating data

Pipe dimensions

Main tube $\phi D1 \times s1$

Outlet tube $\phi D2 \times s2$

Clamp main tube

Clamp outlet

Pipe material

Surface finish Ra int.

Process medium

Type of media

Liquid

Steam

Gas

Flow rate (Q, Q_N, W)¹⁾

nominal

unit

Temperature at valve inlet T1

Absolute pressure at valve inlet P1

Absolute pressure at valve outlet P2

Steam pressure P_v

¹⁾ standard unit:
Liquid Q = m³/h;
Steam W = kg/h;
Gas Q_N = Nm³/h

Valve features

Specification key

automatically transferred from last page

go to page

Automation unit features

Click on the orange box „More info“... you will come to our website for the resp. product where you can download the data sheet.

Electrical position feedback

Type 8697

For actuator size 40 to 225

More info.



- LED position indicator
- Mechanical or inductive limit switches for end position registering
- Housing with IP65/IP67, 4X rating protection
- Optional intrinsically safe version acc. to ATEX / IECEx

Position feedback switches

- Micro switch 24V DC
- Micro switch 50 – 225 V DC/AC
- Inductive switch 3-wire PNP
- Inductive switch 2-wire NAMUR
- Inductive switch 2-wire 24V DC

Electrical connection

- Cable gland
- M12 connector
(applicable only with inductive switch 3-wire PNP)

Number of Position feedback switches

2x

Approval

- ATEX cat. 3GD, IECEx
- ATEX cat. 2DG, IECEx
- without

Valve system On/Off Classic Type 8801-TA/8803-TA – request for quotation , *continued*

Valve accessories	
Pilot valve	Stroke limitation
<input type="checkbox"/> Pilot valve	<input type="checkbox"/> Stroke limitation
Power supply <input type="text"/>	<input type="checkbox"/> Min./max. stroke limitation , with visual position indicator
	<input type="checkbox"/> Max. stroke limitation , without visual position indicator
Please specify Article no. if known: <input type="text"/>	Please specify Article no. if known: <input type="text"/>

Certifications
<input type="checkbox"/> Attestation of compliance with the order EN-ISO 10204 2.1 (Article no. 440788)
<input type="checkbox"/> Test report EN-ISO 10204 2.2 (Article no. 803722)
<input type="checkbox"/> Certification of Conformity for Raw Material EN-ISO 10204 3.1 (included in delivery)
<input type="checkbox"/> FDA - USP certificate

Comment / sketch

Valve features

Example

A 15 AD B VH SA42 SA42 D E NO19 + NO14

Specification key

Please make a choice

CONTROL FUNCTION

A	normally closed by spring action
B	normally open by spring action
I	double acting

DIAPHRAGM SIZE

4	25
6	40
8	50
15	80
20	100

DIAPHRAGM MATERIAL

AD	EPDM
EA	PTFE/EPDM
EU	advanced PTFE/EPDM
ER	Gylon®/EPDM laminiert
FF	FKM

PRODUCTION OF BODY

B	Monoblock
---	-----------

BODY MATERIAL

VH	1.4435/AISI 316L
VI	1.4435BN2/ASME BPE

VARIABLE CODES

Surface finish external		
-	clamped Ra ≤ 1.6 µm	standard
NO19	mechanical polished Ra ≤ 1.6 µm	
NO02	mechanical polished Ra ≤ 0.76 µm	
NO28	electro polished Ra ≤ 1.6 µm	
NO15	electro polished Ra ≤ 0.76 µm	
Surface finish, internal		
NO14	mechanical polished Ra ≤ 0.5 µm (ASME BPE SF1)	standard
NO06	mechanical polished Ra ≤ 0.76 µm (ASME BPE SF3 / DIN H2)	
NO17	electro polished Ra ≤ 0.38 µm (ASME BPE SF4 / DIN HE4)	standard
NO16	electro polished Ra ≤ 0.6 µm (ASME BPE SF6)	
Certificate		
NK52	3.1 Certificate	

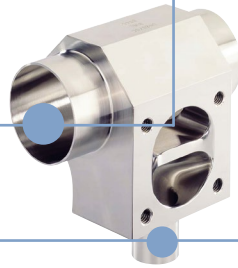
ACTUATOR SIZE ¹⁾

C	ø 40 mm
D	ø 50 mm
E	ø 63 mm
F	ø 80 mm
G	ø 100 mm
H	ø 125 mm
K	ø 175 mm
L	ø 225 mm

¹⁾ for technical spec. see table, page 2

ACTUATOR MATERIAL

C	PA (for actuator sizes ø175/225 mm)
D	PPS



øD1 main tube connection

øD2 outlet tube connection

Orifice	DIN EN ISO 1127 ISO 4200 DIN 11866 series B	SMS 3008	DIN 11850 series 0	DIN 11850 series 1 DIN EN 10357 series B	DIN 11850 series 2 DIN 11866 series A DIN EN 10357 series A	DIN 11850 series 3	BS 4825	ASME BPE DIN 11866 series C
DN 4			SC40 - 6.0x1.0					
DN 6	1/8"	SA78 - 10.2x1.6	SC41 - 8.0x1.0					SA89 - 3.17x0.56
DN 8	1/4"	SA40 - 13.5x1.6	SC42 - 10.0x1.0				SODB - 6.35x1.2	SA90 - 6.35x0.89
DN 10	3/8"	SA41 - 17.2x1.6		SF40 - 12.0x1.0	SD40 - 13.0x1.5	SE40 - 14.0x2.0	SODC - 9.53x1.2	SA91 - 9.53x0.89
DN 15	1/2"	SA42 - 21.3x1.6	SC43 - 18.0x1.5	SF41 - 18.0x1.0	SD42 - 19.0x1.5	SE42 - 20.0x2.0	SODD - 12.7x1.2	SA92 - 12.7x1.65
DN 20	3/4"	SA43 - 26.9x1.6	SC44 - 22.0x1.5	SF42 - 22.0x1.0	SD43 - 23.0x1.5	SE43 - 24.0x2.0	SODE - 19.05x1.2	SA93 - 19.05x1.65
DN 25	1"	SA44 - 33.7x2.0	SA60 - 25.0x1.2	SC45 - 28.0x1.5	SF43 - 28.0x1.0	SD44 - 29.0x1.5	SE44 - 30.0x2.0	SODF - 25.4x1.65
DN 32	1 1/4"	SA45 - 42.4x2.0	SA61 - 33.7x1.2	SC46 - 34.0x1.5	SF44 - 34.0x1.0	SD45 - 35.0x1.5	SE45 - 36.0x2.0	
DN 40	1 1/2"	SA46 - 48.3x2.0	SA62 - 38.0x1.2	SC47 - 40.0x1.5	SF45 - 40.0x1.0	SD46 - 41.0x1.5	SE46 - 42.0x2.0	SODH - 38.1x1.65
DN 50	2"	SA47 - 60.3x2.0	SA63 - 51.0x1.2	SC48 - 52.0x1.5	SF46 - 52.0x1.0	SD47 - 53.0x1.5	SE47 - 54.0x2.0	SODI - 50.8x1.65
DN 65	2 1/2"	SA48 - 76.1x2.0	SA64 - 63.5x1.6			SD48 - 70.0x2.0		SODJ - 63.5x1.65
DN 80	3"	SA49 - 88.9x2.3	SA65 - 76.1x1.6			SD49 - 85.0x2.0		SODK - 76.2x1.65
DN 100	4"	SA39 - 114.3x2.3	SA66 - 101.6x2.0			SD50 - 104.0x2.0		SODL - 101.6x2.11
Orifice	Clamp 34.0 similar DIN 32676 series B (ISO-tube)	DIN 32676 Reihe A (DIN-Rohr)	DIN 32676 Reihe B (ISO-Rohr)	ASME BPE	BS 4825 Clamp BS 4825-3 Rohr BS 4825-1			
DN 8	1/4"	TC51 - 13.5x1.6 Cl: 34.0	TD40 - 10.0x1.0 Cl: 25.0	TC40 - 13.5x1.6 Cl: 25.0	TG50 - 6.35x0.89 Cl: 25.0	TH40 - 6.35x1.2 Cl: 25.0		
DN 10	3/8"	TC41 - 17.2x1.6 Cl: 34.0	TD41 - 13.0x1.5 Cl: 34.0	TC53 - 17.2x1.6 Cl: 25.0	TG01 - 9.53x0.89 Cl: 25.0	TH41 - 9.53x1.2 Cl: 25.0		
DN 15	1/2"	TC42 - 21.3x1.6 Cl: 34.0	TD42 - 19.0x1.5 Cl: 34.0	TC52 - 21.3x1.6 Cl: 50.5	TG02 - 12.7x1.65 Cl: 25.0	TH42 - 12.7x1.2 Cl: 25.0		
DN 20	3/4"		TD43 - 23.0x1.5 Cl: 34.0	TC43 - 26.9x1.6 Cl: 50.5	TG03 - 19.05x1.65 Cl: 25.0	TH43 - 19.05x1.2 Cl: 25.0		
DN 25	1"		TD44 - 29.0x1.5 Cl: 50.5	TC44 - 33.7x2.0 Cl: 50.5	TG04 - 25.4x1.65 Cl: 50.5	TG04 - 25.4x1.65 Cl: 50.5		
DN 40	1 1/2"		TD46 - 41.0x1.5 Cl: 50.5	TC46 - 48.3x2.0 Cl: 64.0	TG05 - 38.1x1.65 Cl: 50.5	TG05 - 38.1x1.65 Cl: 50.5		
DN 50	2"		TD47 - 53.0x1.5 Cl: 64.0	TC47 - 60.3x2.0 Cl: 77.5	TG06 - 50.8x1.65 Cl: 64.0	TG06 - 50.8x1.65 Cl: 64.0		
DN 65	2 1/2"		TD48 - 70.0x2.0 Cl: 91.0	TC48 - 76.1x2.0 Cl: 91.0	TG07 - 63.5x1.65 Cl: 77.5	TG07 - 63.5x1.65 Cl: 77.5		
DN 80	3"			TC49 - 88.9x2.3 Cl: 106.0	TG08 - 76.2x1.65 Cl: 91.0	TG08 - 76.2x1.65 Cl: 91.0		
DN 100	4"			TC50 - 114.3x2.3 Cl: 130.0	TG09 - 101.6x2.11 Cl: 119.0	TG09 - 101.6x2.11 Cl: 119.0		

In case of special application conditions,
please consult for advice.

Subject to alteration.
© Christian Bürkert GmbH & Co. KG

1801/12_EU-en_00891852