



Timer

- Digital version with bright LED display
- Analogue version with LED illumination to indicate switching status
- Connection according to DIN EN 175301-803 (form A)
- Protection class IP65 (NEMA 4)



Product variants described in the data sheet may differ from the product presentation and description.

Can be combined with



Type 2518 ▶
Cable Plug
DIN EN 175301-803 -
Form A

Table of contents

1. General technical data	3
2. Product versions	3
3. Dimensions	4
3.1. Digital version	4
3.2. Analogue version	4
4. Product installation	5
5. Ordering information	5
5.1. Bürkert eShop – Easy ordering and quick delivery.....	5
5.2. Bürkert product filter	5
5.3. Ordering chart.....	6

1. General technical data

Note:

Suitable for solenoid coils with max. 10 W (warm performance) and 100% ED e.g. AC10, ACP016 and all solenoid coils with KD electronic.

Product properties	Digital version	Analogue version
Dimensions	Detailed information can be found in chapter "3. Dimensions" on page 4.	
Material		
Housing	ABS plastic	ABS plastic
Timer PCB	SMT	SMT
Test function	Yes	Yes
Cycle display time	LED display	LED
Performance data		
Timer cycle (on/off)	0.01 seconds up to 99 hours (ON) 0.01 seconds up to 99 hours (OFF)	0.5...10 seconds (ON) 0.5...45 minutes (OFF)
Electrical data		
Switching current	Max. 2,0 A Max. 1,0 A (cURus approved) 20 W	Max. 2,0 A Max. 1,0 A (cURus approved) 20 W
Voltage	10...48 V AC/DC 50/60 Hz 110...240 V AC/DC 50/60 Hz	10...30 V AC/DC 50/60 Hz 24...240 V AC/DC 50/60 Hz
Process/Port connection & communication		
Plug connection	DIN EN 175301-803 (Form A)	DIN EN 175301-803 (Form A)
Approvals and certificates		
Protection class	IP65 (NEMA 4)	IP65 (NEMA 4)
Environment and installation		
Ambient temperature	-40 °C...+55 °C (-40 °F...+131 °F)	-40 °C...+55 °C (-40 °F...+131 °F)

2. Product versions

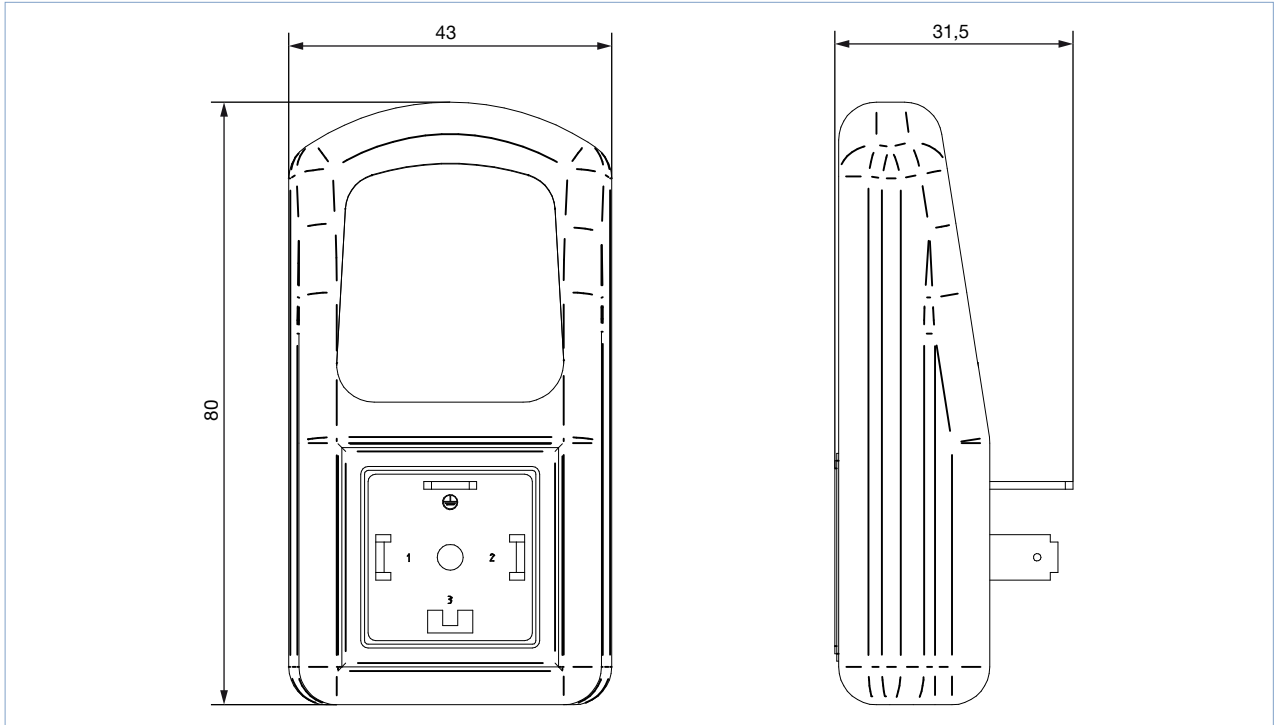


3. Dimensions

3.1. Digital version

Note:

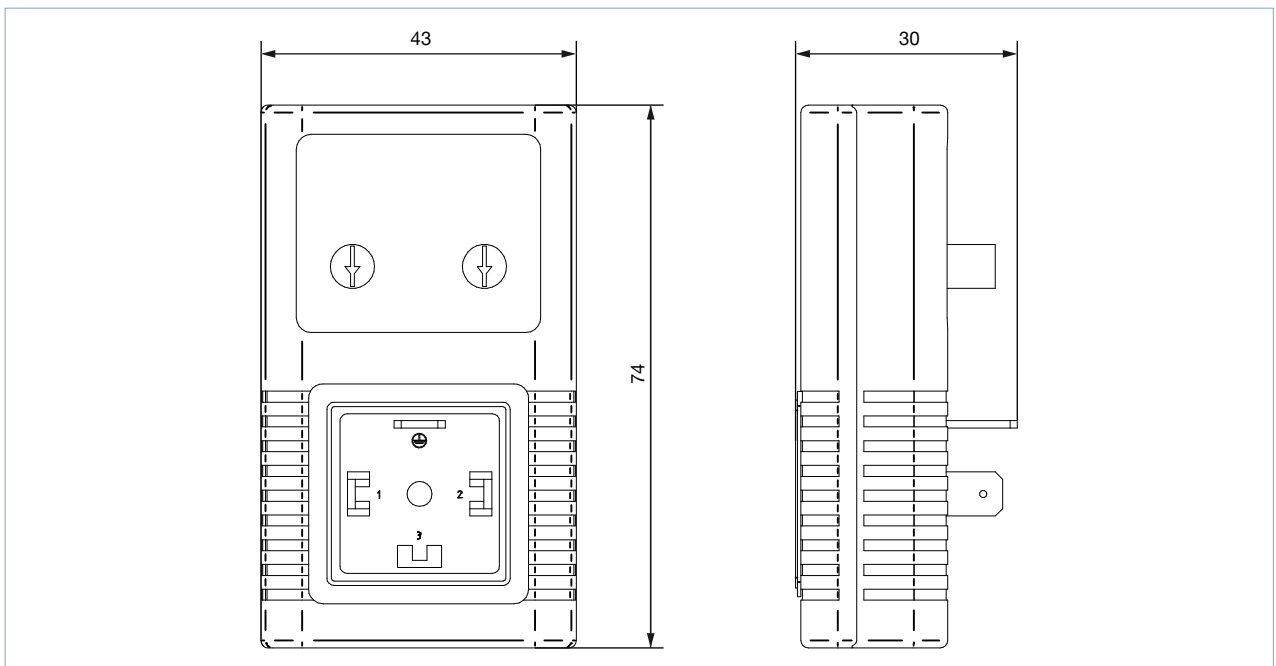
Dimensions in mm



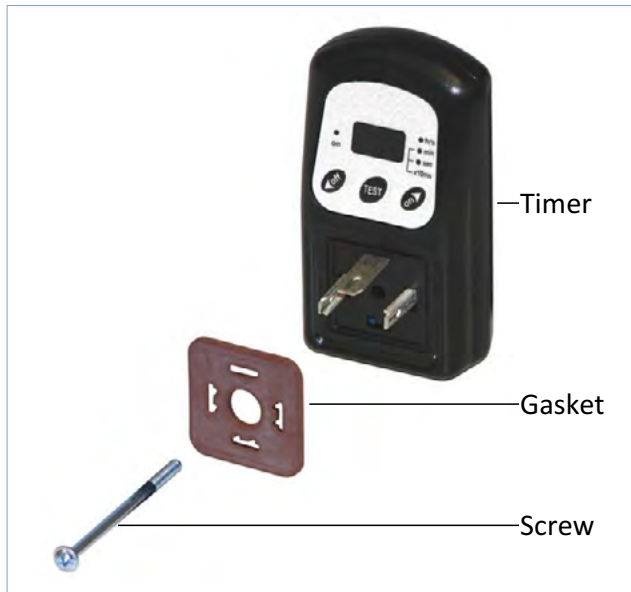
3.2. Analogue version

Note:

Dimensions in mm



4. Product installation



5. Ordering information

5.1. Bürkert eShop – Easy ordering and quick delivery



Bürkert eShop – Easy ordering and fast delivery

You want to find your desired Bürkert product or spare part quickly and order directly? Our online shop is available for you 24/7. Sign up and enjoy all the benefits.

[Order online now](#)

5.2. Bürkert product filter






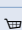
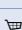
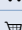


Bürkert product filter – Get quickly to the right product

You want to select products comfortably based on your technical requirements? Use the Bürkert product filter and find suitable articles for your application quickly and easily.

[Try out our product filter](#)

5.3. Ordering chart

Timer	Approval	Product code	Voltage range	Article no.
Analogue		1087-A-BCH-UC-28	10...30 V AC/DC	348828 
Analogue		1087-A-BDK-UC-28	24...240 V AC/DC	348829 
Digital		1087-A-BFW-UC-29	10...48 V AC/DC	348830 
Digital		1087-A-BDX-UC-29	110...240 V AC/DC	348831 
Analogue	cURus	1087-A-BCH-UC-28	10...30 V AC/DC	348906 
Analogue	cURus	1087-A-BDK-UC-28	24...240 V AC/DC	348907 
Digital	cURus	1087-A-BFW-UC-29	10...48 V AC/DC	348908 
Digital	cURus	1087-A-BDX-UC-29	110...240 V AC/DC	348909 

Bürkert – Close to You

For up-to-date addresses
please visit us at
www.burkert.com

DTS 1000391602 EN Version: E Status: RL (released | freigegeben | validé) printed: 08.03.2022

