



Electrical position feedback for pneumatically operated process valves

- Fast and easy installation
- Compact design



Product variants described in the data sheet may differ from the product presentation and description.

Can be combined with



Type 0330/0331 ▶
Direct-acting 2/2 or 3/2 way pivoted armature valve



Type 2XXX ▶
Accessories for pneumatic stroke and rotary actuators

Type description

The electrical position feedback Type 1060 is designed for integrated mounting on CLASSIC Series process valves . Due to its simple and a very compact design, the feedback can easily be mounted on a valve. Valve positions are remotely reported electrically according to switch type: open, closed.

Table of contents

1. General technical data	3
2. Dimensions	4
3. Device/Process connections	5
3.1. Electrical connection	5
4. Product installation	6
4.1. Electrical connection instruction.....	6
5. Ordering information	7
5.1. Bürkert eShop – Easy ordering and quick delivery.....	7
5.2. Bürkert product filter	7

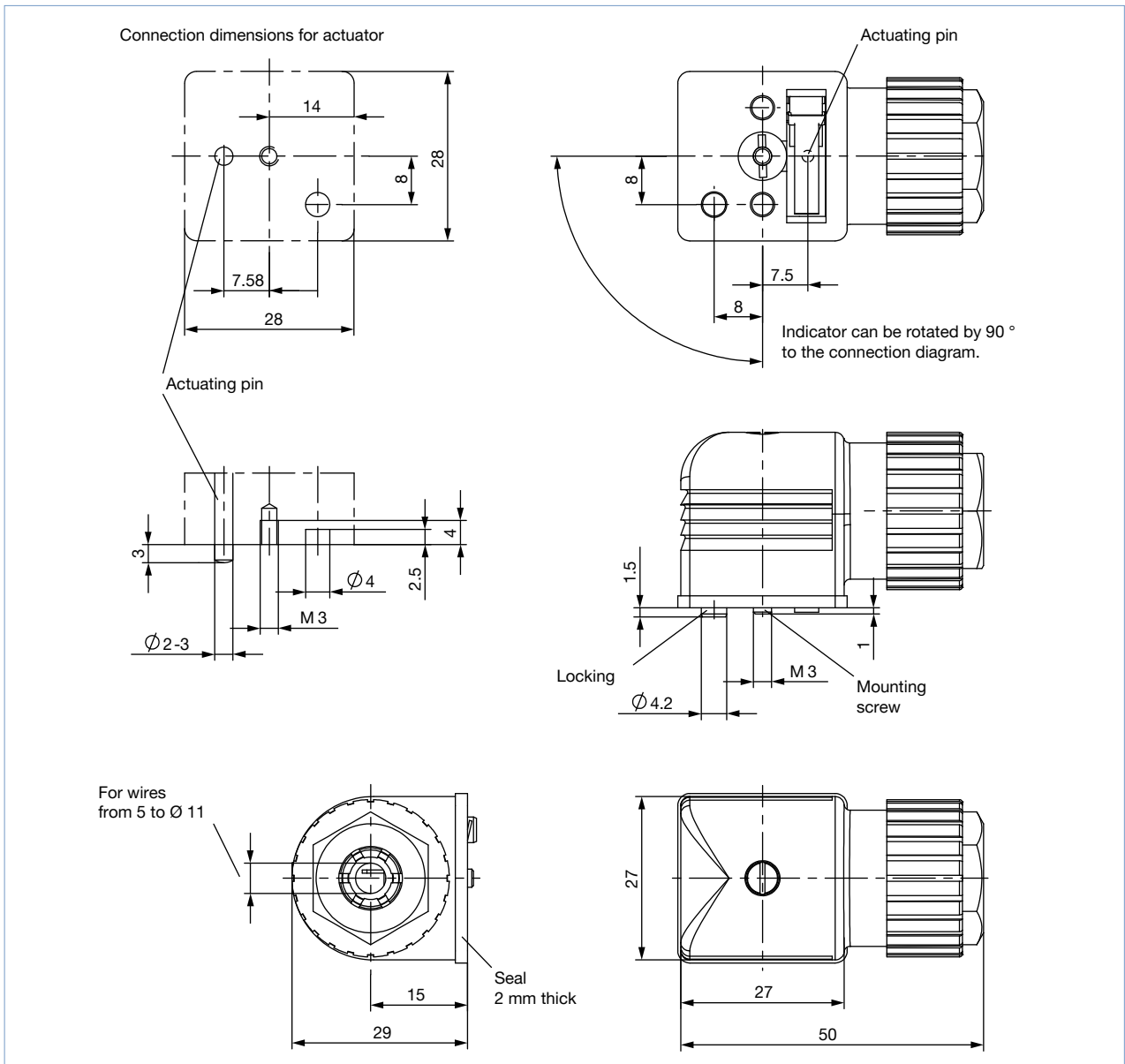
1. General technical data

Product features	
Dimensions	Detailed information can be found in chapter "2. Dimensions" on page 4.
Material	
Housing	Plastic
Micro switch	Plastic
Operation	
Micro switch	1 switch over contact
Application	Electrical feedback (alarm-, emergency-, off-, follow-circuits, etc.) for solenoid valves, diaphragm valves, piston valves, gate valves
Electrical data	
Contact rating	
Up to 250 V AC	Maximum 5 A ohmic and inductive contact load Filament load max. 0.5 A
Up to 250 V DC	Maximum 0.25 A ohmic contact load Maximum 0.02 A inductive load Maximum 0.02 A filament load
Environment and installation	
Installation and mechanical data	
Cable outlet	Can be rotated through 4 x 90°
Connection	Solder terminals
Fixing	With cylindrical screw M3 x 28 resp. M3 x 30
Cable diameter	5...9 mm
Operating conditions	
Max. continuous temperature	125 °C
Degree of protection	IP65 DIN 40050

2. Dimensions

Note:

Dimensions in mm



3. Device/Process connections

3.1. Electrical connection

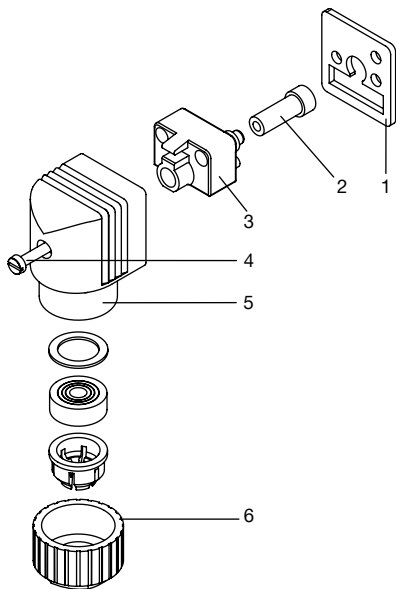
Connection	Pin	Pin Assignment
	1	Input
	2	Break contact
	3	Make contact

Connection	No.	Description
	1	Solder connection

4. Product installation

4.1. Electrical connection instructions

- Loosen screw in cap (2) take out contact insert.
- Feed cable through union nut (6).
- Connect according to the circuit (see electrical connection scheme).
- Insert contact insert (3) into cap (5) and clip in.
- Screw on cap (2) upon the socket with cap screw (4) ensuring that the flat seal (1) is securely positioned.
- Check the valve for function.



No.	Description
1	Flat seal
2	Screw
3	Contact insert
4	Cylinder screw
5	Cap
6	Union nut

5. Ordering information

5.1. Bürkert eShop – Easy ordering and quick delivery



Bürkert eShop – Easy ordering and fast delivery

You want to find your desired Bürkert product or spare part quickly and order directly? Our online shop is available for you 24/7. Sign up and enjoy all the benefits.

[Order online now](#)

5.2. Bürkert product filter



Bürkert product filter – Get quickly to the right product

You want to select products comfortably based on your technical requirements? Use the Bürkert product filter and find suitable articles for your application quickly and easily.

[Try out our product filter](#)

Bürkert – Close to You

For up-to-date addresses
please visit us at
www.burkert.com

DTS 1000282018 EN Version: B Status: RL (released | freigegeben | validé) printed: 21.10.2020

