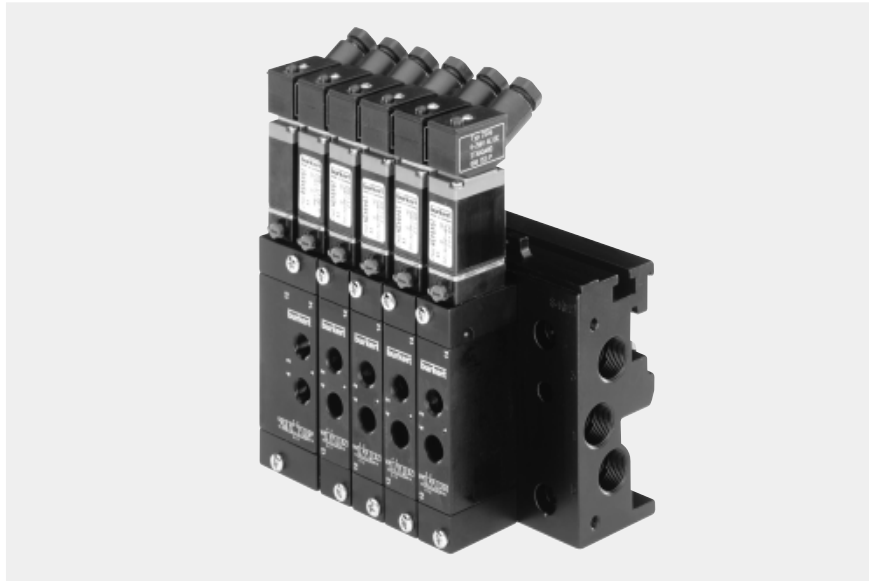


High Flow ALUMINUM Valves



The multi-way valve Type 0450 HazEx™ brings Burkert's Type 0450 centralized process actuation solution to hazardous areas. Its high flow rates in combination with the aluminum bodies allow a wide range of applications. Most commonly used safety barriers are approved for applications with the Type 0450 HazEx™. For easy installation, the valves can (on request) be supplied pre-wired to WAGO and Harting junction boxes.

Specification

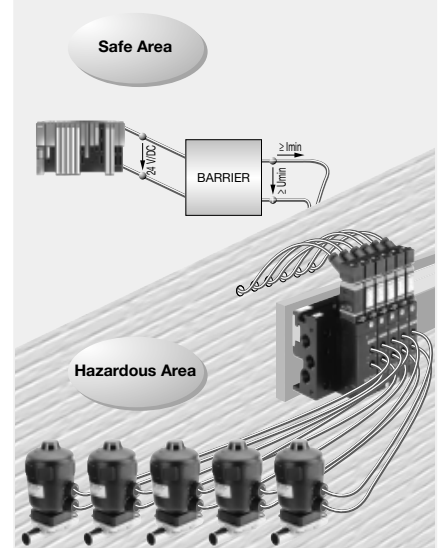
Valve type	0450 HazEx™
Materials	
Valve body	Aluminum anodized
Valve internals	Al, St. Steel, brass
Seals	POM/NBR
Pneumatic modules	Aluminum anodized
Fluids	Filtered compressed air, lubricated or unlubricated
Manual override	Standard
Valve port connection	G ^{1/8}
Rating	IP 65 with plugs
Power supply	24 V/DC
Intrinsically safe barrier	Required
Ambient Temperature	
Pi = 0.7 W	14 up to 122°F at T6
Pi = 0.9 W	14 up to 140°F at T5
Configuration	To customer requirement
Electrical connection options	Cable plug 2506 EaseOn cable plug 2510
Prewired junction boxes	WAGO (on request) Harting (on request)

Advantages/Benefits

- ▶ EEx ia IIC T6 approved
- ▶ Optimized System Solutions for hazardous areas
- ▶ High Flow Rates
- ▶ Long service life even with non-lube conditions
- ▶ Pre-tested and supplied easy to connect

Applications

- Chemical Industry
- Pharmaceutical Processing Equipment
- Cosmetic Processing Equipment
- Water Treatment / Processing Equipment



DTS 1000082402 EN Version: - Status: RL (released | freigegeben | validé) printed: 22.09.2017

Burkert Contromatic USA
2602 McGaw Avenue
Irvine, CA 92614
Tel. 949.223.3100
Fax 949.223.3198
www.burkert-usa.com

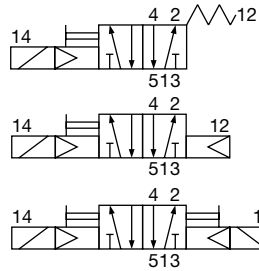
Burkert Contromatic Inc.
760 Pacific Road, Unit 3
Oakville, Ontario, Canada L6L 6M5
Tel. 905.847.5566
Fax 905.847.9006
www.burkert.ca

burkert
Fluid Control Systems

Technical Data

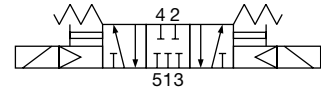
Function H

5/2 way valve, servo-assisted, in de-energized position, port 2 pressurized and port 4 exhausted. Different returns incl. impulse valve



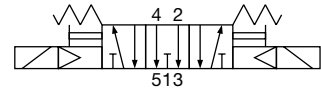
Function L

5/3 way valve, servo-assisted, in middle position, all ports locked



Function N

5/3 way valve, servo-assisted, in middle position, ports 2 and 4 exhausted

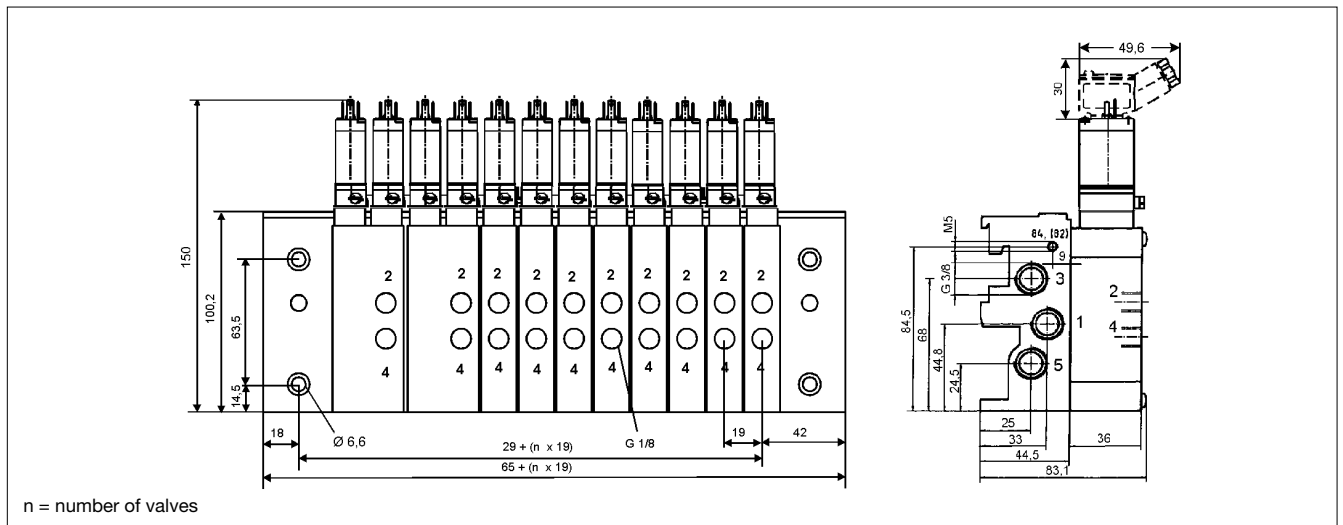


Valve Characteristics

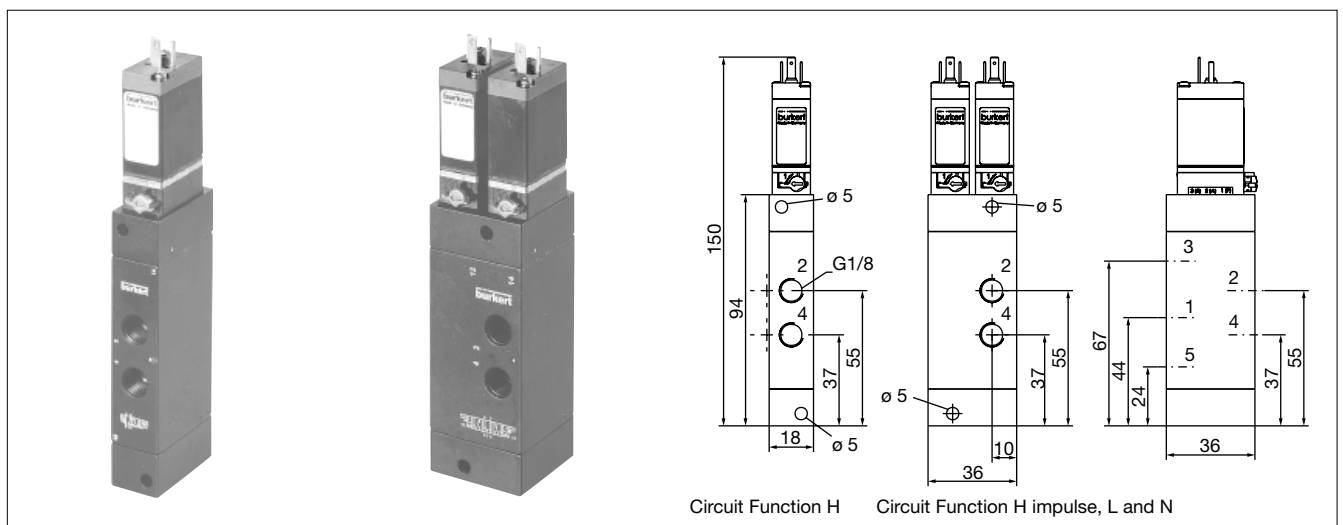
Circuit function	Flow rate [l/min]	Pressure range [PSI]	Reset	Response times		Item-No.
				opening [ms]	closing [ms]	
H (5/2)	750	30 – 116	air spring	19	25	194 941 L
H (5/2)	750	30 – 116	spring	17	27	194 943 N
H (5/2)	750	30 – 116	impulse*	16	16	194 944 P
L (5/3)	650	30 – 116	spring*	17	27	194 945 Q
N (5/3)	650	30 – 116	spring*	16	16	194 946 R

* valves have double mounting dimensions (36 mm wide)

Dimensions [mm] with 0450 Valves

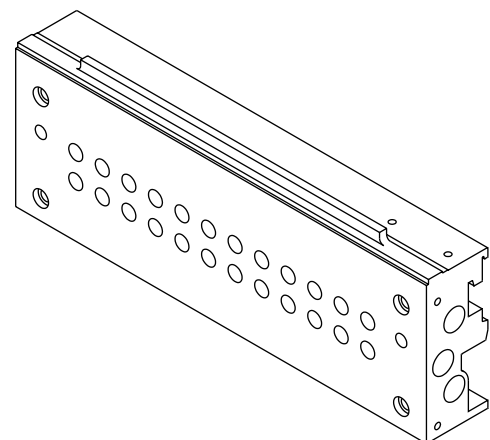


Dimensions [mm] 0450



Pneumatic Modules 0450

Number of valves	Item-No.
4	194 256 V
6	194 264 V
8	194 265 W
10	194 266 X
12	194 267 Y
14	194 268 H
16	194 269 A
18	194 270 F
20	194 271 U
22	194 272 V
24	194 273 W
Blind cover*	194 379 G



Approved Barriers for Use with 0450

Supplier	Type	Max. Resistance at 131°F
Bartec	Modex 07-7311-93M6/P060	144 Ω
	19-100.2801/1010	163 Ω
CEAG	SB-0728	100 Ω
	SB-1728	100 Ω
	6/915-7	70 Ω
	7/915-7	70 Ω
	2/915-7	70 Ω
	4/915-7	70 Ω
	5/915-7	70 Ω
	LB 2112	154 Ω
FB 2112	154 Ω	
Hima	F3328 (Characteristics A or C)	140 Ω
H & B	V17132-55	273 Ω
	V17332-61	200 Ω
MTL	728	140 Ω
	4021	154 Ω
	4728	110 Ω
	7028+	108 Ω
	7028-	108 Ω
	4025	93 Ω
	5025	68 Ω
	8215-DO-IS	195 Ω
P & F	KFD2-SD-Ex1.48	97 Ω
	KFD2-SL-Ex1.48	97 Ω
	KFD2-SD-Ex1.48.90A	97 Ω
	KFD2-SL-Ex1.48.90A	97 Ω
	Z 728	140 Ω
	Z 828	140 Ω
	Z 728.CL	140 Ω
	Z 828.CL	140 Ω
	KSD2-BO-Ex	173 Ω
	RSD-BO-Ex4	106 Ω
	VAA-2EA-G5-N/V1-Ex	203 Ω
	EGA-041-3	120 Ω
ED2-VD-Ex.2.1835	160 Ω	
Phoenix Contact	PI/Ex-SD/22/45-C	191 Ω
Stahl	9351/10-16-10	163 Ω
	9151/10-16-10	193 Ω
	9475/12-04-21	144 Ω
	9475/12-04-31	82 Ω
	9475/12-08-51	54 Ω
	9651/40-16-10	233 Ω
	9001/01-280-100-10	138 Ω
	9001/01-252-100-14	182 Ω
Turck	MC 72-41Ex-T	157 Ω
	MC 72-43Ex-T	157 Ω

DTS 1000082402 EN Version: - Status: RL (released | freigegeben | validé) printed: 22.09.2017