



Direct-acting 2/2 way plunger valve

- Gas valve with DVGW approval in accordance with EN 161, size A
- Compact design, up to DN12/500 mbar
- Body in brass
- Dirt filter in the inlet



Product variants described in the data sheet may differ from the product presentation and description.

Type description

The direct acting plunger solenoid valve Type 0285 is normally closed by spring force. During switching the core of the seal is tightened against the spring force, and opens the valve. The inlet has a gauze filter fitted. The valve is delivered as standard with a bracket fitting. Type 0285 is best suited to flammable gases.

Table of contents

1. General Technical Data	3
2. Circuit functions	3
3. Dimensions	4
4. Performance specifications	4
4.1. Power consumption.....	4
5. Ordering information	5
5.1. Bürkert eShop – Easy ordering and quick delivery.....	5
5.2. Bürkert product filter.....	5
5.3. Ordering chart.....	5

1. General Technical Data

Product properties	
Dimensions	Detailed information can be found in chapter "3. Dimensions" on page 4.
Material	
Seal	NBR, FKM
Body	Brass
Internal parts of valve	Stainless steel 1.4105, 1.4571
Nominal diameter	DN6...DN12
Switching function	Detailed information can be found in chapter "2. Circuit functions" on page 3.
Special feature	Gauze filter in inlet
Performance data	
Duty cycle	100 % continuous operation
Switching frequency	ca. 1000/min
Electrical data	
Operating voltage	24 V DC, 220...230 V/50 Hz, 220...230/UC
Power consumption	Detailed information can be found in chapter "4.1. Power consumption" on page 4.
Voltage tolerance	± 10 %
Medium data	
Medium temperature	
NBR	0 °C...+ 80 °C
FKM	0 °C...+ 80 °C
Operating medium	
NBR	Flammable mediums like energy gas, natural gas, liquid gas, acetylene, hydrogen
FKM	As NBR, however with more volatile substances, e.g. solvents, hydrosulphide etc.
Process/Port connection & communication	
Medium connectors	Thread R ¼ and R ½ acc. to DIN 2999
Electrical connection	Cable plug for cable Ø 7 mm (included in delivery)
Approvals and certificates	
Degree of protection	IP65 with cable plug
DVGW-Approval	Group 2, Class A
Test regulations	DIN EN 161
Environment and installation	
Installation position	As required, preferably with actuator upright
Installation instructions	With retaining bracket
Ambient temperature	0 °C...+ 60 °C

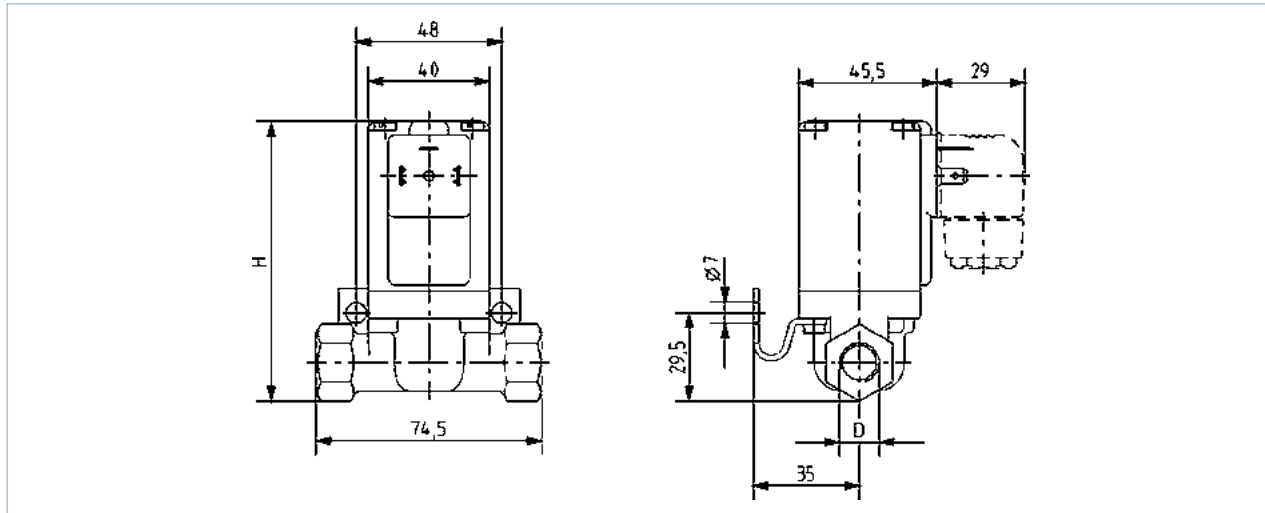
2. Circuit functions

Circuit functions	Description
	Type: A, valve 2/2 way Operated by external air Normally closed

3. Dimensions

Note:

- Valve with fitting bracket
- Dimensions in mm



Port connection	H
R ¼	93
R ½	95.5

4. Performance specifications

4.1. Power consumption

Orifice [mm]	Port connection acc. to 2999	K _v value water ^{1.)} [m ³ /h]	Pressure range ^{2.)}		Response times ^{3.)}		Power consumption			Weight [kg]
			AC [bar]	DC/UC [bar]	Opening [ms]	Closing [ms]	Inrush AC [VA]	Hold AC [VA/W]	DC [W]	
6	R ¼, R ½	0.7	3.5	3.5	10...20	20...30	30...75	16/10	12	0.7
12	R ½	1.8	–	0.2						0.7
12	R ½	1.8	0.5	–						0.7


1.) Measured at +20 °C, 1 bar^{2.)} pressure at valve inlet and free outlet

2.) Overpressure to atmospheric pressure

3.) Response times: measured with water at valve outlet at 6 bar and +20 °C. Opening: pressure build-up 0...90 %, closing: pressure decay 100...10 %

5. Ordering information

5.1. Bürkert eShop – Easy ordering and quick delivery




Bürkert eShop – Easy ordering and fast delivery

You want to find your desired Bürkert product or spare part quickly and order directly? Our online shop is available for you 24/7. Sign up and enjoy all the benefits.

[Order online now](#)

5.2. Bürkert product filter



Bürkert product filter – Get quickly to the right product

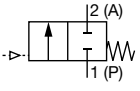
You want to select products comfortably based on your technical requirements? Use the Bürkert product filter and find suitable articles for your application quickly and easily.

[Try out our product filter](#)

5.3. Ordering chart

Note:

- All valves with brass body and with cable plugs
- Fitting bracket included in delivery unless otherwise stated
- All universal current with integrated rectifier

Circuit function	Orifice	Port connection DIN 2999	K _v value water [m ³ /h]	Air flow rate at P _{max} [l/min]	Pressure range [bar]	Remark	Seal material	Voltage/ Frequency	Article no.	
	[mm]							[V/Hz]		
A, valve 2/2 way Operated by external air Normally closed 	6.0	R ¼	0.7	41	0...3.5	–	NBR	230/50	041910	
					0...3.5	–		24/DC	047782	
					0...3.5	–		230/50	057044	
					0...3.5	without fitting bracket		230/50	072896	
					0...3.5	–		230/UC	043765	
					0...3.5	low-noise		230/UC	088689	
					0...3.5	–		FKM	230/50	055012
					0...2.0	–		230/UC	047750	
	12.0	R ½	1.8	33	0...0.2	–	NBR	24/DC	023552	
					0...0.5	–		230/50	043582	
					0...0.5	without fitting bracket		230/50	043757	
					0...0.2	–		230/UC	020807	
					0...0.2	low-noise		230/UC	021510	
					0...0.5	–		FKM	230/50	067200
0...0.2	low-noise	230/UC	057691							

Bürkert – Close to You

For up-to-date addresses
please visit us at
www.burkert.com

DTS 1000178266 EN Version: F Status: RL (released | freigegeben | validé) printed: 16.07.2020

