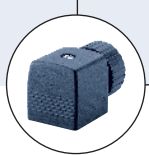


2/2-way Solenoid Valve for high pressures and temperatures



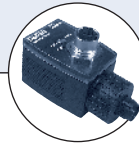
Type 0255 can be combined with...



Type 2508
Cable plug








Type 1078
Timer unit



Type 2511
ASI cable plug

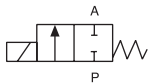


Type 8600
Dosing control

- Seat valve, direct-acting
- Pressure range up to 507 PSI
- Media temperature up to 482°F (250°C)
- Push-over solenoid system
- For gases and fluids
- Approvals:     

The direct-acting plunger solenoid valve Type 0255 is also suitable for high pressures and high temperatures.

Circuit function A



2/2-way valve, normally closed by spring force

Technical data	
Orifice	DN 2.0 – 6.0 mm
Body material	Brass with stainless steel seat 1.4305 or stainless steel 1.4581
Seal material	PTFE (others on request)
Media FKM PTFE	Hot air, hot oils, oils with additives, per-solutions Water, steam, fuels, hydraulic materials, alcohol, organic solvents, waste gas
Media temperature PTFE on request	–40°F to 356°F (–40°C to +180°C) Up to 482°F (+250°C)
Viscosity	Max. 21 cSt
Ambient temperature	131°F (+55°C) (482°F (+250°C) on request), please see ordering chart
Voltage tolerance	± 10%
Duty cycle	100% continuous rating
Electrical connection	▪ Cable plug for Ø 7 mm cable (supplied as standard)
Protection class	IP 65 with cable plug
Installation	As required, preferably with actuator upright
Flow rate C _v value water [GPM]	measured at 68°F (+20°C), 1 PSI pressure at valve inlet and free outlet (see ordering chart)
Pressure valves [PSI]	gauge pressures with respect to the prevailing atmosphere pressure (see ordering chart)
Response times [ms] Opening Closing	measured with water at valve outlet at 87 PSI and 68°F (+20°C) pressure build-up 0 to 90% pressure decay 100 to 10% (see ordering chart)

Technical data

Orifice [mm]	Inrush AC [VA]	Hold		Response times				Weight [kg]
		AC [VA/W]	DC [W]	Opening [ms]		Closing [ms]		
				AC	DC	AC	DC	
2.0 – 6.0	35 – 40	16/10	approx.12	10 – 20	20 – 80	20 – 30	20 – 30	0.6

Ordering chart for valves (other versions on request)

Circuit Function	Orifice [inch]	Flow Rate		Port Connection [NPT]	Pressure Range ²⁾ Δ [PSI] For Liquids	Body Material	Seal Material	Approvals ³⁾	Voltage/Frequency [V/Hz]	item no.					
		Water C _v -Value [GPM]	Air ¹⁾ QNn [SCFM]												
A	5/64	0.14	4.6	1/4	0 – 507	Stainless	PTFE	●	120/60	454 774					
						Brass	PTFE	●	24/DC	452 431					
	1/8	0.29	9.5	1/4	0 – 145	Brass	PTFE	▲	24/DC	457 930					
						Brass	PTFE	▲	120/60	457 955					
						Stainless	PTFE	▲	24/DC	452 435					
						Stainless	PTFE	▲	120/60	452 886					
						3/8	0 – 145	Brass	PTFE	–	24/DC	456 228			
								Brass	PTFE	●	120/60	454 096			
								Brass	PTFE	▲	120/60	454 867			
						5/32	0.58	19.0	1/4	0 – 145	Brass	PTFE	●	24/60	450 503
											Brass	PTFE	●	24/DC	452 439
											Brass	PTFE	●	120/60	452 440
	Stainless	PTFE	▲	24/DC	457 972										
	Stainless	PTFE	▲	120/60	452 894										
	3/8	0 – 145	Brass	PTFE	●						120/60	454 121			
			Brass	PTFE	▲						120/60	452 890			
			Stainless	PTFE	●						120/60	453 527			
			Stainless	PTFE	▲						120/60	454 365			
	3/16	0.76	25.0	1/4	0 – 85						Brass	PTFE	●	120/60	452 448
						Stainless	PTFE	–	24/DC	454 514					
							PTFE	▲	120/60	456 215					
	1/4	0.93	30.0	1/4	0 – 55	Brass	PTFE	●	24/60	452 455					
						Brass	PTFE	▲	24/60	452 905					
						Brass	PTFE	●	24/DC	452 454					
						Brass	PTFE	●	120/60	452 456					
						Brass	PTFE	▲	120/60	452 906					
						Brass	PTFE	●	240/60	452 457					
						Brass	PTFE	▲	240/60	455 100					
						Stainless	PTFE	●	24/DC	452 458					
						Stainless	PTFE	▲	120/60	452 909					
Stainless						PTFE	▲	240/60	455 101						
3/8						0 – 55	Brass	PTFE	▲	120/60	454 181				
							Brass	PTFE	–	240/60	457 336				
							Brass	PTFE	▲	120/60	454 813				
1/2						0 – 55	Stainless	PTFE	●	24/60	456 737				
							Stainless	PTFE	–	24/DC	455 519				
							Stainless	PTFE	●	120/60	453 526				
							Stainless	PTFE	▲	120/60	454 147				

1) Measured with 85 PSI upstream pressure and a pressure drop of 14 PSI across the valve at 68°F

2) Also suitable for vacuum

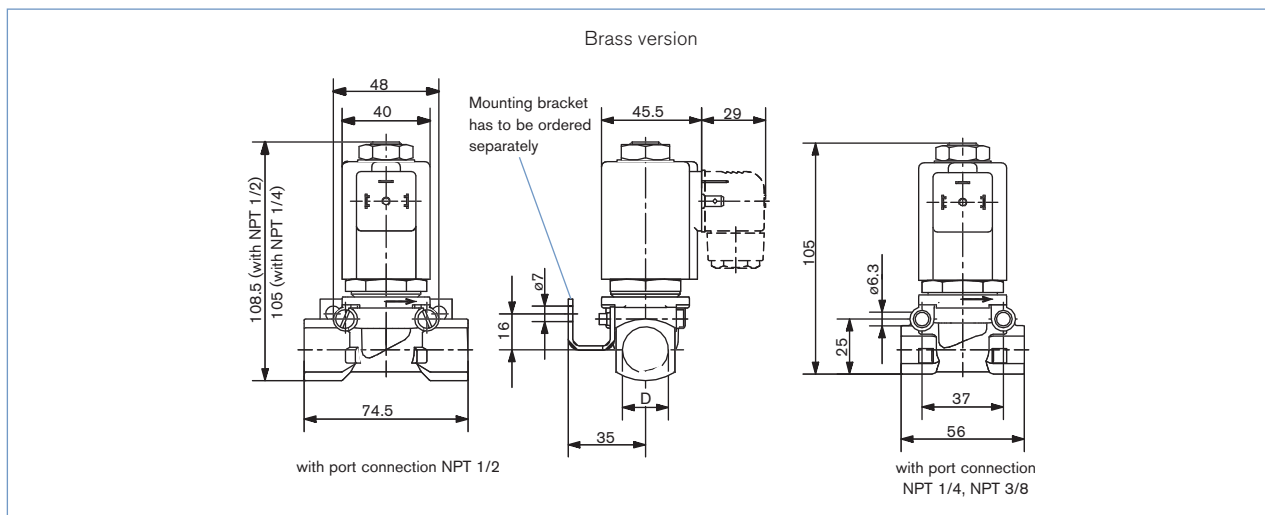
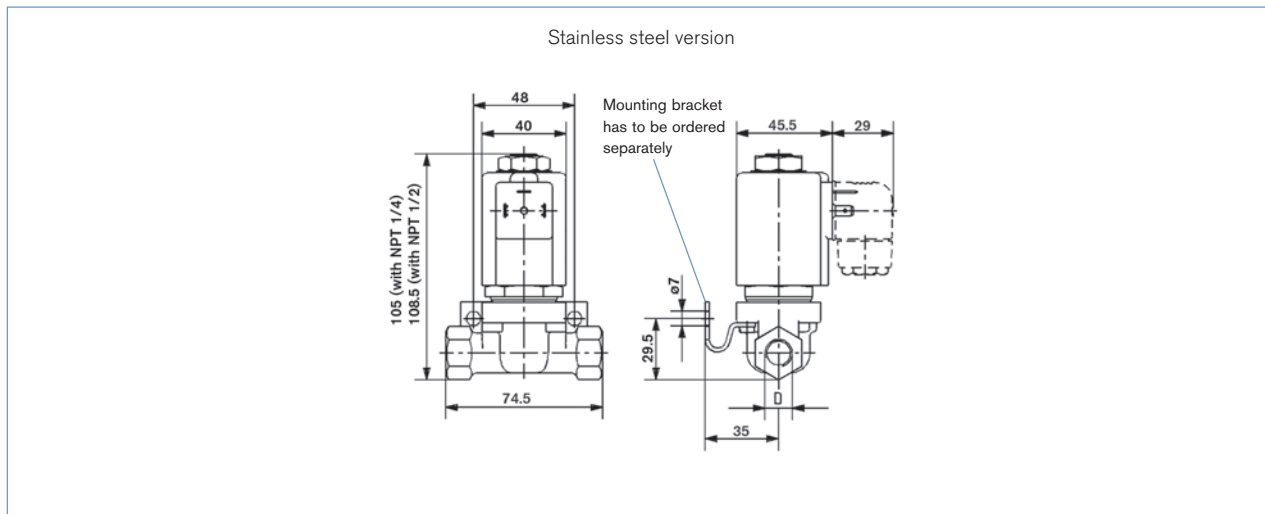
3) CE standard on all valves:

● – UL recognized component / CSA approved / cable plug not included

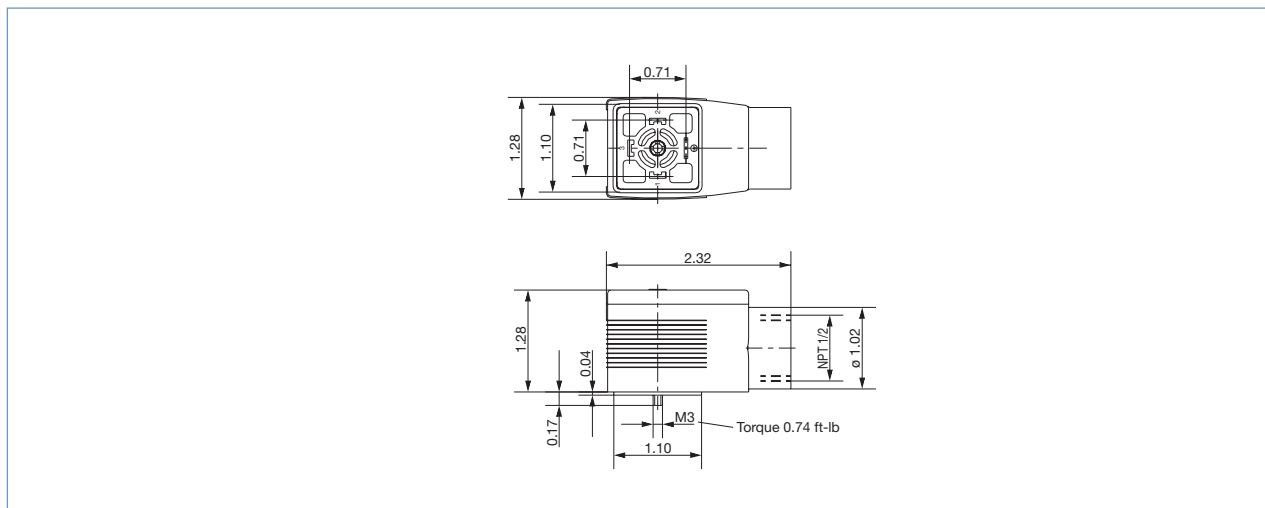
▲ – UL listed (safety shutoff) / FM class 1 / DIV 2 groups ABCD / CSA approved / includes 2509 series conduit plug

△ Limited pressure range for liquid fluids (see chart on page 2)

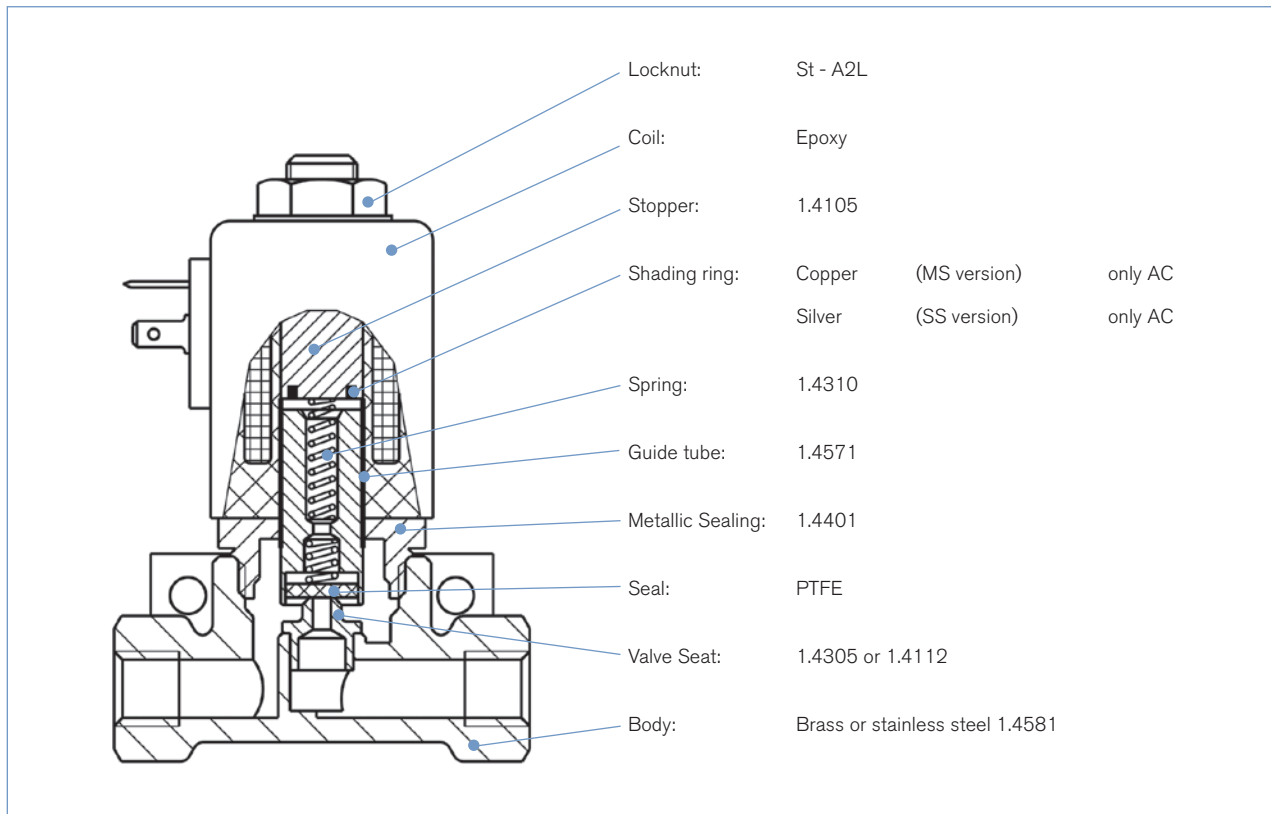
Dimensions [mm]



Type 2509 Dimensions [mm]



Materials



Mounting set

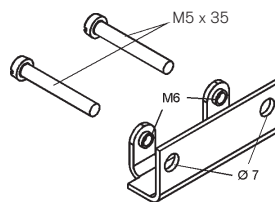
- 2 M5 x 35 cheesehead screws
- 1 mounting bracket

Valve mounted using mounting kit

Refer to the dimensional drawings for the valve

37 mm separation between the M5 threaded holes

48 mm separation between the Ø7 bores



Item no. 151 287

(only for brass body versions)

Mounting set for stainless steel versions on request