



### Direct-acting 2/2 way plunger valve

- Push-over solenoid system
- Compact design, up to DN 6
- Housing made of brass or stainless steel with threaded connection



Product variants described in the data sheet may differ from the product presentation and description.

#### Can be combined with

- |   |  |   |
|---|--|---|
|   | <b>Type 2518</b><br>Cable Plug DIN EN<br>175301 - 803 - Form A | ▶ |
|  | <b>Type 1087</b><br>Timer                                      | ▶ |

#### Type description

The direct-acting plunger solenoid valve Type 0255 is also suitable for high pressures and high temperatures.

## Table of contents

<b>1. General Technical Data</b>	<b>3</b>
<b>2. Circuit functions</b>	<b>3</b>
<b>3. Materials</b>	<b>3</b>
3.1. Chemical Resistance Chart – Bürkert resistApp.....	3
3.2. Material specifications .....	4
<b>4. Dimensions</b>	<b>5</b>
4.1. Stainless steel version .....	5
4.2. Brass version .....	6
<b>5. Performance specifications</b>	<b>6</b>
5.1. Power consumption .....	6
<b>6. Ordering information</b>	<b>6</b>
6.1. Bürkert eShop – Easy ordering and quick delivery.....	6
6.2. Bürkert product filter .....	7
6.3. Ordering chart.....	7
6.4. Ordering chart accessories.....	8
Mounting set.....	8

## 1. General Technical Data

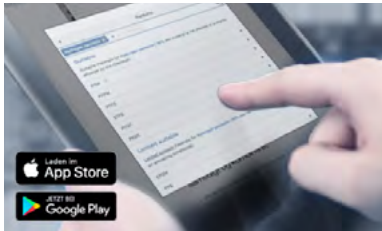
Product properties	
Dimensions	Detailed information can be found in chapter "4. Dimensions" on page 5.
Material	
Seal	FKM, PTFE (others on request)
Body	Brass with stainless steel seat 1.4305 or stainless steel body 1.4581
Coil	Epoxy
Nominal diameter	DN 1.0...DN 6.0
Switching function	Detailed information can be found in chapter "2. Circuit functions" on page 3.
Thermal insulation class of solenoid	H
Weight	0.6 (brass version)
Electrical data	
Voltage tolerance	± 10 %
Duty cycle	100 % continuous operation
Medium data	
Medium temperature	
With FKM	-10 °C...+130 °C
With PTFE	-40 °C...+180 °C
With stainless steel	Up to +250 °C (on request)
Operating medium	
With FKM	Hot air, hot oils, oils with additives, per-solutions
With PTFE	Water, steam, fuels, hydraulic materials, alcohol, organic solvents, waste gas
Viscosity (max.)	Max. 21 mm <sup>2</sup> /s
Process/Port connection & communication	
Electrical connection	Cable plug for Ø 7 mm cable, acc. to DIN EN 175 301 - 803 Form A (supplied as standard)
Approvals and certificates	
Degree of protection	IP65 with cable plug
Environment and installation	
Installation position	As required, preferably with actuator upright
Ambient temperature	Max. +55 °C (+250 °C on request), please see ordering chart

## 2. Circuit functions

Circuit functions	Description
	<b>Type: A, solenoid valve</b> 2/2 way Direct-acting Normally closed

## 3. Materials

### 3.1. Chemical Resistance Chart – Bürkert resistApp

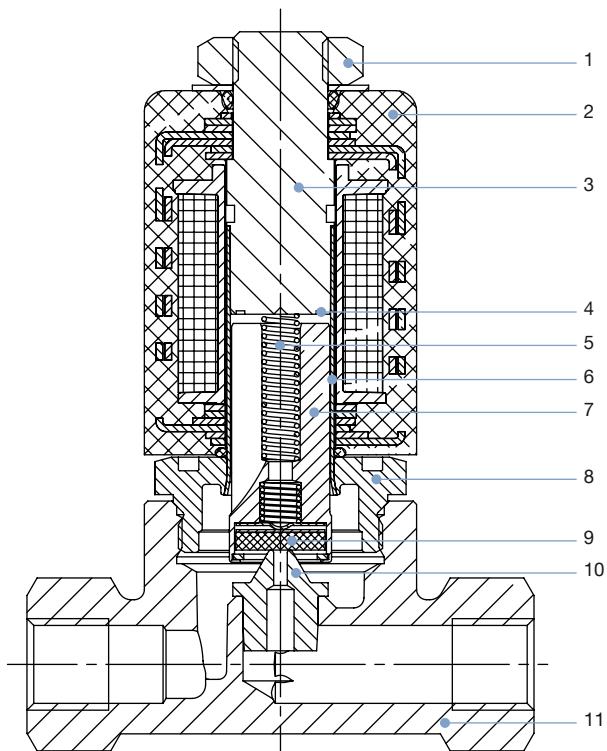


**Bürkert resistApp – Chemical Resistance Chart**

You want to ensure the reliability and durability of the materials in your individual application case? Verify your combination of media and materials on our website or in our resistApp.

[Start Chemical Resistance Check](#)

3.2. Material specifications



No.	Element	Material
1	Locknut	Steel (thick-film passivated acc. to Rohs)
2	Coil	Epoxy
3	Stopper	1.4105
4	Shading ring	Copper (MS version), only AC Silver (SS version), only AC
5	Spring	1.4310
6	Guide tube	1.4571
7	Plunger	1.4105
8	Hexagon nut	1.4401 or 1.4571
9	Seal	FKM, PTFE
10	Valve Seat	1.4305 or 1.4112 (only brass body)
11	Body	Brass or stainless steel 1.4581

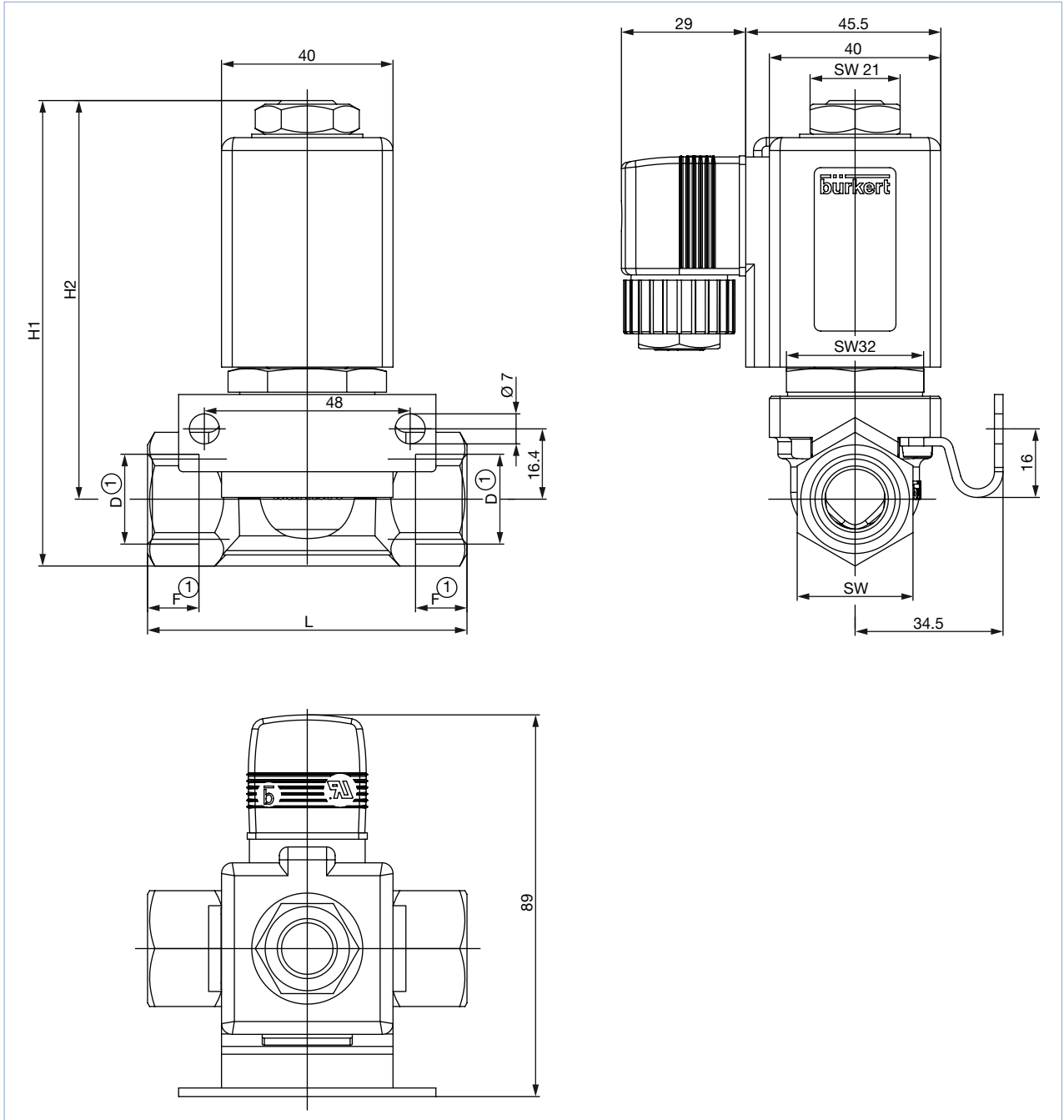
DTS 1000010917 EN Version: L Status: RL (released | freigegeben | validé) printed: 16.07.2020

## 4. Dimensions

### 4.1. Stainless steel version

**Note:**

Dimensions in mm

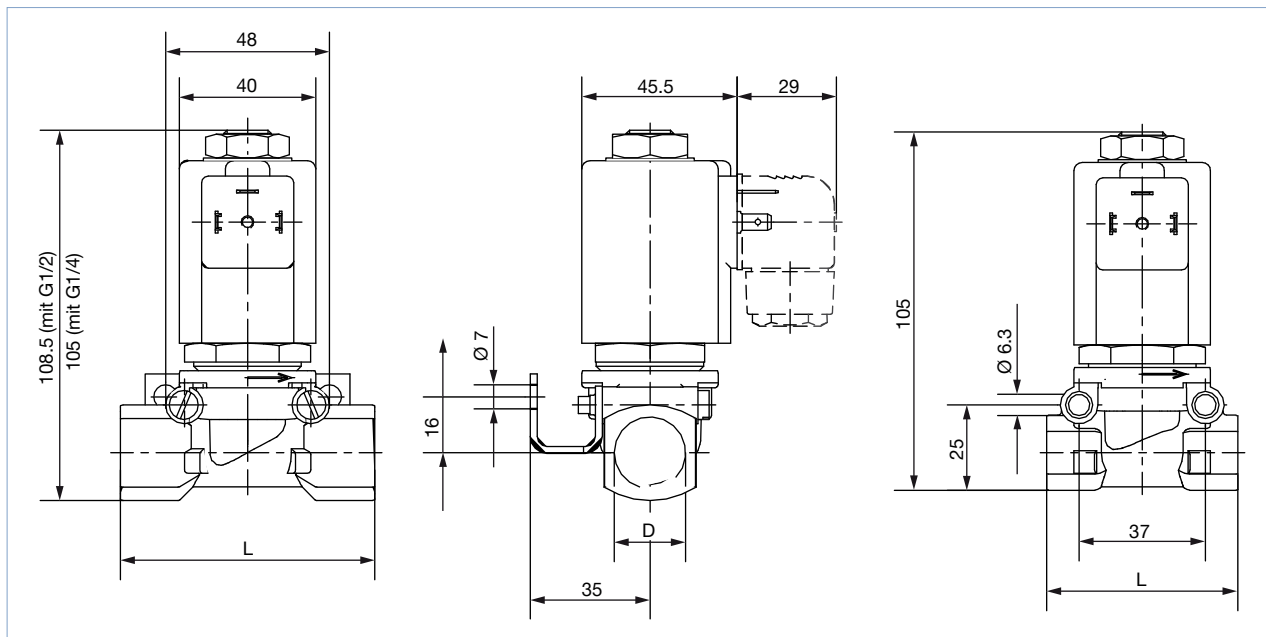


G	NPT		L	H1	H2	SW	
D1	F1	D2	F2				
G ½	14	NPT ½	13.5	74.5	108.5	93	27
G ¼	12	NPT ¼	10	74.5	106	93	22

## 4.2. Brass version

**Note:**

Dimensions in mm



G		NPT		L	H1	H2	SW
D1	F1	D2	F2				
G ½	14	NPT ½	13.5	74.5	107	93	27
G ¼	12	NPT ¼	10	56	105	94	22
G ⅜	12	NPT ⅜	10.3	56	105	94	22

## 5. Performance specifications


### 5.1. Power consumption

DN	Electrical power consumption				Response times			
	Inrush		Hold (hot coil) <sup>1.)</sup>		Opening		Closing	
	AC	DC	AC	DC	AC	DC	AC	DC
[mm]	[VA]	[VA/W]	[W]	[ms]	[ms]	[ms]	[ms]	
1.0...1.6	35...40	16/10	Ca. 12 (13)	10...20	20...80	20...30	20...30	

1.) Value in brackets corresponds to a coil temperature of 20 °C

## 6. Ordering information

### 6.1. Bürkert eShop – Easy ordering and quick delivery



**Bürkert eShop – Easy ordering and fast delivery**

You want to find your desired Bürkert product or spare part quickly and order directly? Our online shop is available for you 24/7. Sign up and enjoy all the benefits.

Order online now

## 6.2. Bürkert product filter



### Bürkert product filter – Get quickly to the right product

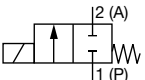
You want to select products comfortably based on your technical requirements? Use the Bürkert product filter and find suitable articles for your application quickly and easily.

[Try out our product filter](#)

## 6.3. Ordering chart

### Note:

- All valves with stainless steel seat
- A cable plug is included in delivery.
- Other versions on request

Circuit function	Port connection	Orifice [mm]	K <sub>v</sub> value water <sup>1.)</sup> [m <sup>3</sup> /h]	Pressure range <sup>2.)</sup>			Seal material	Article no. per voltage/frequency [V/Hz]			
				DC for gases and liquids [bar]	AC for gases [bar]	AC for liquids [bar]		024/DC	024/50	110/50	230/50
<b>A, solenoid valve</b> 2/2 way Direct-acting Normally closed 	<b>Brass body</b>										
	G ¼	1.0	0.03	0...100	0...100	0...100	PTFE	058360	020755	–	067692
		2.0	0.12	0...20	0...60	0...35	FKM	089888	020033	020101	064119
		3.0	0.25	0...10	0...25	0...16	PTFE	052872	058421	058888	046865
		4.0	0.5	0...4	0...12	0...10	PTFE	058796	065454	023897	053188
		5.0	0.65	0...2	0...7	0...6	PTFE	020164	049194	049830	050879
		5.0	0.65	0...2	0...7	0...6	FKM	–	–	–	052424
	G ⅜	4.0	0.5	0...4	0...12	0...10	PTFE	065438	059100	046886	051143
		5.0	0.65	–	0...16	0...6	FKM	–	022551	–	025885
		5.0	0.65	0...2	0...7	0...6	PTFE	020664	057644	023581	050880
		6.0	0.8	0...1	0...5	0...4	PTFE	053764	050389	066222	051324
	G ½ <sup>3.)</sup>	4.0	0.5	0...4	0...12	0...10	PTFE	089404	–	089403	076551
		6.0	0.8	0...1	0...5	0...4	FKM	135958	135959	135947	135950
	<b>Stainless steel body</b>										
	G ¼ <sup>3.)</sup>	1.0	0.03	0...100	0...100	0...100	PTFE	018004	078420	–	019862
		3.0	0.25	0...10	0...25	0...16	PTFE	021554	018593	–	061010
		4.0	0.5	0...4	0...12	0...10	PTFE	021251	020468	–	023279
		5.0	0.65	0...2	0...7	0...6	PTFE	125097	019991	086924	025250
G ½ <sup>3.)</sup>	3.0	0.25	0...10	0...25	0...16	PTFE	019204	059254	–	055506	
	4.0	0.5	0...4	0...12	0...10	PTFE	065684	066932	–	054473	
	6.0	0.8	0...1	0...5	0...4	FKM	022504	052859	067990	054811	

1.) Measured at +20 °C, 1 bar pressure at valve inlet and free outlet

2.) Overpressure with respect to atmospheric pressure (the pressure rates for liquids are specified on the type plate)

3.) All versions with mounting bracket included

Further versions on request	
<b>Approval</b> UL, UR, CSA, EEx, CGA/AGA	<b>Analytical</b> Silicon, oil and fat-free version for oxygen
<b>Temperature</b> High temperature version up to 250 °C	<b>Pressure</b> High performance version with high power electronic for higher pressures.
<b>Material</b> Seal material EPDM, NBR	

#### 6.4. Ordering chart accessories

##### Mounting set

**Note:**

- Included in delivery are a mounting clamp and 2 cylinder screws M5 x 35.
- Only for brass body versions, mounting set for stainless steel versions on request
- 37 mm separation between the M5 threaded holes
- 48 mm separation between the Ø 7 bores
- Valve mounting with mounting set see [“4.2. Brass version” on page 6](#)

Description	Article no.
	151287

DTS 1000010917 EN Version: RL (released | freigegeben | valide) printed: 16.07.2020



# Bürkert – Close to You

For up-to-date addresses  
please visit us at  
[www.burkert.com](http://www.burkert.com)

DTS 1000010917 EN Version: L Status: RL (released | freigegeben | validé) printed: 16.07.2020

