



Direct-acting 2/2 way plunger valve

- Push-over solenoid system
- Compact design, up to DN 6
- Housing made of brass or stainless steel with threaded connection



Product variants described in the data sheet may differ from the product presentation and description.

Can be combined with



Type 2518 ▶
Cable Plug DIN EN
175301 - 803 - Form A



Type 1087 ▶
Timer

Type description

The direct-acting plunger solenoid valve Type 0255 is also suitable for high pressures and high temperatures.

Table of contents

1. General Technical Data	3
2. Circuit functions	4
3. Materials	4
3.1. Chemical Resistance Chart – Bürkert resistApp.....	4
3.2. Material specifications	4
4. Dimensions	5
4.1. Stainless steel version	5
4.2. Brass version	6
5. Performance specifications	6
5.1. Power consumption	6
Standard coil.....	6
High temperature version.....	6
6. Ordering information	7
6.1. Bürkert eShop – Easy ordering and quick delivery.....	7
6.2. Bürkert product filter	7
6.3. Ordering chart.....	8
6.4. Ordering chart accessories.....	9
Mounting set brass body	9
Mounting set stainless steel body	9

1. General Technical Data

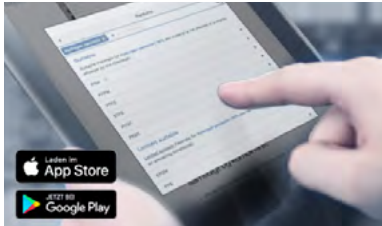
Product properties	
Dimensions	Detailed information can be found in chapter “4. Dimensions” on page 5.
Material	
Seal	FKM, PTFE (others on request)
Body	Brass with stainless steel seat 1.4305 or stainless steel body 1.4581
Coil	Epoxy
Nominal diameter	DN 1.0...DN 6.0
Switching function	Detailed information can be found in chapter “2. Circuit functions” on page 4.
Thermal insulation class of solenoid	H
Weight	0.6 (brass version)
Electrical data	
Voltage tolerance	± 10 %
Duty cycle	100 % continuous operation
Medium data	
Medium temperature	
With FKM	-10 °C...+130 °C
With PTFE	-40 °C...+180 °C
With stainless steel	Up to +250 °C (on request)
Operating medium	
With FKM	Hot air, hot oils, oils with additives, per-solutions
With PTFE	Water, steam, fuels, hydraulic materials, alcohol, organic solvents, waste gas
Viscosity (max.)	Max. 21 mm ² /s
Process/Port connection & communication	
Electrical connection	Cable plug for Ø 7 mm cable, acc. to DIN EN 175 301 - 803 Form A (supplied as standard)
Approvals and certificates	
Degree of protection	IP65 with cable plug for standard devices IP50 without cable plug for high temperature devices
Environment and installation	
Installation position	As required, preferably with actuator upright
Ambient temperature	Max. +55 °C (+250 °C on request, see “6.3. Ordering chart” on page 8)

2. Circuit functions

Circuit functions	Description
	Type: A, solenoid valve 2/2 way Direct-acting Normally closed

3. Materials

3.1. Chemical Resistance Chart – Bürkert resistApp

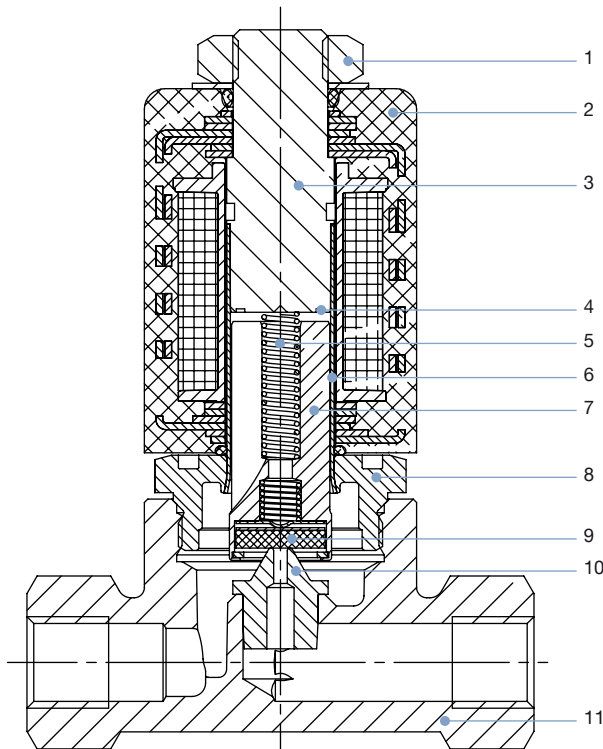


Bürkert resistApp – Chemical Resistance Chart

You want to ensure the reliability and durability of the materials in your individual application case? Verify your combination of media and materials on our website or in our resistApp.

[Start Chemical Resistance Check](#)

3.2. Material specifications



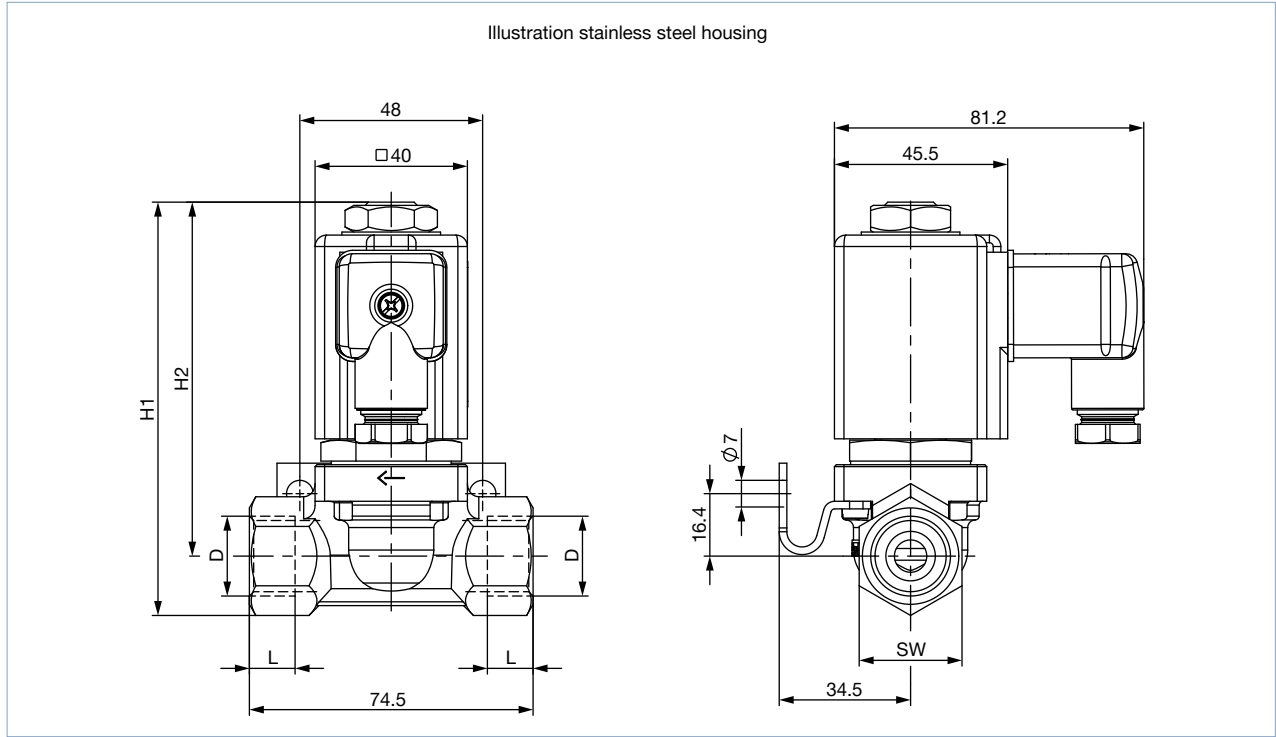
No.	Element	Material
1	Locknut	Steel (thick-film passivated acc. to Rohs)
2	Coil	Epoxy
3	Stopper	Stainless steel 1.4105
4	Shading ring	Copper (brass version), only AC Silver (stainless steel version), only AC
5	Spring	Stainless steel 1.4310
6	Guide tube	Stainless steel 1.4571
7	Plunger	Stainless steel 1.4105
8	Hexagon nut	Stainless steel 1.4401 or stainless steel 1.4571
9	Seal	FKM, PTFE
10	Valve Seat	Stainless steel 1.4305 or stainless steel 1.4112 (only brass body)
11	Body	Brass or stainless steel 1.4581

4. Dimensions

4.1. Stainless steel version

Note:

Dimensions in mm

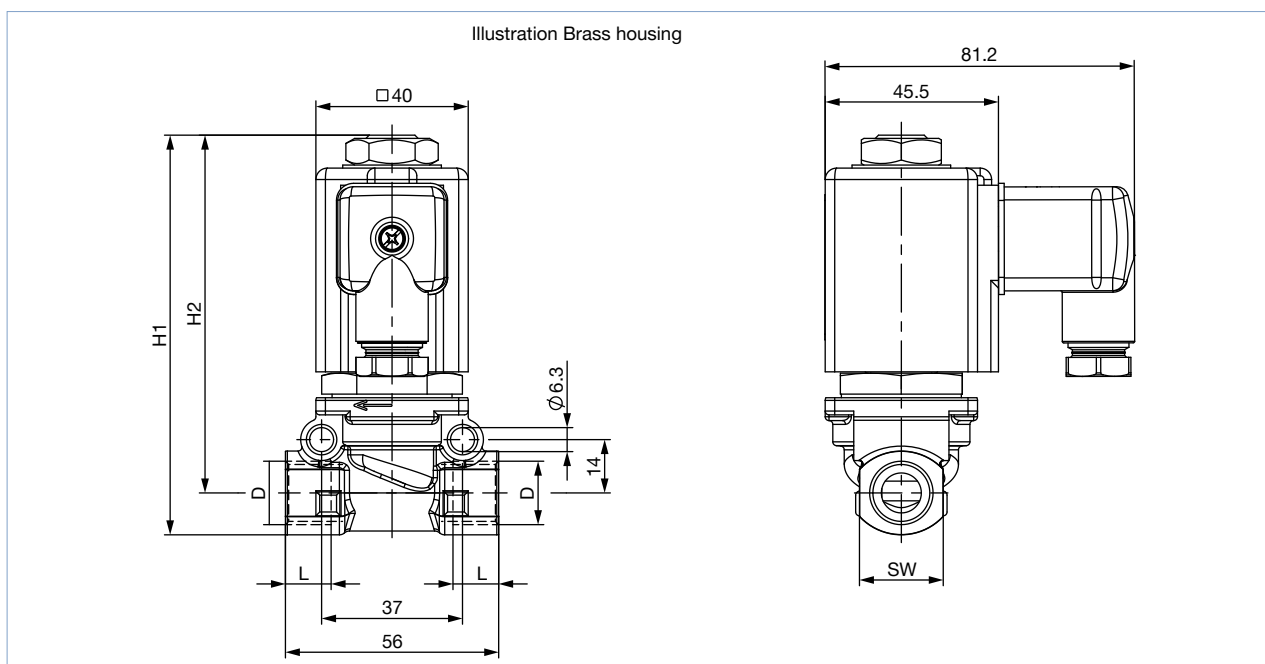


D	L	H1	H2	SW
G ½	14	108.5	93	27
G ¼	12	106		22
NPT ½	13.5	108.5		27
NPT ¼	10	106		22

4.2. Brass version

Note:

Dimensions in mm



D	L	H1	H2	SW
G 1/2	14	107	93	27
G 1/4	12	105	94	22
G 3/8				
NPT 1/2	13,5	107	93	27
NPT 1/4	10	105	94	22
NPT 3/8	10,3			

5. Performance specifications

5.1. Power consumption

Standard coil

DN	Electrical power consumption			Response times			
	Inrush	Hold (hot coil) ^{1.)}		Opening		Closing	
		AC	AC	DC	AC	DC	AC
[mm]	[VA]	[VA/W]	[W]	[ms]	[ms]	[ms]	[ms]
1.0...6.0	35...40	16/10	Ca. 12 (13)	10...20	20...80	20...30	20...30

1.) Value in brackets corresponds to a coil temperature of 20 °C

2.) Response times for standard and high temperature devices

High temperature version

DN	Electrical power consumption			
	CF07 – up to 250°C ambient temperature		CF09 – up to 180°C ambient temperature	
	Cold performance ^{1.)}		Warm performance ^{2.)}	
[mm]	[W]	[W]	[W]	[W]
1.0 ... 6.0	35	15	13	7

1.) Cold performance refers to a coil temperature of 20 °C

2.) Warm performance at max. ambient temperature and 100% duty cycle

6. Ordering information

6.1. Bürkert eShop – Easy ordering and quick delivery



Bürkert eShop – Easy ordering and fast delivery

You want to find your desired Bürkert product or spare part quickly and order directly? Our online shop is available for you 24/7. Sign up and enjoy all the benefits.

[Order online now](#)

6.2. Bürkert product filter



Bürkert product filter – Get quickly to the right product

You want to select products comfortably based on your technical requirements? Use the Bürkert product filter and find suitable articles for your application quickly and easily.

[Try out our product filter](#)

6.3. Ordering chart

Note:

- All valves with stainless steel seat
- A cable plug is included in delivery.
- Other versions on request

Circuit function	Port connection	Orifice [mm]	K _v value water ^{1.)} [m ³ /h]	Pressure range ^{2.)}			Seal material	Article no. per voltage/frequency [V/Hz]			
				DC for gas- es and liquids [bar]	AC			024/DC	024/50	110/50	230/50
					for gas- es [bar]	for liquids [bar]					
A, solenoid valve 2/2 way Direct-acting Normally closed 	Brass body										
	G ¼	1.0	0.03	0...100	0...100	0...100	PTFE	058360	020755	–	067692
		2.0	0.12	0...20	0...60	0...35	FKM	089888	020033	020101	064119
		3.0	0.25	0...10	0...25	0...16	PTFE	052872	058421	058888	046865
		4.0	0.5	0...4	0...12	0...10	PTFE	058796	065454	023897	053188
		5.0	0.65	0...2	0...7	0...6	PTFE	020164	049194	049830	050879
		5.0	0.65	0...2	0...7	0...6	FKM	–	–	–	052424
	G ⅜	4.0	0.5	0...4	0...12	0...10	PTFE	065438	059100	046886	051143
		5.0	0.65	–	0...16	0...6	FKM	–	022551	–	025885
		5.0	0.65	0...2	0...7	0...6	PTFE	020664	057644	023581	050880
		6.0	0.8	0...1	0...5	0...4	PTFE	053764	050389	066222	051324
	G ½ ^{3.)}	4.0	0.5	0...4	0...12	0...10	PTFE	089404	–	089403	076551
		6.0	0.8	0...1	0...5	0...4	FKM	135958	135959	135947	135950
	Stainless steel body										
	G ¼ ^{3.)}	1.0	0.03	0...100	0...100	0...100	PTFE	018004	078420	–	019862
		3.0	0.25	0...10	0...25	0...16	PTFE	021554	018593	–	061010
		4.0	0.5	0...4	0...12	0...10	PTFE	021251	020468	–	023279
		5.0	0.65	0...2	0...7	0...6	PTFE	125097	019991	086924	025250
G ½ ^{3.)}	3.0	0.25	0...10	0...25	0...16	PTFE	019204	059254	–	055506	
	4.0	0.5	0...4	0...12	0...10	PTFE	065684	066932	–	054473	
	6.0	0.8	0...1	0...5	0...4	FKM	022504	052859	067990	054811	

1.) Measured at +20 °C, 1 bar pressure at valve inlet and free outlet
 2.) Overpressure with respect to atmospheric pressure (the pressure rates for liquids are specified on the type plate)
 3.) All versions with mounting bracket included

Further versions on request	
Approval UL, UR, CSA, EEx, CGA/AGA	Analytical Silicon, oil and fat-free version for oxygen
Temperature High temperature version up to 250 °C	Pressure High performance version with high power electronic for higher pressures.
Material Seal material EPDM, NBR, steel	

DTS 1000010917 EN Version: O Status: RL (released | freigegeben | valide) printed: 21.04.2021

6.4. Ordering chart accessories

Mounting set brass body

Note:

- Included in delivery are a mounting bracket and 2 cylinder screws M5 x 35.
- Only for brass body versions
- 37 mm separation between the M5 threaded holes
- 48 mm separation between the Ø 7 bores
- Valve mounting with mounting set see [“4.2. Brass version” on page 6](#)

Description	Article no.
	151287

Mounting set stainless steel body

Note:

- Included in delivery are a mounting bracket and 2 cylinder screw M4 x 6.
- Only for stainless steel body
- 29 mm separation between the M4 threaded holes
- 48 mm separation between the Ø 7 bores
- Valve mounting with mounting set see [“4.1. Stainless steel version” on page 5](#)

Description	Article no.
	260250

DTS 1000010917 EN Version: O Status: RL (released | freigegeben | valide) printed: 21.04.2021

Bürkert – Close to You

For up-to-date addresses
please visit us at
www.burkert.com

DTS 1000010917 EN Version: O Status: RL (released | freigegeben | validé) printed: 21.04.2021

