



## 2/2-way Solenoid Valve for neutral media

- Direct acting
- With hermetic isolation of fluid
- With manual override
- NC and NO circuit function
- Optional with electrical position feedback

Type 0223 can be combined with...



**Type 2508**

Cable plug



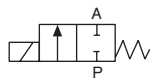
**Type 1078**

Timer unit

The direct-acting valve, Type 0223, is delivered with circuit function, normally closed and normally open. The solenoid actuator is separated from the medium by a double PTFE seal with a small ventilated space. The valve is used for shut-off, dosing, filling and ventilating medium where low pressures are applicable; also suitable for use in technical vacuum.

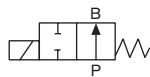
### Circuit function A

2/2-way normally closed valve, direct acting,



### Circuit function B

2/2-way normally open valve, direct acting,



Technical data	
<b>Body material</b>	Brass
<b>Seal materials</b>	NBR, FKM
<b>Medium</b> with NBR with FKM	Neutral liquids e.g. compressed air, water, hydraulic oil, oils and fats without additives, technical vacuum Hot air, per-solution, hot oil, oils with additives, technical Vacuum
<b>Medium temperature</b> with NBR with FKM	-10 up to +90 °C -10 up to +130 °C
<b>Ambient temperature</b>	Max. +50 °C
<b>Viscosity</b>	100 to 21 mm <sup>2</sup> /s
<b>Operating voltages</b>	24/230 V 50 Hz 24/230 V UC 230 V UC Other Voltages on request
<b>Voltage tolerance</b>	±10%
<b>Cycling rate</b>	Max. 6/min with UC
<b>Duty cycle</b>	ED 100%
<b>Electrical connection</b>	Cable Plug (supplied as standard)
<b>Protection class</b>	IP65 with Cable Plug
<b>Coil insulation class</b>	H
<b>Installation</b>	As required, preferably with actuator upright
<b>Response times [ms]:</b> Opening Closing	Measured at valve outlet at 6 bar and +20°C. Pressure relief 0 90% Pressure relief 100 to 10%

### Flow rate: Kv value water [m<sup>3</sup>/h]

Measured at +20 °C, 1 bar pressure at valve inlet and free outlet.

### Pressure values [bar]

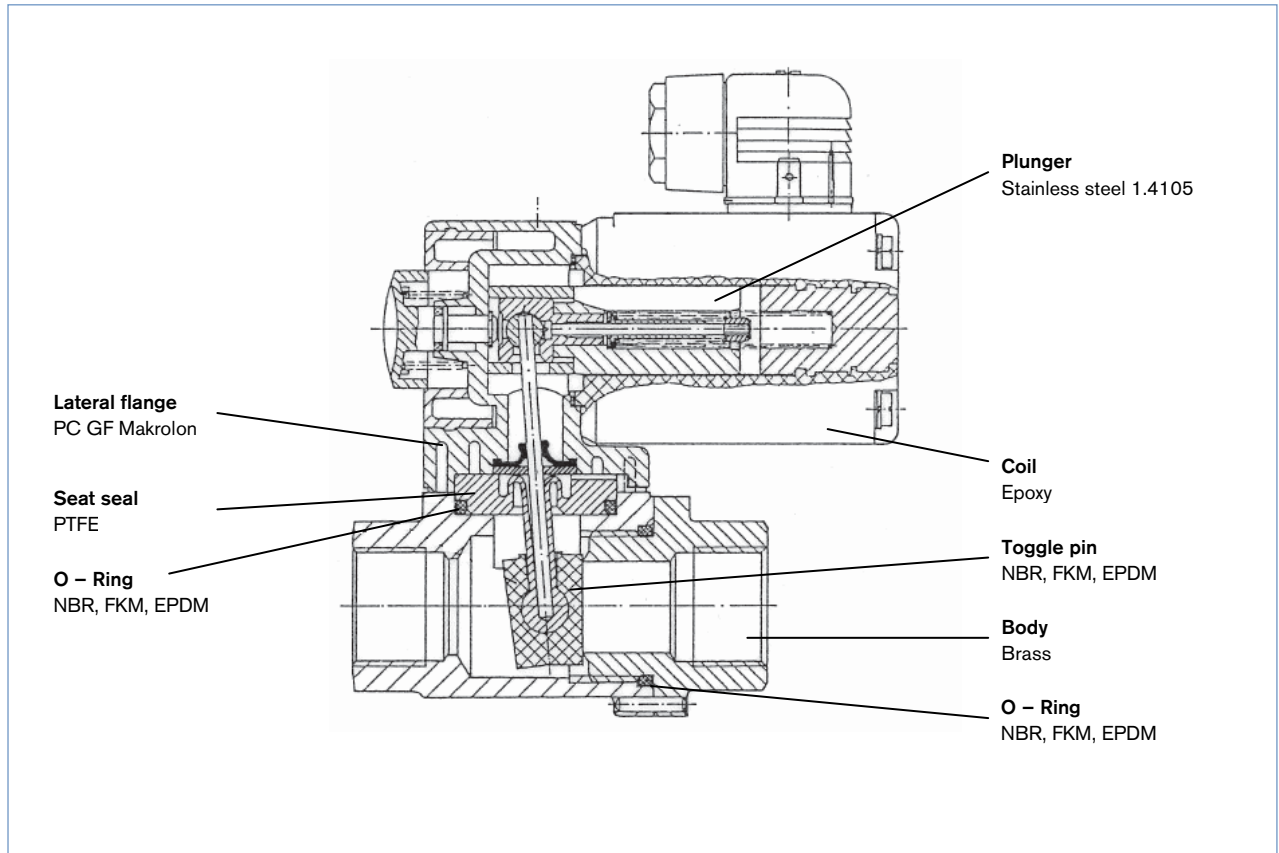
Measured as overpressure to the atmospheric pressure

## Technical data (fort.)

Orifice [mm]	Kv value water [m <sup>3</sup> /h]	Port connection	Pressure range [bar]	Electrical power consumption			Response times		Weight [kg]
				Inrush	[VA]	Opening	closed		
10	2.0	G 3/8	0-3	AC UC	100 VA 100 W	48 VA (16 W)9 W	10 to 20	40 to 60	1.4
15	4.5	G 1/2	0-1						
20	6.0	G 3/4	0-0.5 *						

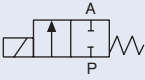
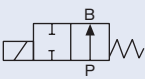
\* not suitable for vakuu operations

## Materials




## Ordering chart for valves (other versions on request)

All valves with manual override, brass body, and with cable plug

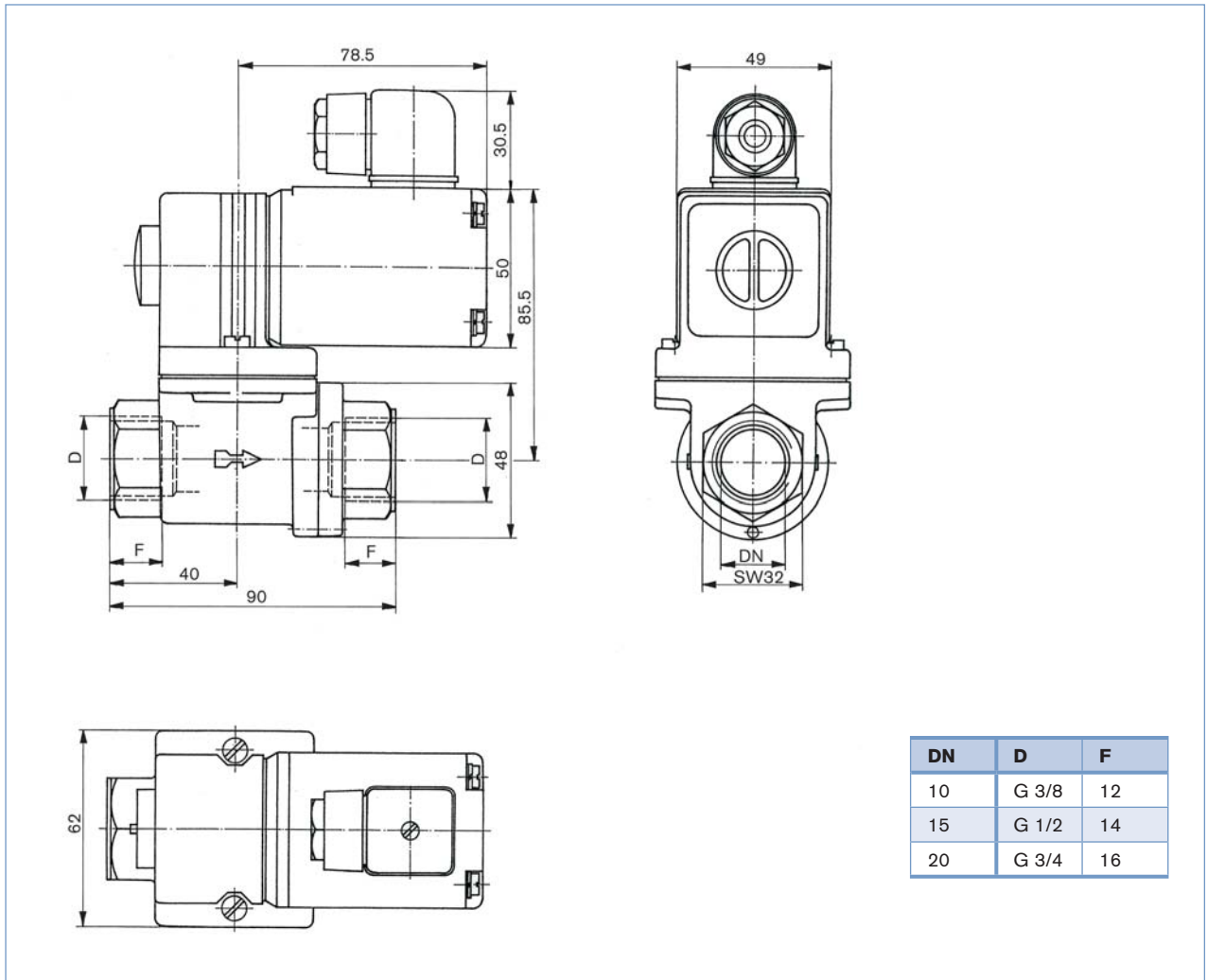
Circuit function	Orifice [mm]	Port connection	Kv value water [m <sup>3</sup> /h]	Pressure range [bar]	Seal material	Voltage/Frequency [V/Hz]	Item no.
<b>A</b> 	10	G 3/8	2.0	0-3	NBR	24/UC	057 475
						24/50	043 047
						230/50	053 059
					FKM	24/UC	054 053
						24/50	048 664
						230/50	044 502
	15	G 1/2	4.5	0-1	NBR	24/UC	054 102
						24/50	062 865
						230/50	052 221
					FKM	24/UC	025 537
						230/50	040 549
						230/50	040 549
20 *	G 3/4	6.0	0-0.5	NBR	24/UC	049 751	
					24/50	063 602	
					230/50	048 490	
				FKM	24/UC	069 752	
					24/50	048 662	
					230/50	048 622	
<b>B</b> 	10	G 3/8	2.0	0-2	NBR	24/UC	059 208
						230/50	051 685
						230/50	051 685
					FKM	24/UC	062 679
						230/50	057 458
						230/50	057 458
	15	G 1/2	4.5	0-1	NBR	24/UC	058 371
						230/50	046 466
						230/50	046 466
					FKM	24/UC	059 360
						230/50	122 747
						230/50	122 747
20 *	G 3/4	6.0	0-0.5	NBR	24/UC	050 461	
					230/50	053 807	
					230/50	053 807	
				FKM	24/UC	067 856	
					230/50	049 527	
					230/50	049 527	

\* versions with orifice 20mm are not suitable for vacuum

 Further versions on request

 Electrical connection  
with electrical position feedback

## Dimensions [mm]



To find your nearest Bürkert facility, click on the orange box →

[www.burkert.com](http://www.burkert.com)