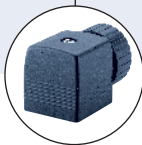




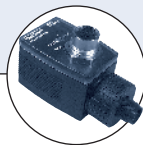
Type 0142 can be combined with...



Type 2508
Cable plug



Type 1078
Timer unit

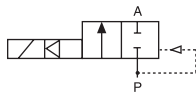


Type 2511/12
ASI cable plug

Servo-assisted solenoid valve with diaphragm, normally closed function. Hermetic isolation of fluid from the actuator. A minimum differential pressure of 7 PSI is required to fully open the valve.

Valves can be mounted or removed radially for a space-saving installation.

Circuit function A



2/2- way valve, normally closed, with 3-way pilot servo-assistance

2/2-way Solenoid Valve for aggressive media, true union, Ø20-63

- Isolating diaphragm between the solenoid and fluid
- Non-metallic valve internals
- Pivoted armature, with lockable manual override
- Simple installation and removal

Technical data

Orifice	DN 15 - 50
Body material	PVC, PVDF (on request)
Inner part valve	PVDF
Seal material	FKM, EPDM
Media with EPDM with FKM	Alkalis, alkaline washing and bleaching lyes Oxydizing acids and substances, salt solutions
Media temperature PVC-body PVDF-body	32°F to 122°F (0°C to +50°C) 32°F to 158°F (0°C to +70°C)
Ambient temperature PVC-body PVDF-body	32°F to 104°F (0°C to +40°C) 32°F to 131°F (0°C to +55°C)
Voltage tolerance	±10%
Duty cycle	100% continuous rating
Electrical connection	Cable plug for Ø 7 mm acc. to DIN EN 175301-803 Form A (supplied as standard)
Protection class	IP 65 with cable plug
Coil insulation class	Class H
Port connection	True union
Installation	as required, preferably with actuator upright

Power consumption

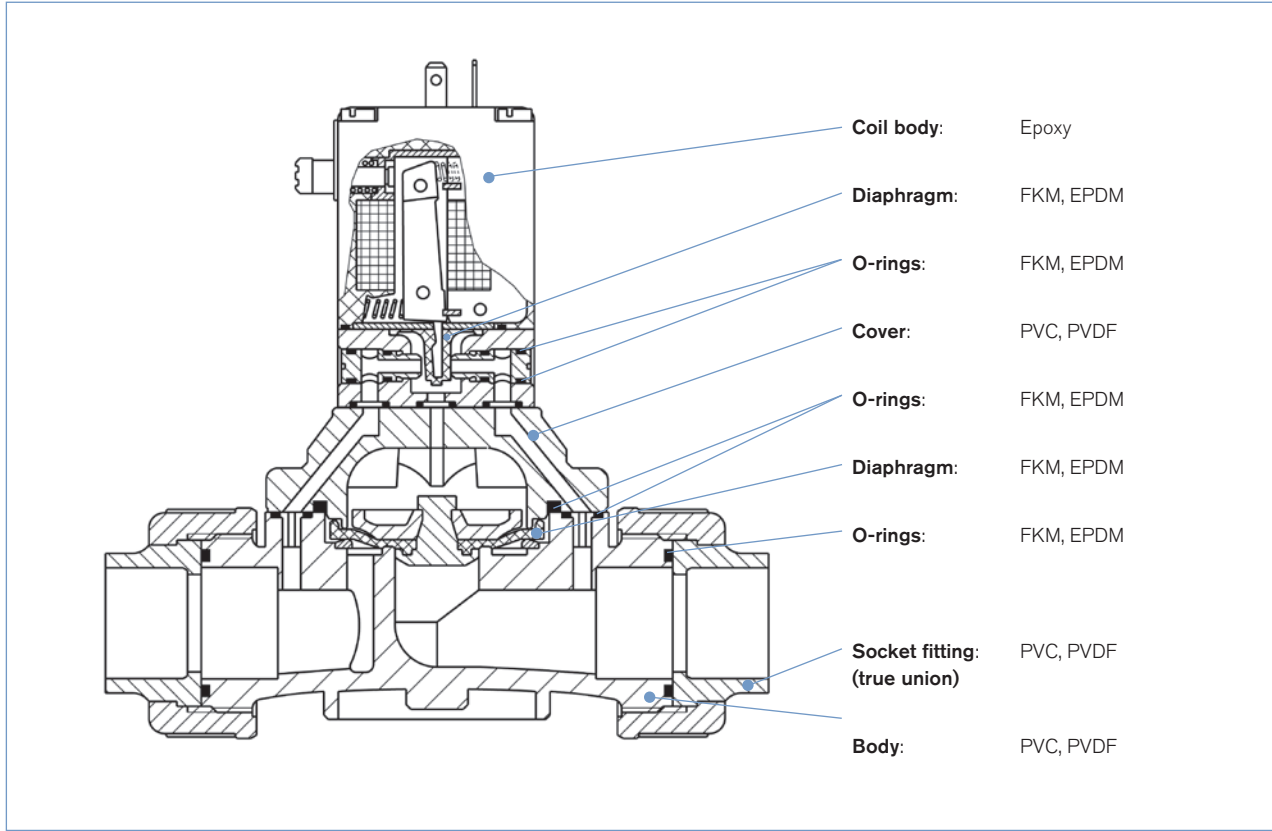
Inrush		Hold (hot coil)	
AC [VA]	DC [W]	AC [VA/W]	DC [W]
20	5	11/5	5

Response times ¹⁾

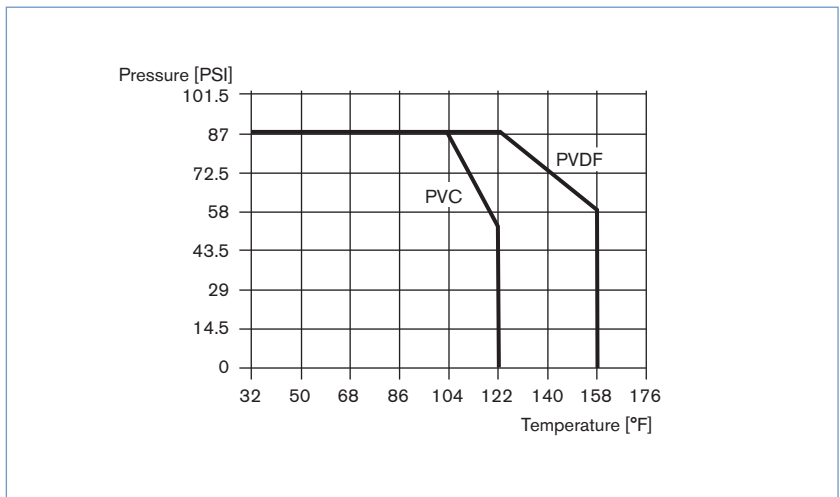
Opening [ms]	100 - 800
Closing [ms]	1000 - 4000

¹⁾ Measured at valve outlet at 87 PSI and 68°F (+20°C) acc. to ISO 12238.
Opening: Pressure rise 0 to 90%, Closing: Pressure drop 100 to 10%

Materials



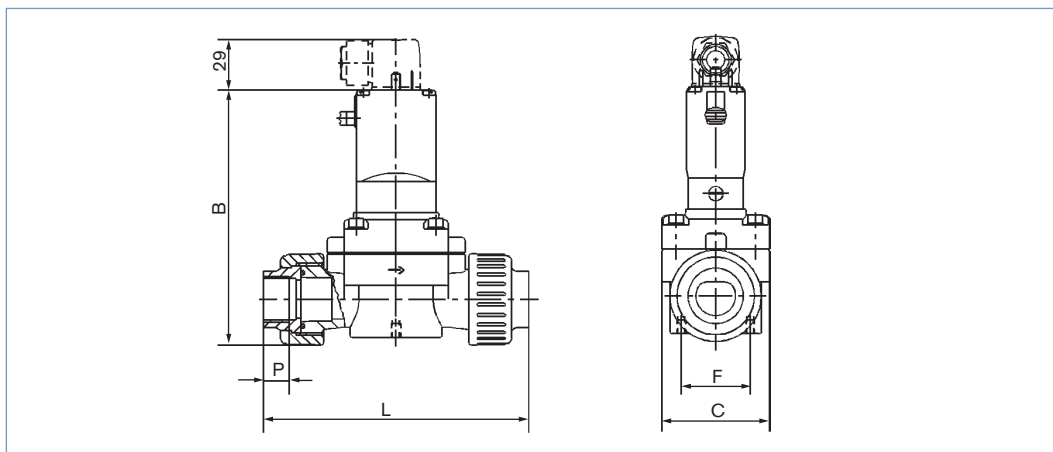
Pressure-Temperature-chart for PVC and PVDF



Ordering chart

Circuit	Pressure Range [PSI]	Body Material	Seal Material	Port Connection	Orifice Value Size [inch]	C _v [gpm]	Voltage/Frequency	Item no.
A	7-87	PVC	EPDM	1/2"	9/16"	5.8	24/DC	453 994
							24/60	454 302
							120/60	453 349
							240/60	457 214
				3/4"	3/4"	7.0	24/DC	453 988
							24/60	453 987
							120/60	453 350
							240/60	US01215
				1"	1"	16.3	24/DC	454 004
							24/60	US00569
							120/60	453 351
							240/60	456 283
			1 1/4"	1 1/4"	18.6	24/DC	US06217	
						120/60	454 102	
						240/60	US00283	
			1 1/2"	1 1/2"	35.0	24/DC	US00165	
						24/60	US01068	
						120/60	453 352	
						240/60	US01055	
			2"	2"	41.9	24/DC	US01634	
						24/60	US00574	
						120/60	453 353	
						240/60	US01454	
			FKM	1/2"	9/16"	5.8	24/DC	454 573
		120/60					454 146	
		240/60					US06525	
		24/DC					US02219	
		3/4"		3/4"	7.0	120/60	453 964	
						24/DC	455 566	
						120/60	455 024	
						24/DC	US05647	
		1"		1"	16.3	120/60	454 247	
						24/DC	US05260	
						120/60	454 232	
						120/60	454 705	
		1 1/4"	1 1/4"	18.6	24/DC	454 909		
					120/60	457 922		
					24/DC	088 655		
					120/60	US01997		
		1 1/2"	1 1/2"	35.0	120/60	123 844		
					120/60	US05588		
					120/60	US05590		
					120/60	US05590		
		2"	2"	41.9	24/DC	088 662		
					24/60	US06442		
					120/60	US05589		
					24/DC	088 661		
		PVDF	EPDM	20mm	9/16"	5.8	24/60	454 909
120/60	457 922							
24/DC	088 655							
120/60	US01997							
25mm	3/4"			7.0	120/60	123 844		
					120/60	US05588		
					120/60	US05590		
					120/60	US05590		
31mm	1"			16.3	24/DC	088 662		
					24/60	US06442		
					120/60	US05589		
					24/DC	088 661		
50mm	1 1/2"	35.0	24/60	150 496				
			120/60	126 550				
			24/DC	089 941				
			120/60	US04203				
63mm	2"	41.9	24/DC	089 946				
			120/60	138 766				
			120/60	126 549				
			120/60	126 549				
FKM	20mm	9/16"	5.8	24/DC	088 662			
				24/60	US06442			
				120/60	US05589			
				24/DC	088 661			
	25mm	3/4"	7.0	24/60	150 496			
				120/60	126 550			
				24/DC	089 941			
				120/60	US04203			
	31mm	1"	16.3	24/DC	089 946			
				120/60	138 766			
				120/60	126 549			
				120/60	126 549			
40mm	1 1/4"	18.6	24/DC	126 549				
			120/60	126 549				
			120/60	126 549				
			120/60	126 549				
50mm	1 1/2"	35.0	120/60	126 549				
			120/60	126 549				
			120/60	126 549				
			120/60	126 549				
63mm	2"	41.9	120/60	126 549				
			120/60	126 549				
			120/60	126 549				
			120/60	126 549				
B	7-87	PVC	EPDM	1/2"	9/16"	5.8	24/60	US05208
							24/DC	US01961
							120/60	US00134
							24/DC	US02490
				3/4"	3/4"	7.0	120/60	US03687
							24/DC	US07088
							240/60	US01600
							120/60	US00147
				1"	1"	16.3	120/60	US01648
							120/60	US01648
							120/60	US01648
							120/60	US01648
1 1/4"	1 1/4"	18.6	120/60	US06523				
			120/60	US01483				
			120/60	US05718				
			120/60	US05344				
1 1/2"	1 1/2"	35.0	120/60	US05344				
			120/60	US05344				
			120/60	US05344				
			120/60	US05344				
2"	2"	41.9	120/60	453 594				
			120/60	453 594				
			120/60	453 594				
			120/60	453 594				

Dimensions [mm]



All versions					PVC-body		PVDF-body	
DN	Pipe Ø	B	C	F	L	P	L	P
15	20	148	62.5	40	148	16	147	16
20	25	148	62.5	40	154	19	151	18
25	32	174.5	85	44.5	190	22	185	20
32	40	174.5	85	44.5	198	26	189	22
40	50	212	115	44.5	254	31	245	25
50	63	212	115	44.5	268	38	253	29