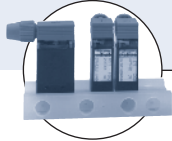




Type 0127 can be combined with...



**Manifolds**



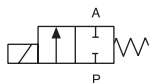
**Type 1054**  
Cable plug

## 2/2 or 3/2-way Miniature Rocker Solenoid Valve

- Ideal for manifold systems
- Robust isolating diaphragm
- Minimal internal volume
- Very low dead volume
- High back-pressure tightness
- Suitable for aggressive fluids
- NC, NO or universal circuit function
- Compact 16 mm design

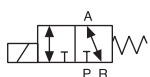
Burkert, the world leader in innovative valve designs for the Medical and Analyzer Industry, first invented the Rocker Solenoid valve over 20 years ago. The Type 0127 leads the industry as one of the most reliable, proven and maintenance free miniature valves in the market today. An inert, robust separating diaphragm, minimal to zero dead volume, low internal volume, and high back pressure make it suitable for handling aggressive chemicals, small samples sizes and costly reagents. The fluid paths were designed to minimize carryover and can be easily inspected for service and maintenance. 2-way and 3-way manifold style valves combined with Burkert's expertise in Microfluidic systems and value added designs are ideally suited for OEMs building Medical Instrumentation.

### Circuit function A



2/2-way valve,  
direct-acting,  
normally closed

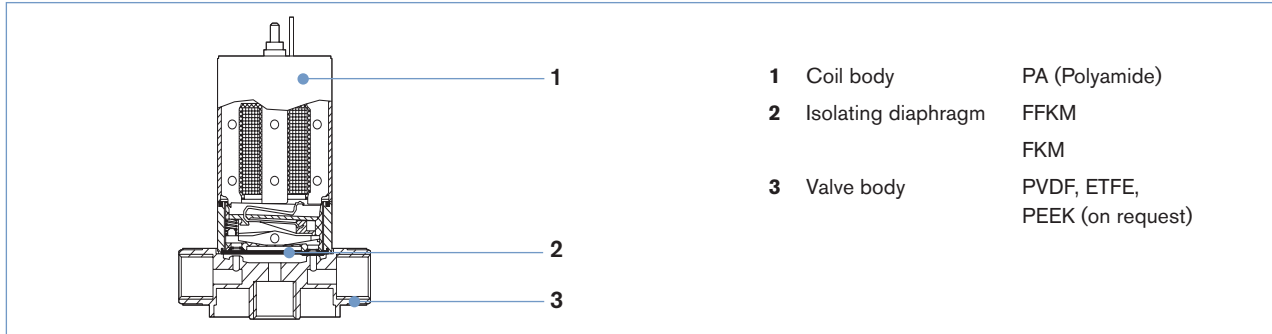
### Circuit function T



3/2-way valve,  
direct-acting,  
universal functions

Technical data	
<b>Orifice</b>	1/16" 1.6 mm
<b>Body material</b>	PVDF, ETFE, PEEK (on request)
<b>Seal material, media</b>	FFKM, FKM, Resistant to neutral and aggressive liquids and gases, see Burkert chemical resistance chart
<b>Media temperature</b>	
FFKM	32°F to 122°F (0°C to +50°C)
FKM	32°F to 140°F (0°C to +60°C)
<b>Ambient temperature</b>	max. 131°F (+55°C)
<b>Internal volumes</b>	Depending on body
with sub-base	68 µl
with G 1/8, NPT 1/8	85 µl
with UNF 1/4" - 28	30 µl
on request	< 10 µl
<b>Operating voltage</b>	12/24 V/DC; 24 V/UC (AC or DC) with LED
<b>Power consumption</b>	3.4 W
<b>Voltage tolerance</b>	±10%
<b>Duty cycle</b>	100% continuous rating
Manifold mounting	If media or ambient temperatures are above 104°F (+40°C): intermittent operation 40% (10 min)
<b>Electrical connection</b>	<ul style="list-style-type: none"> <li>▪ Cable plug Type 1054 (supplied as standard)</li> <li>▪ Two FEP-leads 0.2 mm<sup>2</sup>, length 500 mm</li> </ul>
<b>Protection class</b>	IP 54 with flying leads and single cable plug
<b>Installation</b>	As required, preferably with actuator upright
<b>Response times</b>	According to ISO 12238:2001; Measured at valve outlet with air at 28 PSI and 68°F (+20°C)
Open	approx. 25 ms (Pressure rise 0 to 10%)
Closing	approx. 25 ms (Pressure drop 100 to 90%)

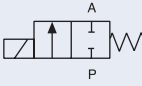
Materials



- 1 Coil body PA (Polyamide)
- 2 Isolating diaphragm FFKM  
FKM
- 3 Valve body PVDF, ETFE,  
PEEK (on request)

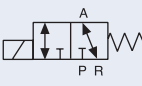
Ordering chart for valves (other versions on request)

PVDF/ETFE valve body, FFKM seal

Circuit function	Port connection	Orifice [mm]	C <sub>v</sub> value water	Pressure range [PSI]	Back pressure [PSI]	Valve body material	Electrical connection	Weight [oz]	Item no. Voltage/Frequency [V/Hz]		
									12/VDC	24/UC <sup>1)</sup>	24/DC
 2/2-way valve direct acting, NC	UNF 1/4-28	1.5mm	0.046	0 - 28	28.0	ETFE	cable plug 1054	2.11	upon request	455 329	455 402
							2 leads 19 inches	2.11	455 298	455 330	455 378
	Sub-base	1.6mm	0.046	0 - 28	28.0	PVDF	cable plug 1054	1.86	upon request	455 137	455 419
							2 leads 19 inches	1.86	455 136	455 138	455 396
	Tube	1.6mm	0.046	0 - 28	28.0	PVDF	cable plug 1054	2.01	upon request	455 145	455 413
							2 leads 19 inches	2.01	121 782	455 146	455 390
	NPT 1/8	1.6mm	0.071	0 - 28	28.0	PVDF	cable plug 1054	2.18	455 155	455 157	455 408
							2 leads 19 inches	2.18	455 156	455 158	455 384
	G 1/8	1.6mm	0.071	0 - 28	28.0	PVDF	cable plug 1054	2.18	upon request	upon request	upon request
							2 leads 19 inches	2.18	upon request	457 515	upon request

<sup>1)</sup> The rectifier, LED and varistor are integrated in the universal current versions (UC).

PVDF/ETFE valve body, STM, FFKM seal

Circuit function	Port connection	Orifice [mm]	C <sub>v</sub> value water	Pressure range [PSI]	Valve body material	Electrical connection	Weight [oz]	Item no. Voltage/Frequency [V/Hz]		
								12/VDC	24/UC <sup>1)</sup>	24/DC
 3/2-way valve direct acting, universal functions, any flow direction	UNF 1/4-28	1.5mm	0.029	0 - 28	ETFE	cable plug 1054	2.11	upon request	455 131	455 404
						2 leads 19 inches	2.11	454 691	455 132	455 380
	Sub-base	1.6mm	0.038	0 - 28	PVDF	cable plug 1054	1.86	upon request	455 167	455 421
						2 leads 19 inches	1.86	454 142	455 168	455 398
	Tube	1.6mm	0.038	0 - 28	PVDF	cable plug 1054	2.01	upon request	455 151	upon request
						2 leads 19 inches	2.01	455 150	455 152	120 685
	NPT 1/8	1.6mm	0.055	0 - 28	PVDF	cable plug 1054	2.18	455 161	455 163	455 410
						2 leads 19 inches	2.18	455 162	455 164	455 386
	G 1/8	1.6mm	0.055	0 - 28	PVDF	cable plug 1054	2.18	upon request	457 516	upon request
						2 leads 19 inches	2.18	upon request	457 517	120 679

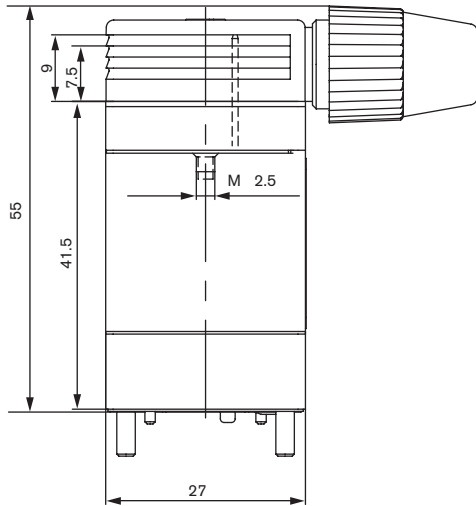
<sup>1)</sup> The rectifier, LED and varistor are integrated in the universal current versions (UC).

Options

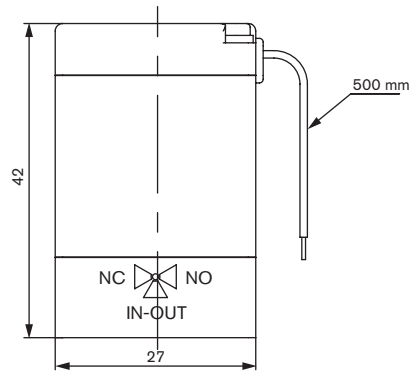
- Function normally open
- Dead volume free design
- Other voltages

Dimensions [mm]

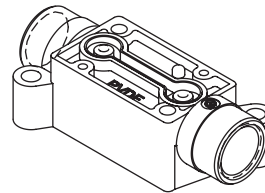
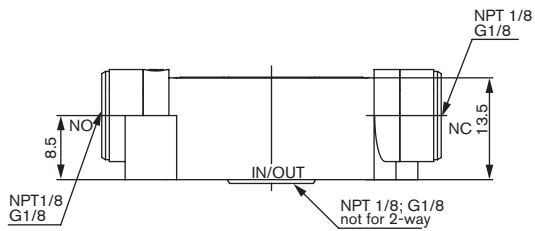
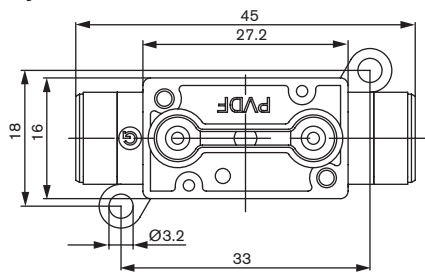
Coil with cable plug Type 1054



Coil with flying leads



Body with threaded connection



Body with UNF 1/4" - 28

