



THIS IS TO CERTIFY THAT

Bürkert Werke GmbH & Co. KG

Christian-Burkert-Strasse 13-17, Ingelfingen 74653 , Germany

is hereby authorized to continue to apply the
3-A Symbol to the models of equipment, conforming to 3-A Sanitary Standards for:

Number 54-02
54-02 (Diaphragm-Type Valves)

set forth below

CIP Models: 2031, 2031K, 2032, 2033, 2731, 2731K, 2732, 2733, 2103, 2104, 2105, 3323, 3324, 3233, 3233K, 3234, 3235, 3325, 3363, 3364, 3365, 8801-DB, 8801-TA, 8801-DG, 8801-DF, 8801-TB, 8801-TC, 8802-DD and 8802-DF; all with order code PE05.

further variants see drawing
next page

VALID THROUGH: **December 31, 2026**

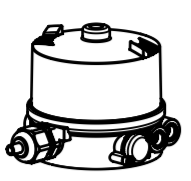
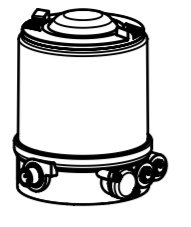
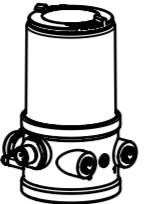

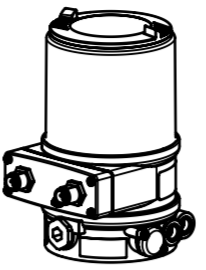
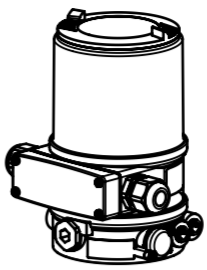
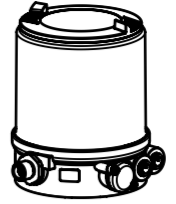
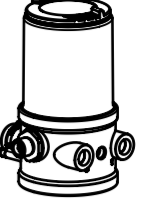
Meri Beth Wojtaszek

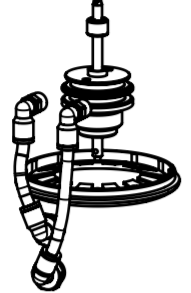

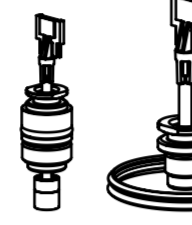

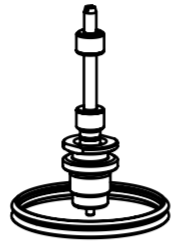
Executive Director, 3-A Sanitary Standards, Inc.

The issuance of this authorization for the use of the 3-A Symbol is based upon the voluntary certification, by the applicant for it, that the equipment listed above complies fully with the 3-A Sanitary Standard(s) designated. Legal responsibility for compliance is solely that of the holder of this Certificate of Authorization, and 3-A Sanitary Standards, Inc. does not warrant that the holder of an authorization at all times complies with the provisions of the said 3-A Sanitary Standards. This in no way affects the responsibility of 3-A Sanitary Standards, Inc. to take appropriate action in such cases in which evidence of nonconformance has been established.

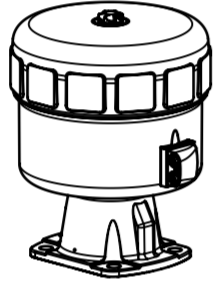
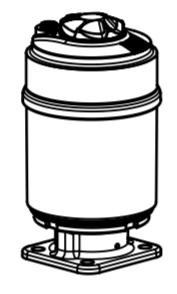
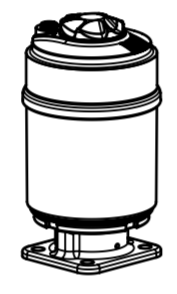
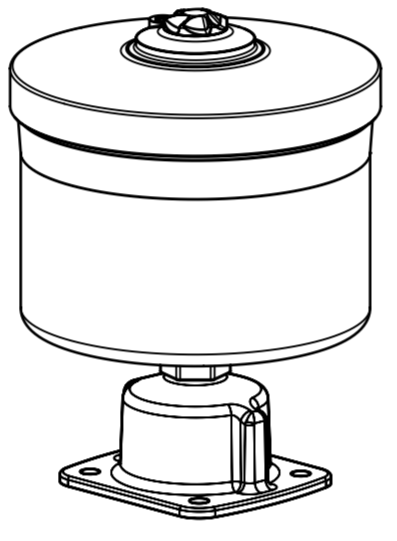
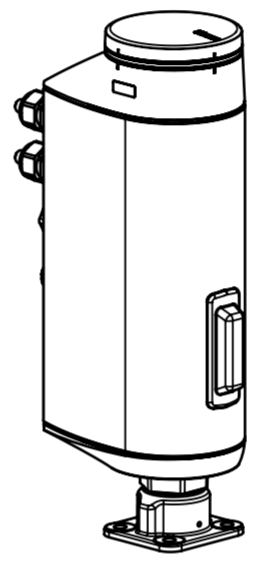
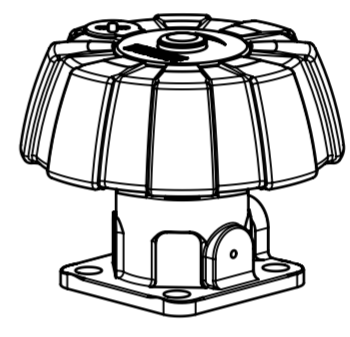
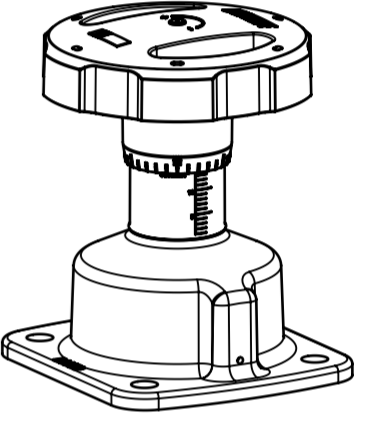
NEXT TPV INSPECTION/REPORT DUE: **August 2028**

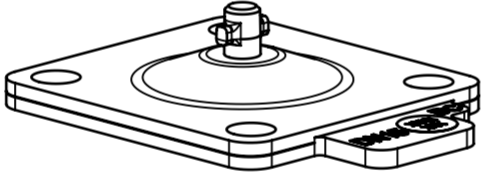
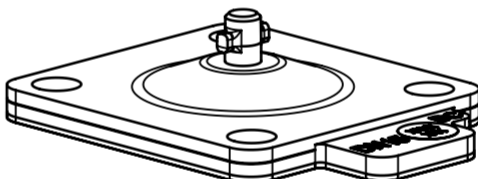
= Systems / Systeme 9000590403

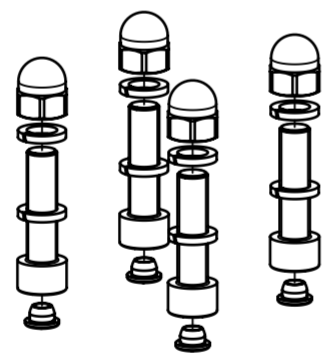
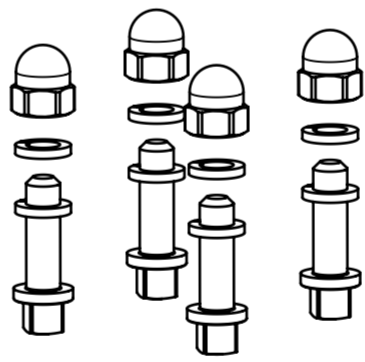
actuation / Ansteuerung	8690 Pneumatic Control / Pneumatische Ansteuerung 	8691 Control head / Steuerkopf 	8695 Control head on/off / Steuerkopf on/off 	8697 Pneumatic Control / Pneumatische Ansteuerung 	8692 Positioner / Positioner mit Stellungsregler 	8693 Positioner with process controller / Positioner mit Prozessregler 	8694 Positioner BASIC 70 mm 	8696 Positioner D50 
-------------------------	---	--	--	---	--	--	---	---

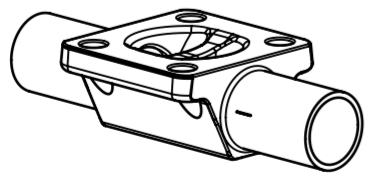
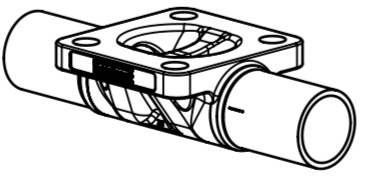
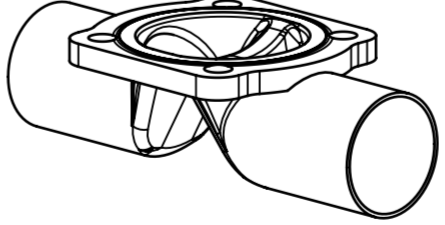
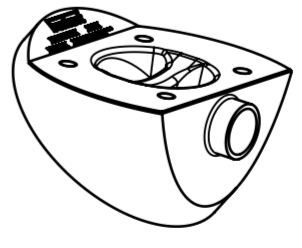
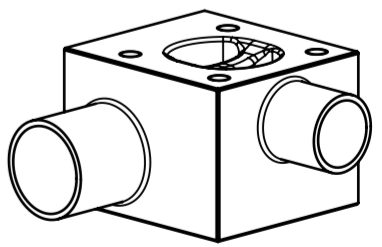
Adaptions-Set	Classic 		ELEMENT 		Classic 		ELEMENT 		Classic + ELEMENT 	
---------------	--	--	--	--	--	--	--	--	---	--

= diaphragm valves with option for extension / Membranventile mit Option zur Erweiterung					= diaphragm valves / Membranventile		
---	--	--	--	--	--	--	--

actuator / Antrieb	Classic		ELEMENT		EVA	Manuell	
	AP2030 pneum. actuator for diaphragm valve (on/off) / Pneum. Antrieb für Membranventile (steuer)  9000570035 / 1000546585	AP2730 actuator for control diaphragm valve (control) / Antrieb für Regel-Membranventile (Regel)  9000582545 / 1000559646	AP09 actuator for control diaphragm valve / Antrieb für Regel-Membranventile  9000569933 / 9000416279	AP12 actuator D225 for process valves / Antrieb D225 für Prozessventile  9000551501 / 1000543190	AE33 el.mot.actuator cont. for process valves / el.mot. Antrieb für Membranventile  - control / Regel - on/off / Steuer 9000570078 / 1000546633	AM3232 Actuator manual operated diaphragm valve / Handantrieb für Membranventile  9000617321 / 1000542215	AM293X / AM297X man. oper. actuator for diaphragm valves / Handantrieb für Membranventile  9000566130 / 9000566336 / 1000546237 / 1000546241

diaphragm / Membran	EPDM 9000343338 	Gylon-laminated / Gylon kaschiert 9000343339 
---------------------	---	--

Connecting set / Verbindungssatz	for 2-way bodies / für 2-Wege-Gehäuse 9000603328 	for block bodies / für Blockgehäuse 9000603333 
----------------------------------	--	--

body / Gehäuse	forged body / Schmiedegehäuse  9000332630	casted body / Gussgehäuse  9000339419	Tube valve body (IHU) / Rohrumformgehäuse (IHU)  9000292809	tank bottom body / Bodenablassgehäuse  9000366904	T-body / T-Gehäuse  9000346375
----------------	--	--	--	--	---

B	01		Illustration corrected	2023-07-26
A	01		Illustration adapted	2023-06-15
-	01		Initial Release / Erstfreigabe	2023-03-29
Version	Revision	Revision-No.	Revision Note	Date (yyyy-mm-dd)
Bürkert Fluid Control Systems D-74653 Ingelfingen			Material	
dimensions without tolerances		Name	Date (yyyy-mm-dd)	Description
Drawn CSP 2022-01-28		Process diaphragm valves		
Linear Dimensions Revised ABD 2023-11-17		Status	Freigabe	
Radii Draw-No.		Project-No.	Model	Document Material-No.
Angles				Dok.type Lang. Sheet 1/1 format V2
Classification-No.				SK04 DRZ ML SW
Scale:		Repl.for:	Document-Id. 9000556717	Var.BOM: <input type="checkbox"/> Mass: 0.00 g

This document and all information herein is the exclusive property of Bürkert and is submitted on a confidential basis. The recipient agrees not to reproduce any part of the document, to return it upon request and that no disclosure of the document or the information herein will be made to a third party without prior written consent of Bürkert.
 DRZ 9000556717 DE - Version: B Status: RL (released / freigegeben) printed: 29.04.2026